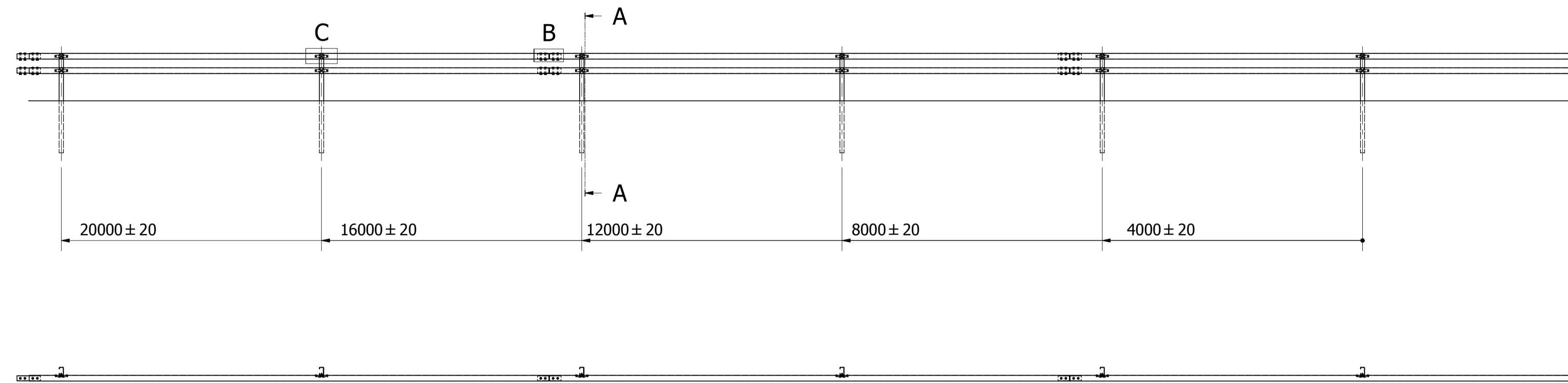


**REGULATION**

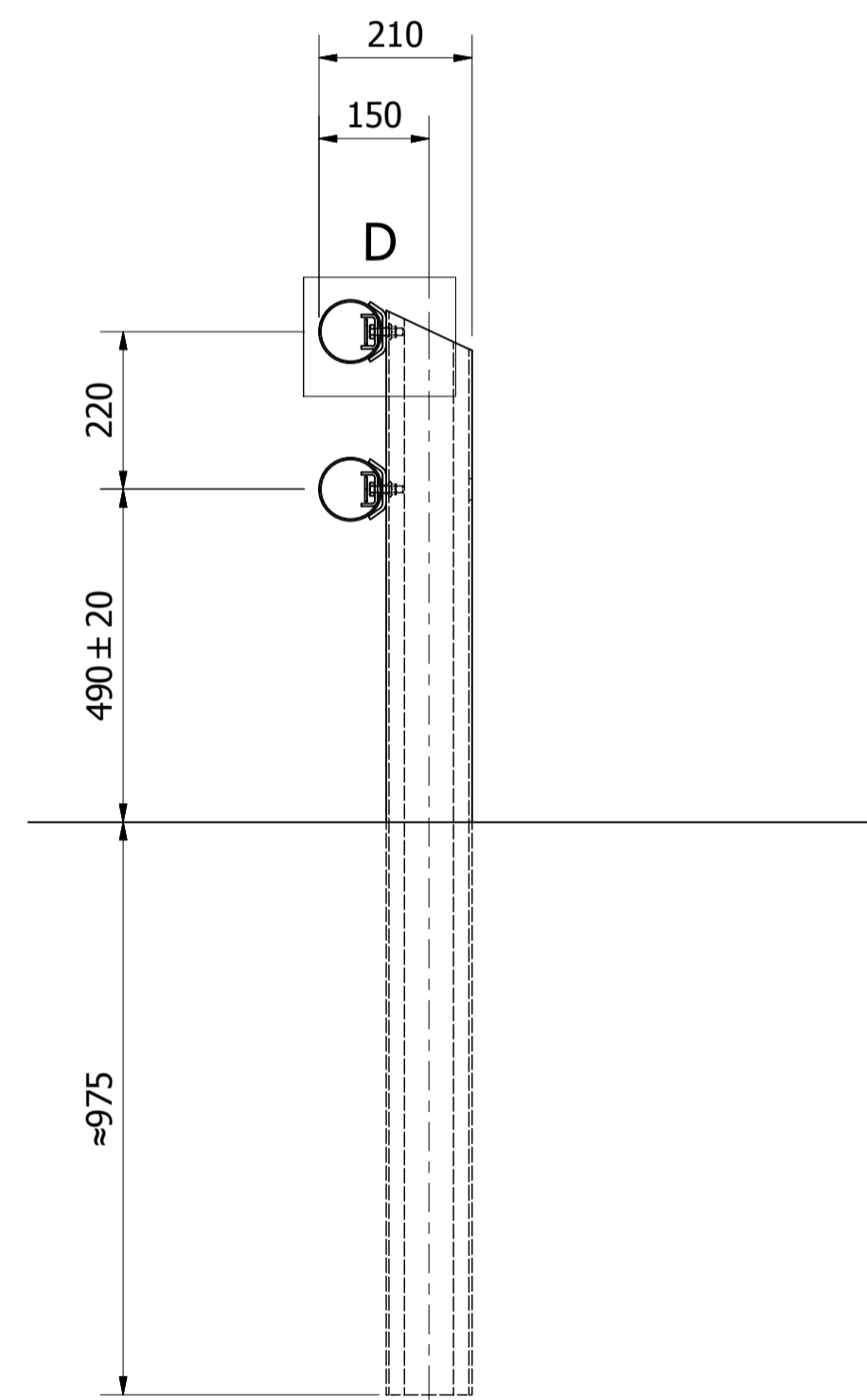
TESTED ACC. TO SS-EN 1317-2 (CONTAINMENT LEVEL N2)

FACTORY PRODUCTION CONTROL ACC. SS-EN 1317-5

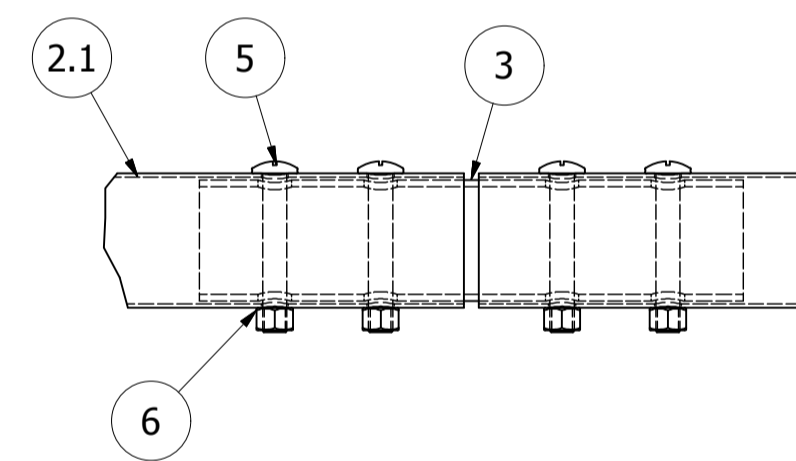
HOT DIP GALVANIZING ACC. TO SS-EN ISO 1461



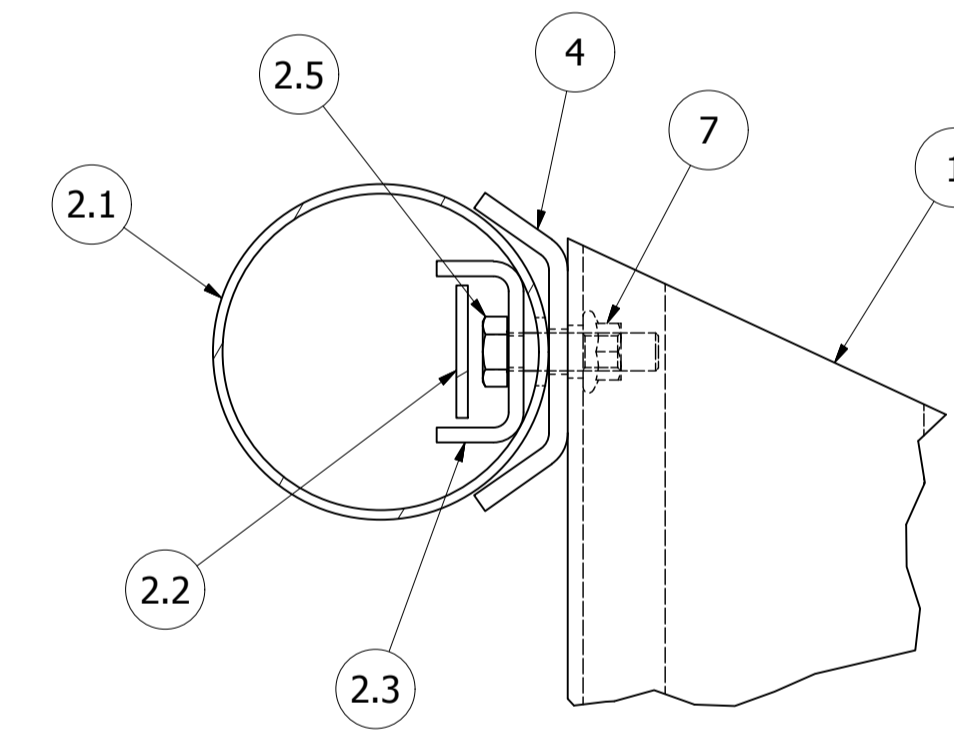
← TRAFFIC DIRECTION



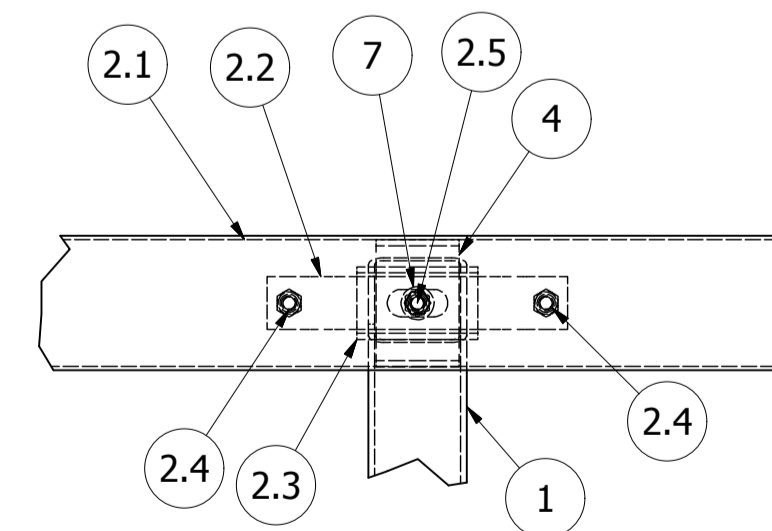
A-A (1 : 10)



B (1 : 5)



D (1 : 2)



C (1 : 5)

1	R N2 POST	L=1715	8012222
2.1	R N2 SAFETY RAIL	L=7990	8012208
2.2	Nordic R INNER BRACKET	T=3	8012231
2.3	Nordic R N2 INNER U-BRACKET	T=4	8012232
2.4	BOLT	M10x20	121100200
2.5	BOLT	M10x40	122100400
3	Nordic R N2 JOINT L=360mm	L=360	8012209
4	Nordic R N2 V-WASHER	T=5	8012230
5	BOLT	M16x105	122161050
6	NUT	M16	120160000
7	FLANGE NUT	M10	120100001
ITEM	DESCRIPTION	DIM.	NOTE

Designed by	Checked by	Approved by	Date	Scale	Size
		FS	2018-09-23	1:50	A1
			Nordic R N2		
			Item Number	Edition	Sheet
			300000010 NO	0	1 / 1