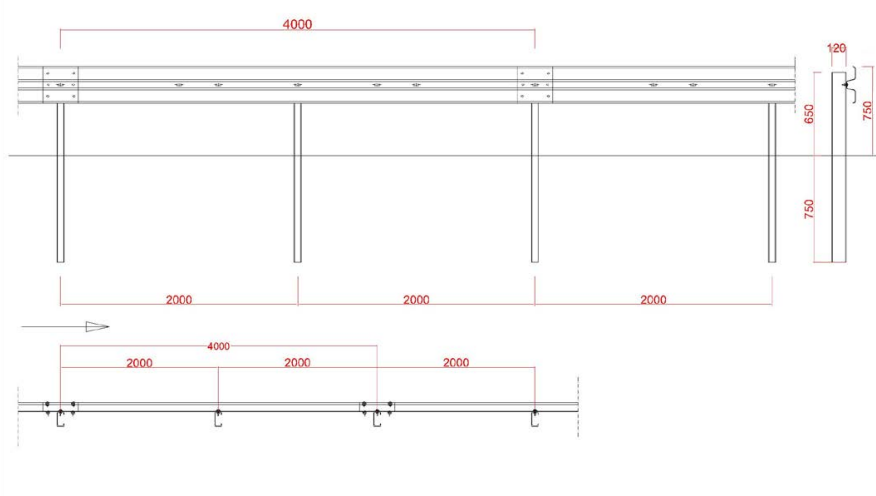


## THE INSTALLATION OF 2,00 MT POST SPACED H1W4 GUARDRAIL (ANTG-H1 2,0)



Initial Type Test (ITT)	TB11 & TB42
Containment Level	H1
Working Width (m)	$1,0 < W \leq 1,30$
Class of Working Width	W4
Acceleration Severity Index (ASI)	A
Characteristic material of the system	S235 JR & S275 JR & S355 JR
Modular system length (m)	4,00
Post distance (m)	2,00
Construction width (m)	0,18
Construction height from road surface (m)	0,75
Test length (m)	60,00
Tested system foundation	Rammed

Prepared By

Approved By

**THE INSTALLATION OF 2,00 MT POST SPACED H1W4 GUARDRAIL (ANTG-H1 2,0)****GENERAL INFORMATION****REQUIREMENTS OF THE ASSEMBLY PERSONNEL**

The installation must only be undertaken by trained and qualified personnel. Installation firms obtain a special technical advisor from the manufacturer to support the project.

**USAGE COMPLIANCE**

The Restraint System is designed for installation on road traffic areas according to national regulations. It is intended to protect occupants of errant vehicles on the roadway, to protect third parties and can be installed in central reserves and side lanes as well as on verges.

**TECHNICAL INFORMATION****BOLT CONNECTIONS**

Fit nuts manually and then tighten with torque wrench. All fixtures have to be fitted vertically to the connecting parts.

<b><i>Bolt</i></b>	<b><i>Torque Value</i></b>
<i>M16x27</i>	<i>140 Nm</i>
<i>M10x45</i>	<i>20 Nm</i>

Table 1

**COATING DETAILS**

The minimum coating thickness for steel parts shall be in accordance with EN ISO 1461 and for screws and nuts shall be in accordance with EN ISO 10684.

Prepared By	Approved By
-------------	-------------

**THE INSTALLATION OF 2,00 MT POST SPACED H1W4 GUARDRAIL (ANTG-H1 2,0)****PREPERATORY MEASURES****WORK PROTECTION**

Provide the required personal protective clothing - which are reflective clothing, head, ear hand and foot protection - and use during installation works.

**INSTALLATION TOOLS**

The following tools are required:

- Truck with telescope crane
- Pile driver
- Drill with drill bits up to 24 mm
- Torque key up to 160 Nm with sockets
- Plumb rule

The work also can be facilitated by using alternative tools, equipment and machinery as necessary.

**TRAFFIC MANAGEMENT**

Traffic management measures must be taken in accordance with the national regulations. The construction site must have sufficient space for:

- System components
- Pile driver
- Truck with telescope crane
- Wide space for the assembly crew

**FOUNDATION**

*\* Before beginning the ramming works, information must be acquired regarding any utility lines (cables, pipelines, etc.). The instructions regarding protection of cables as issued by the utility companies must be adhered to.*

Before beginning the ramming of the posts, the beams are placed on the ground in regards to the setting level. The connection holes of the beams should be positioned from round type to drope type on the traffic direction.

The posts are rammed into the ground with the closed side towards the traffic direction and with a distance of 2,00 m and to a depth of 0,75 m with the hydraulic ram and the hammer for corresponding post cross section.

Prepared By

Approved By

## THE INSTALLATION OF 2,00 MT POST SPACED H1W4 GUARDRAIL (ANTG-H1 2,0)

### INSPECTION

#### CHECKING THE ASSEMBLY

The beams must overlap in the direction of driving. The posts are installed with the closed side towards the traffic direction. The bolt fittings must be tight. Ensure that the section corresponds with the system drawing.

#### MAINTAINING THE INSTALLATION TOLERANCES

Basically, the system has to be installed in accordance with the technical documentation (post foundation and assembly drawing). The tolerances listed in the Table 2 should be used only for exceptional cases.

<i>Reference measure</i>	<i>Tolerances</i>	<i>Remarks</i>
<i>Post spacing in longitudinal direction</i>	$\pm 40 \text{ mm}$	
<i>Top of Beam</i>	$\pm 40 \text{ mm}$	<i>With reference to height from road surface</i>
<i>Post distance</i>	$40 \text{ mm}$	
<i>Post deviation from alignment</i>	$\pm \%10$	<i>Post distance</i>

Table 2

#### CLEAR BUILDING SITE

Remove all building material and every piece of refuse. Carry out a visual inspection even if the installation roadway is perfectly free of objects. After the inspection, report completion of the system to the client.

#### OTHER INFORMATION

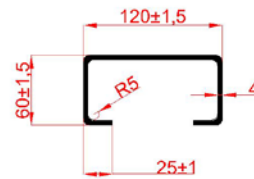
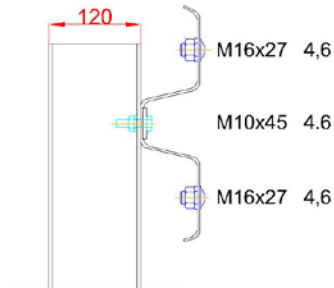
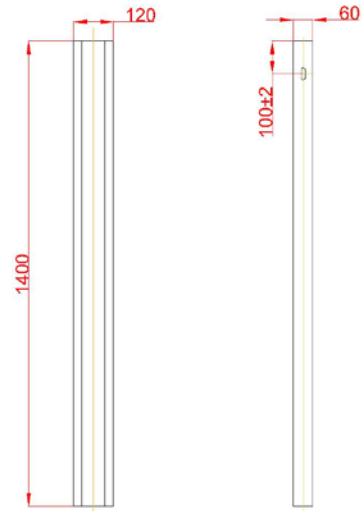
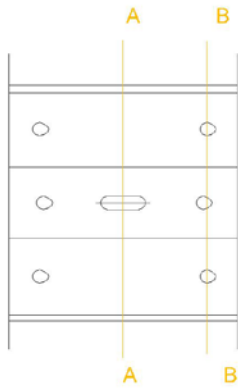
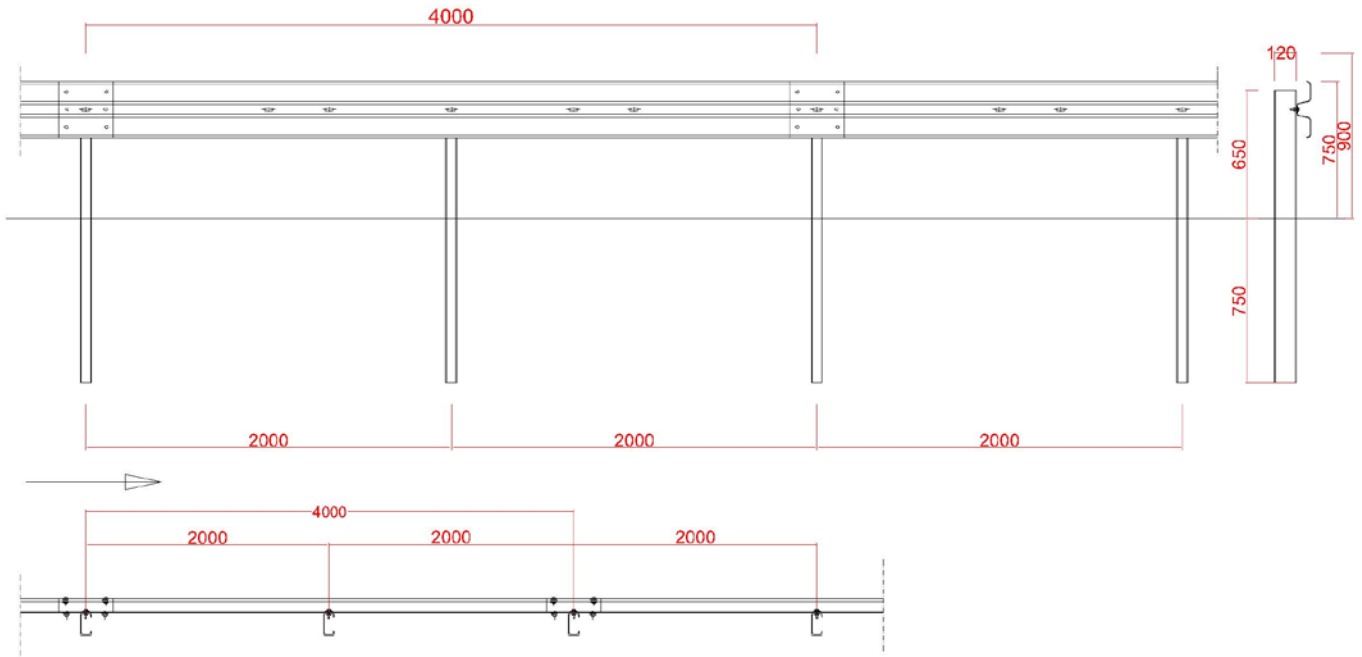
In case the assembly deviates from preceding requirements without consultation of the manufacturer, the liability of the product passes from the manufacturer to the installer.

Prepared By

Approved By



## THE INSTALLATION OF 2,00 MT POST SPACED H1W4 GUARDRAIL (ANTG-H1 2,0)



**A-A SECTION**

**B-B SECTION**

Prepared By

Approved By



**ANTAKYA  
GALVANIZ**

## INSTRUCTION

Document No :AKEMOGLU-01

Page No :6/7

### THE INSTALLATION OF 2,00 MT POST SPACED H1W4 GUARDRAIL (ANTG-H1 2,0)

<i>Product Description</i>	<i>Grade</i>	<i>Quantity (pcs)</i>
<i>Post, C120x60x25, 1.600 mm, 4,00 mm (terminal)</i>	<i>S275 JR</i>	<i>2,0</i>
<i>Beam, Profile B, 4.300 mm, 2,50 mm</i>	<i>S275 JR</i>	<i>1,0</i>
<i>Connection Plate, Ø12</i>	<i>S235 JR</i>	<i>2,0</i>
<i>M16x27, Round Head Bolt</i>	<i>8.8</i>	<i>6,0</i>
<i>M10x45, Hexagon Head Bolt</i>	<i>8.8</i>	<i>2,0</i>
<i>M16 Hexagon Nut</i>	<i>ISO 4032 Class 8</i>	<i>6,0</i>
<i>M10 Hexagon Nut</i>	<i>ISO 4032 Class 8</i>	<i>2,0</i>

Prepared By

Approved By

**THE INSTALLATION OF 2,00 MT POST SPACED H1W4 GUARDRAIL (ANTG-H1 2,0)**

THE ASSEMBLY CHECKING FORM			
Date		State/Province/City	
Work Description			
Team Captain:		Installation Tools:	
Assembly Team		1	
		2	
		3	
		4	
		5	
Working Road:		Location:	
<b>Used Equipments</b>		<b>Piece</b>	<b>Tracking Number</b>
1			
2			
3			
4			
5			
6			
7			
8			
9			
10			
<b>ATTENTION : ADD THE PLAN TO THIS DOCUMENT!</b>			
<b>CONTROL</b>			
Name, Surname:		Date:	
		Sign:	
INCOMPATIBILITIES (The following inconveniences need to be fixed)			
1			
2			