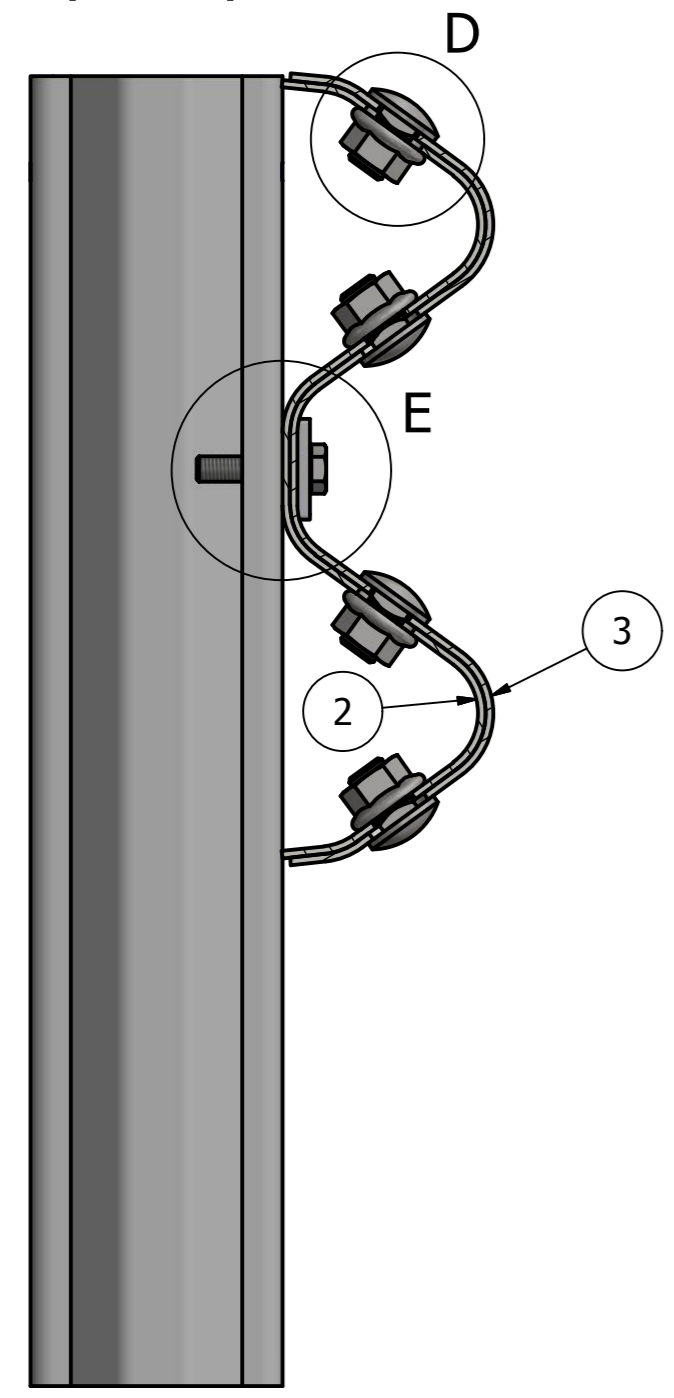
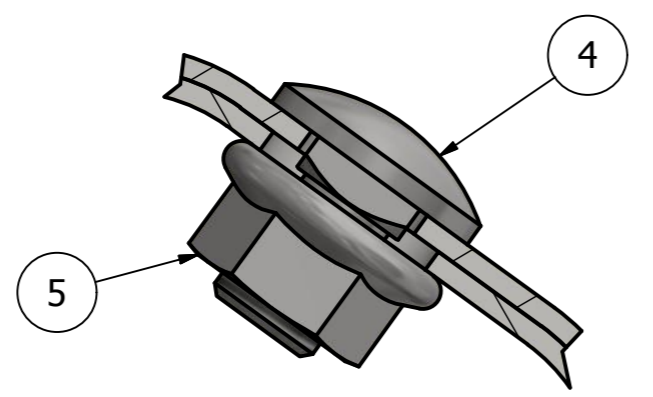


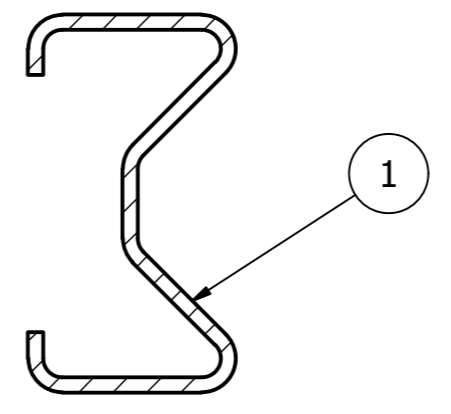
A-A (1:3)



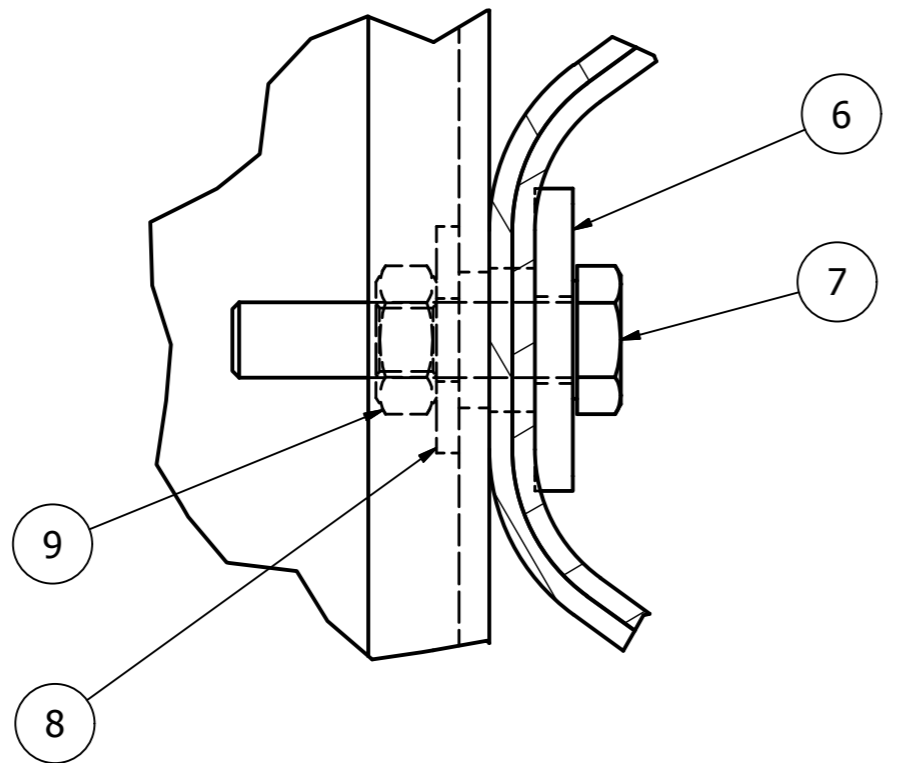
D (1:1)



B-B (1:2)



E (1:1)



PARTS LIST		
ITEM	PART NUMBER	TITLE
1	9723516	Autovern Sigmastolpe H=1,95m
2	9723501	Autovern standard W-skinne L=4m_inside
3	9723501	Autovern standard W-skinne L=4m_outside
4	9723531	Autovern skrue M16x25 for skjøting av stålskinner
5	9723533	Autovern flensmutter DIN 6923 M16
6	9723541	Autovern skive firkant 115x40x5 for mont på sigmastolpe
7	9723539	Autovern skrue DIN 931 M10x45 Hot dip galv
8	9723542	Autovern skive firkant 30x30x3 for mont på sigmastolpe
9	9723543	Autovern mutter DIN 934 M10 Hot dip galv

Designed by Piotr Bakula	Checked by	Approved by Jarle Rogn Jacobsen	Date 10.11.2014
-----------------------------	------------	------------------------------------	--------------------

Samferdsel W-profiles installed on sigma post cc2m

Edition A Sheet 1 / 1