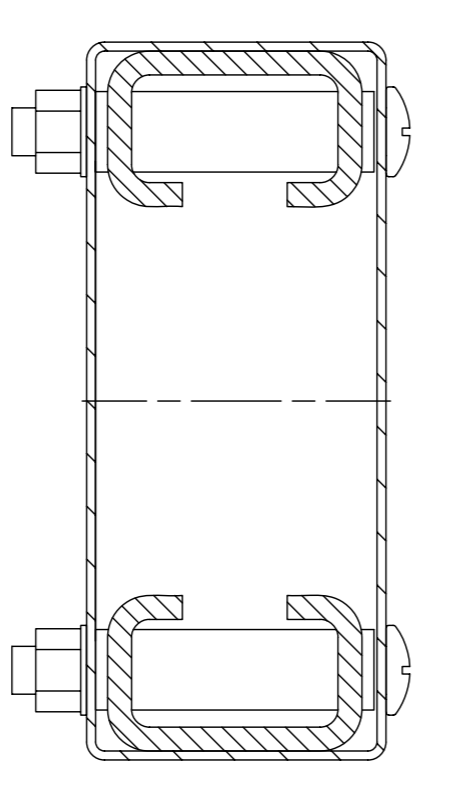
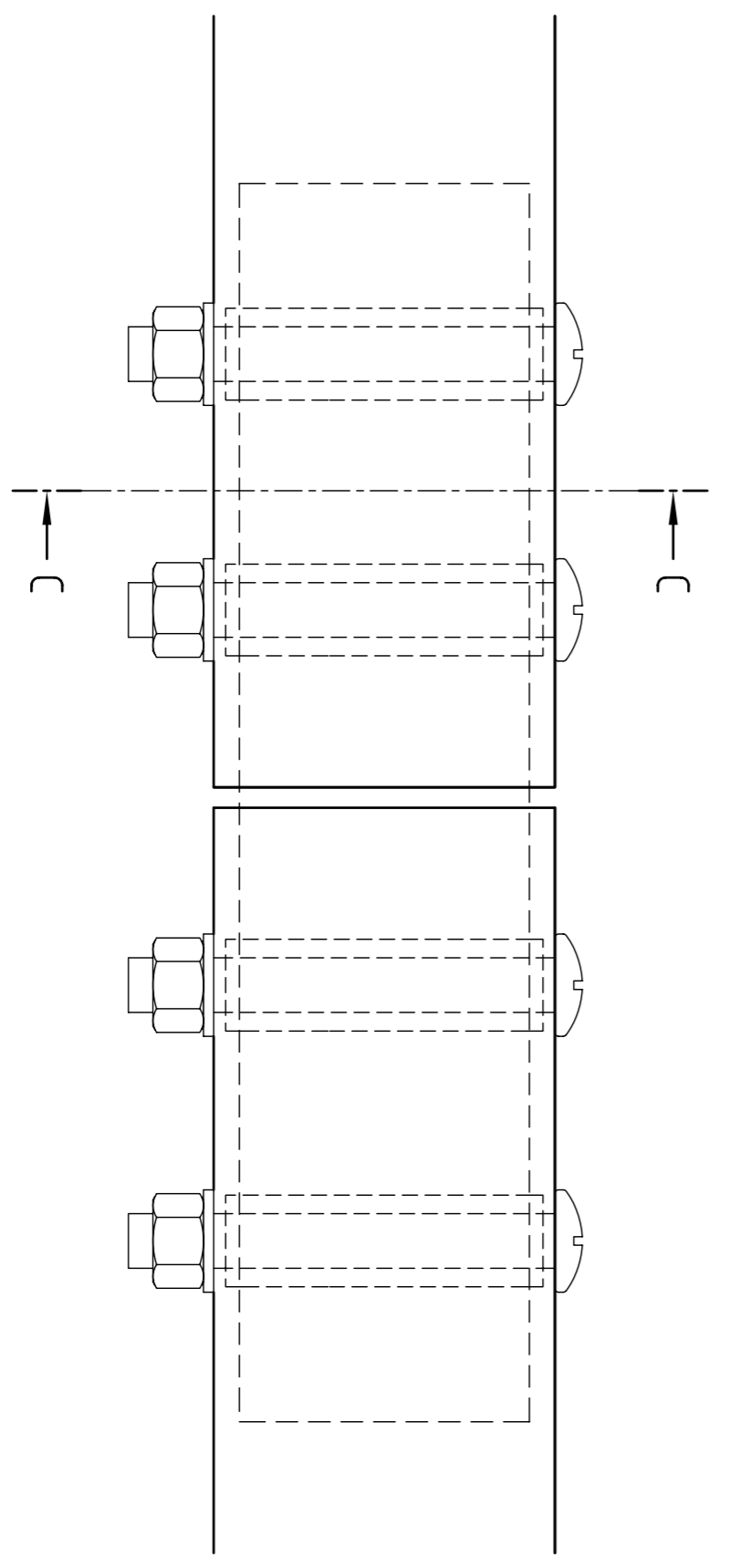
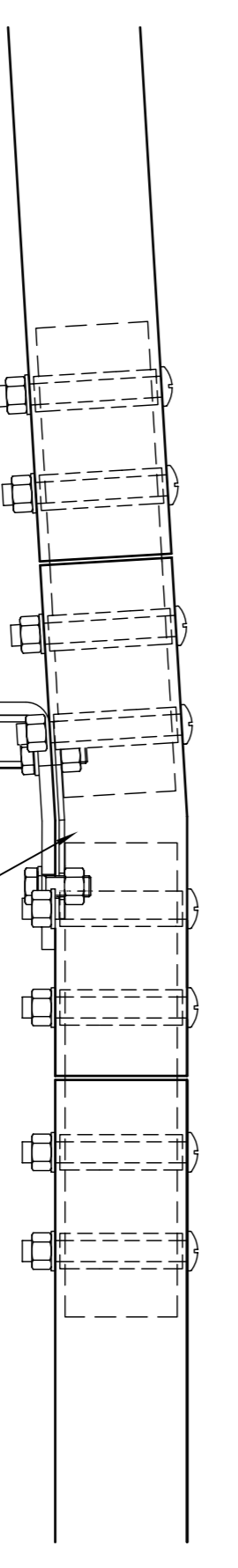
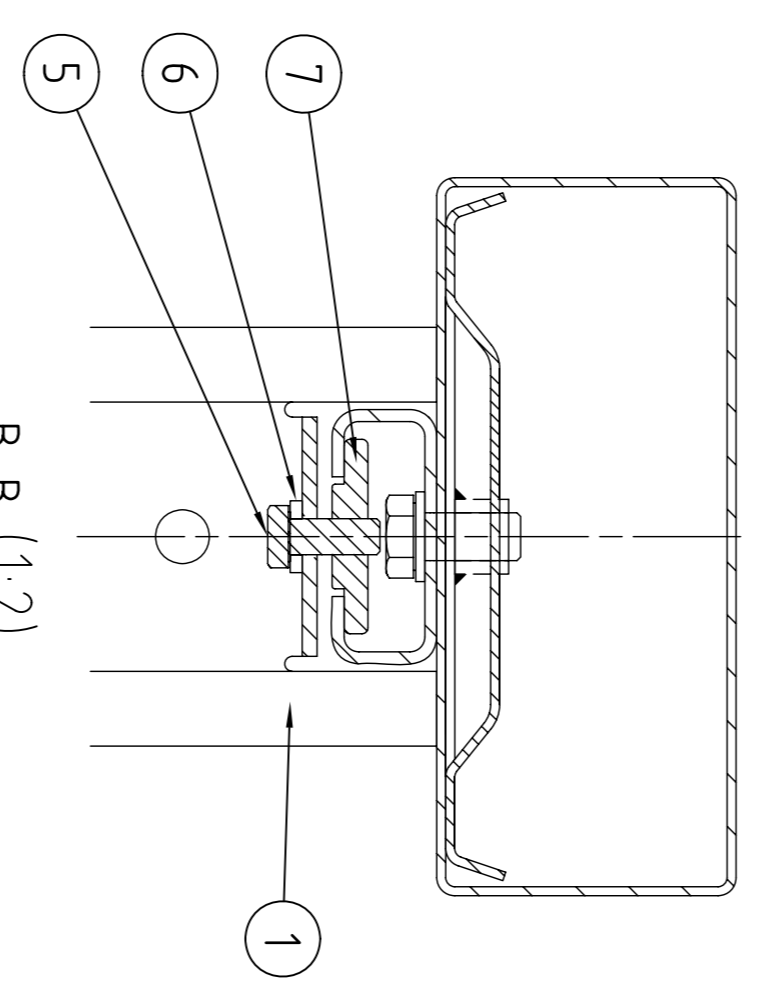
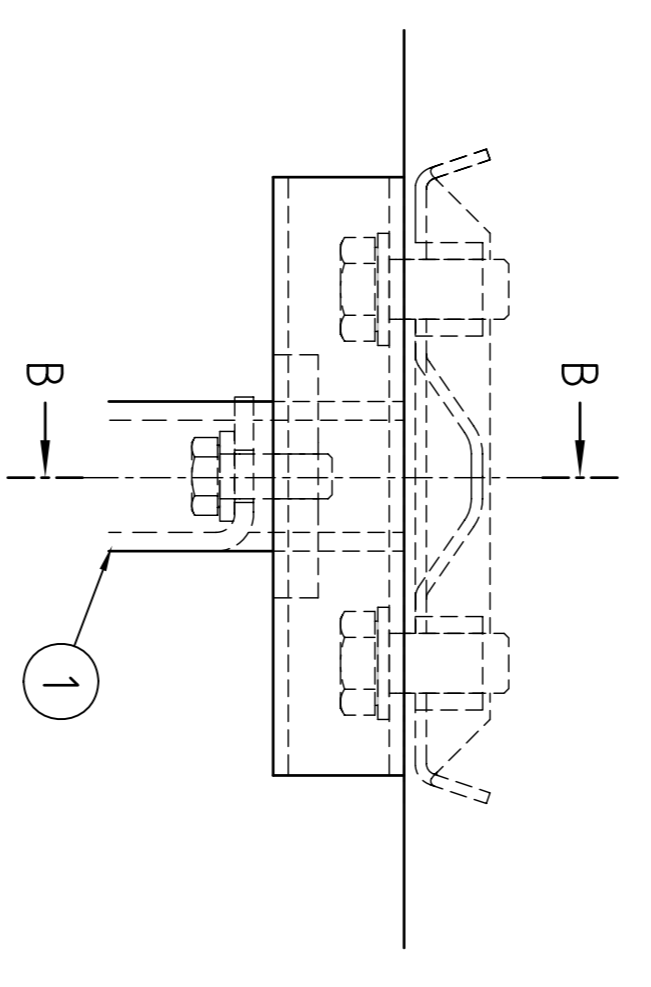
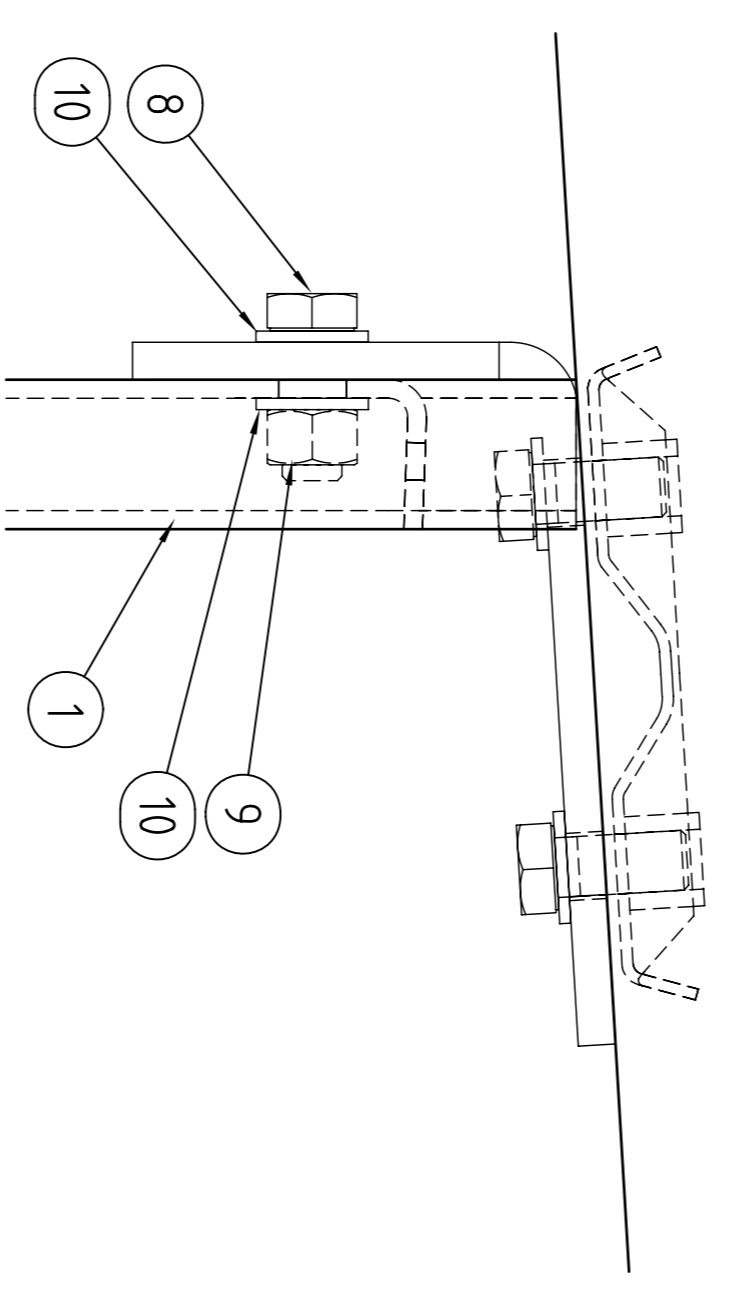


Top view



| Item No. | Qty | Description | Material | Dimension | Replaces | Note |
|----------|-----|----------------------------|----------|-----------|----------------|------|
| 11 | 1 | Transition pipe to anchore | | | 89 20 203 A | |
| 10 | 1 | Washer 17x30x3 | | | 11 26 17 34 00 | |
| 9 | 1 | Nut M16 | | 8 | 11 23 16 00 00 | |
| 8 | 1 | Screw M16x45 | | 8 8 | 11 20 16 04 50 | |
| 7 | 1 | Connector plate | | | 89 20 505 | |
| 6 | 1 | Washer 13x24x4 | | | 11 26 13 24 02 | |
| 5 | 1 | Screw M12x30 | | 8 8 | 11 20 12 03 00 | |
| 4 | 1 | Second square pipe | | | 89 20 2021 A | |
| 3 | 1 | Squarepipe assembly 6m | | | 89 20 202 A | |
| 2 | 1 | Squarepipe assembly 8m | | | 89 20 201 A | |
| 1 | 1 | C-post | | | 89 20 301 | |