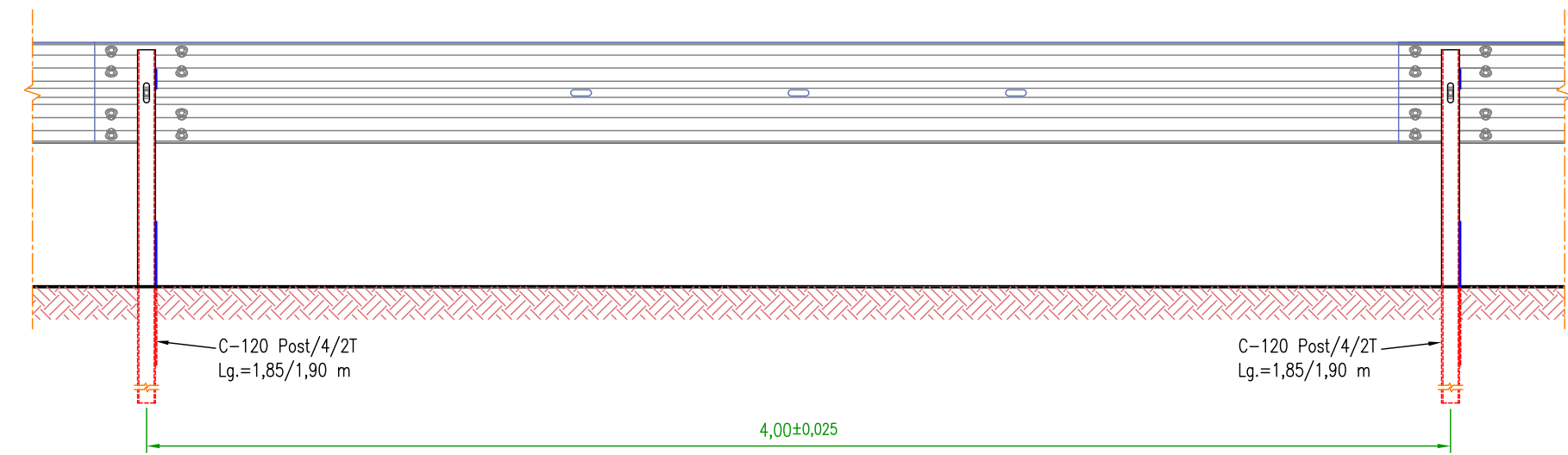
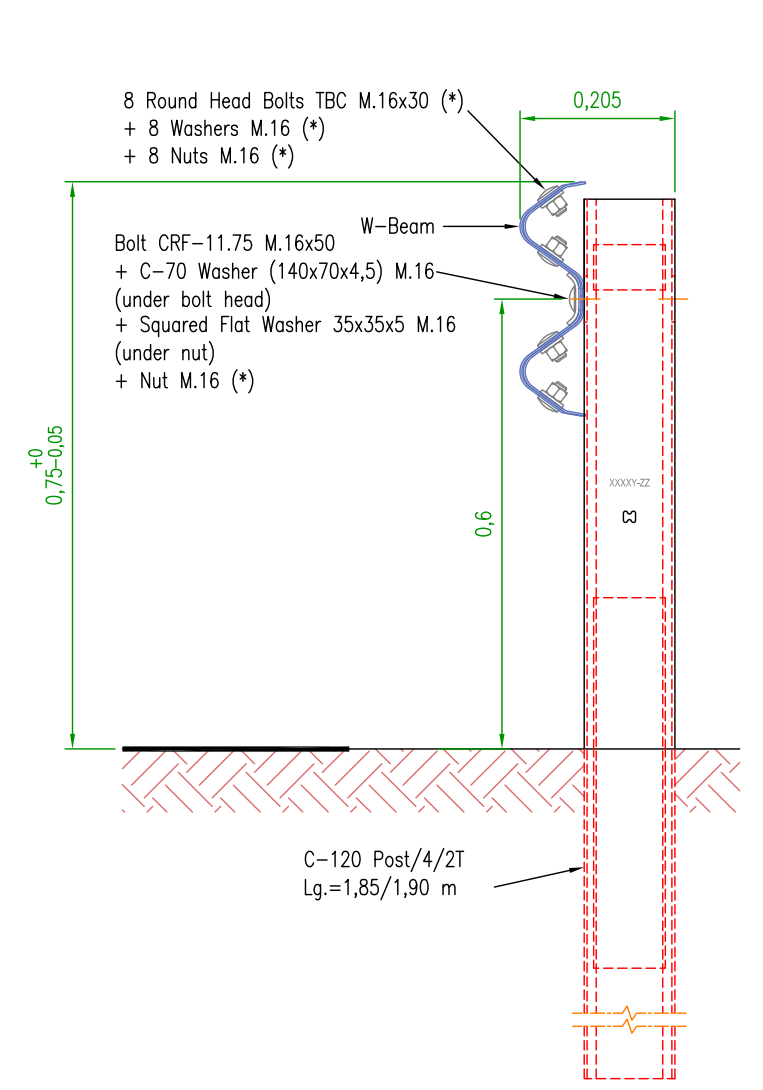


**FRONT ELEVATION**

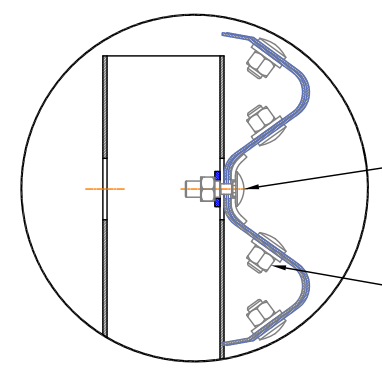


**REAR ELEVATION**

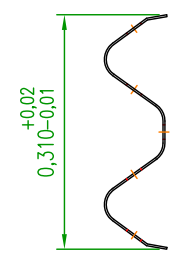


**SECTION A-A**

**Detail C**



**SECTION B-B'**



**Cross section of beam**

- Bolt CRF-11.75 M.16x50
- + C-70 Washer (140x70x4,5) M.16 (under bolt head)
- + Squared Flat Washer 35x35x5 M.16 (under nut)
- + Nut M.16 (\*)
- 8 Round Head Bolts TBC M.16x30 (\*)
- + 8 Washers M.16 (\*)
- + 8 Nuts M.16 (\*)

Note (informative): Round Head Bolt TBC M.16x30 (\*) Washer M.16 (\*)

Material complying the Spanish Standard UNE 135122

Note (informative): Nut M.16 (\*)

Material complying the Spanish Standard UNE 135122 (UNE-EN ISO 4034)

Dimensions in m

	DATE	NAME	SIGNATURES
Draw	08-08-2023	Jonathan Cordero P.	
Review	08-08-2023	Diego Santiago G.	
Accept	08-08-2023	Antonio Amengual P.	

SCALE: **BMS4BR-L1 SINGLE STEEL GUARDRAIL**  
**GENERAL DRAWING (Post Lg 1,85 m / 1,90 m)**

Drawing N°: **BMS4BR-L1-080823-NOR-002**  
 Replace to:  
 Replaced for: