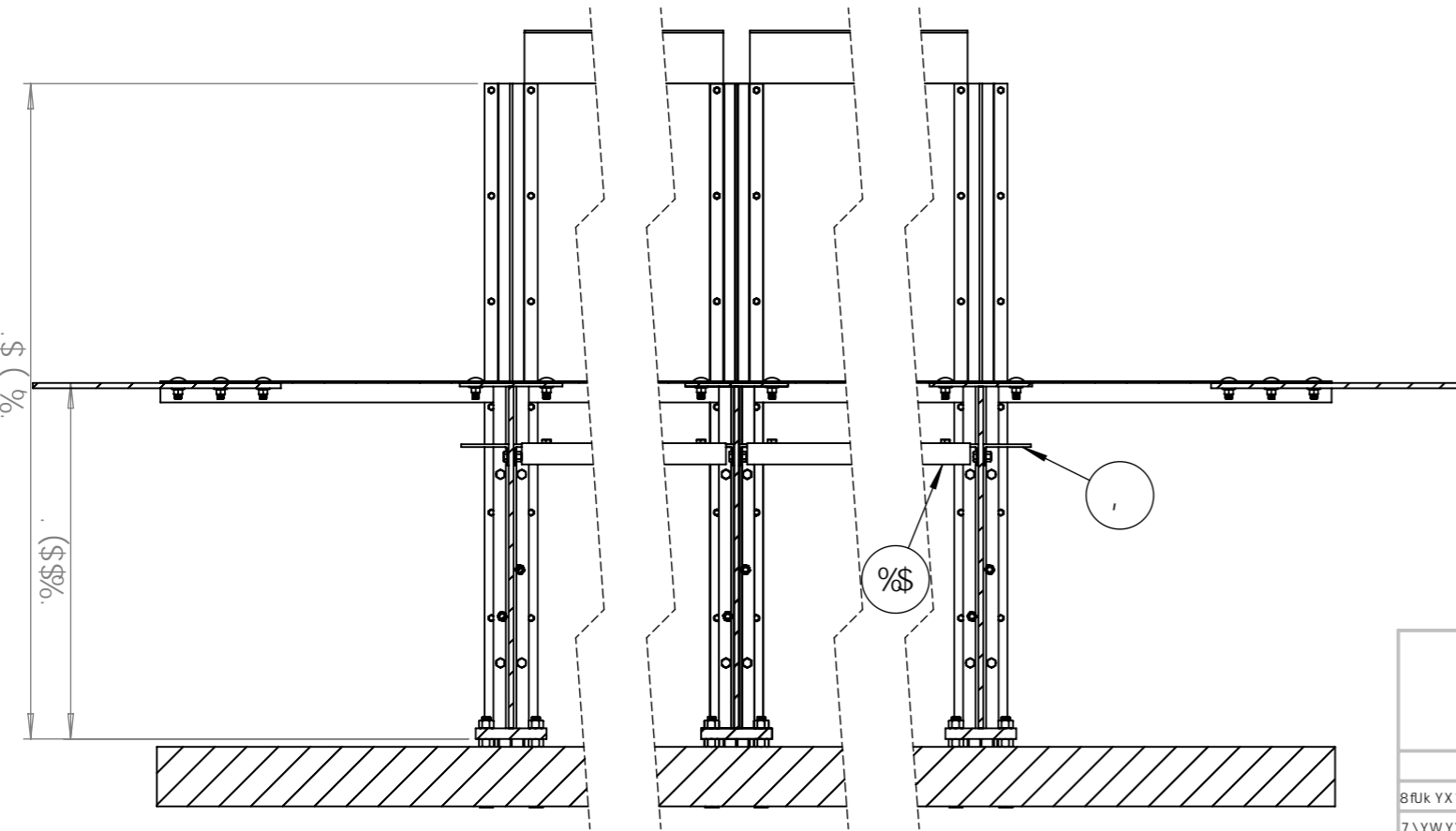
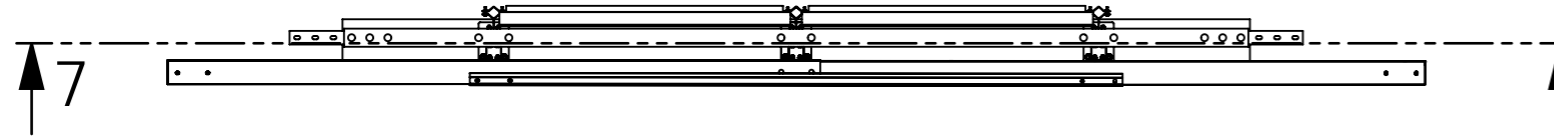
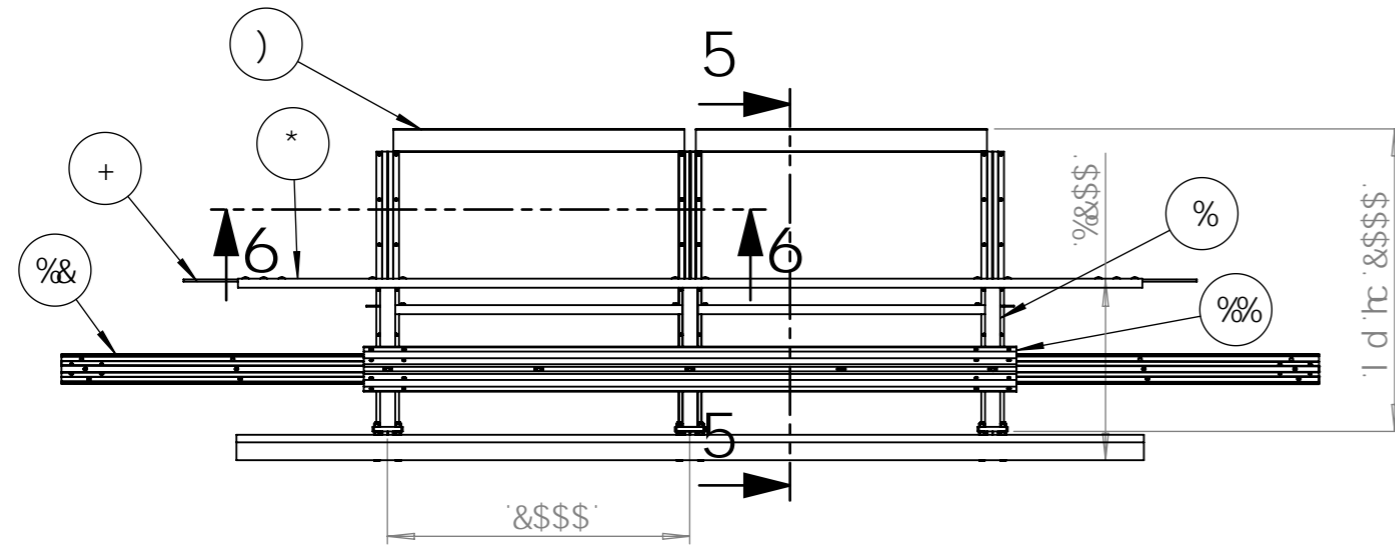
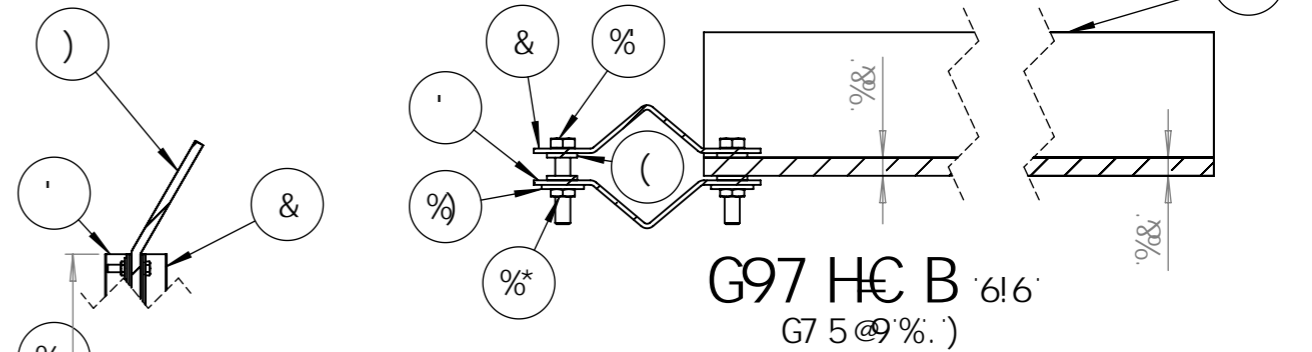


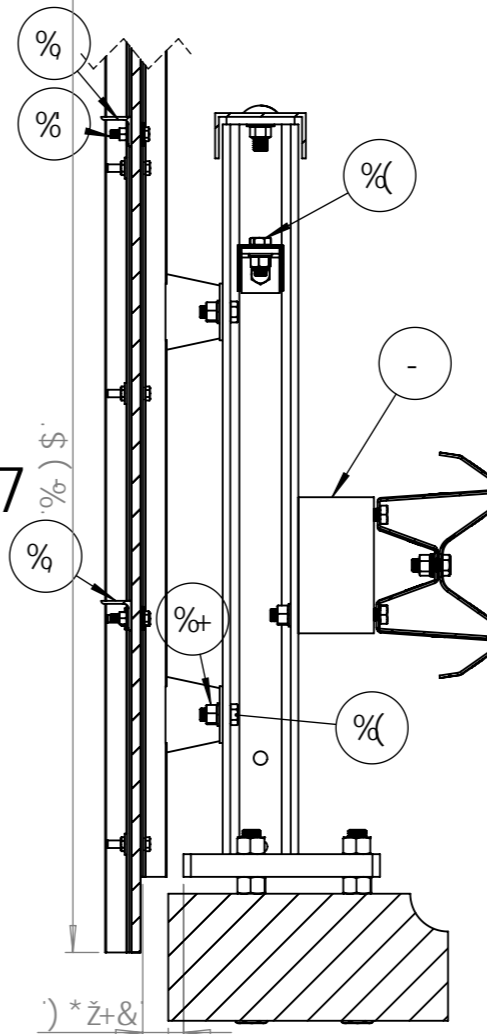
7 ca a Ybh
 #fjYVca a YbXYX'rc XY'j Yf'h Y hUbgdUfYbhd'c' mWUfVcbUHY 'd' UHYgk jA U'dUHYfbzXi Y'rc Vjfx'dfchYVWjcb'



G97 H€ B 7!7
 G7 5@%. &\$




G97 H€ B 6!6
 G7 5@%.)



G97 H€ B 5!5
 G7 5@%.)

#PA BI A 69F	D5FHB5A 9
%	GJ J %? \$&!% \$S6H@!%\$\$\$ '9Yj Uh'cb 'Dc gi %\$\$\$a a 'Zcf 6H&@
&	; GD!6H&@DS\!%\$: fcbh6H'dc gh&\$\$\$
'	; GD!6H&@DS\!%\$ FYUF'6H'dc gh%) \$
(9!gfjd 'GY Z5Xj Ygjj Y 'GYU''9D8A '9! I'
)	Dc mWUfVcbUHY '&\$\$\$! &\$\$\$! %&
*	GJ J !? \$!) * '<UbX 'FU]' * a
+	GJ J !? \$!) + '<UbX 'FU]' Wc bbYWHjcb 'd' UHY
,	GJ J %? \$&!% \$!\$('7 cbbYWHjcb 'd' UHY 'ga U''
-	GJ J %? \$*!' \$' <I 'D'gdUWf
%\$	GJ J %? \$*!' %\$ 'Dc gh'Wc bbYWH'f'gX
%%	; g\$%\$% !%K 'd'fc ZY
%&	(\$\$, '!' 'A 'D'fc ZY' a a (' %' a a
%	€C '(\$%+!' A %\$!) , ,
%	€C '(\$%+!' A %' I (\$, ,
%	K UgYf8-B '%&) !'5 '%\$Z
%*	<YIU[cb'Bi h'g!('\$ &!A %\$
%+	<YIU[cb'Bi h'g!('\$ &!A %*
%	@d'fc ZY' (\$! (\$! (' %' \$

8fuk YX Vm	D?			HfY.	
7\YW.YX.	G9G	8UHY.	\$+#!&!&S&S		7 7 (!6H&!@!D7!&!6
					5'
				FcUX 'VuffjYfVfjX[Y'gYhi! %\$\$\$#&\$\$\$ \Y][\h5ggYa V'm	

