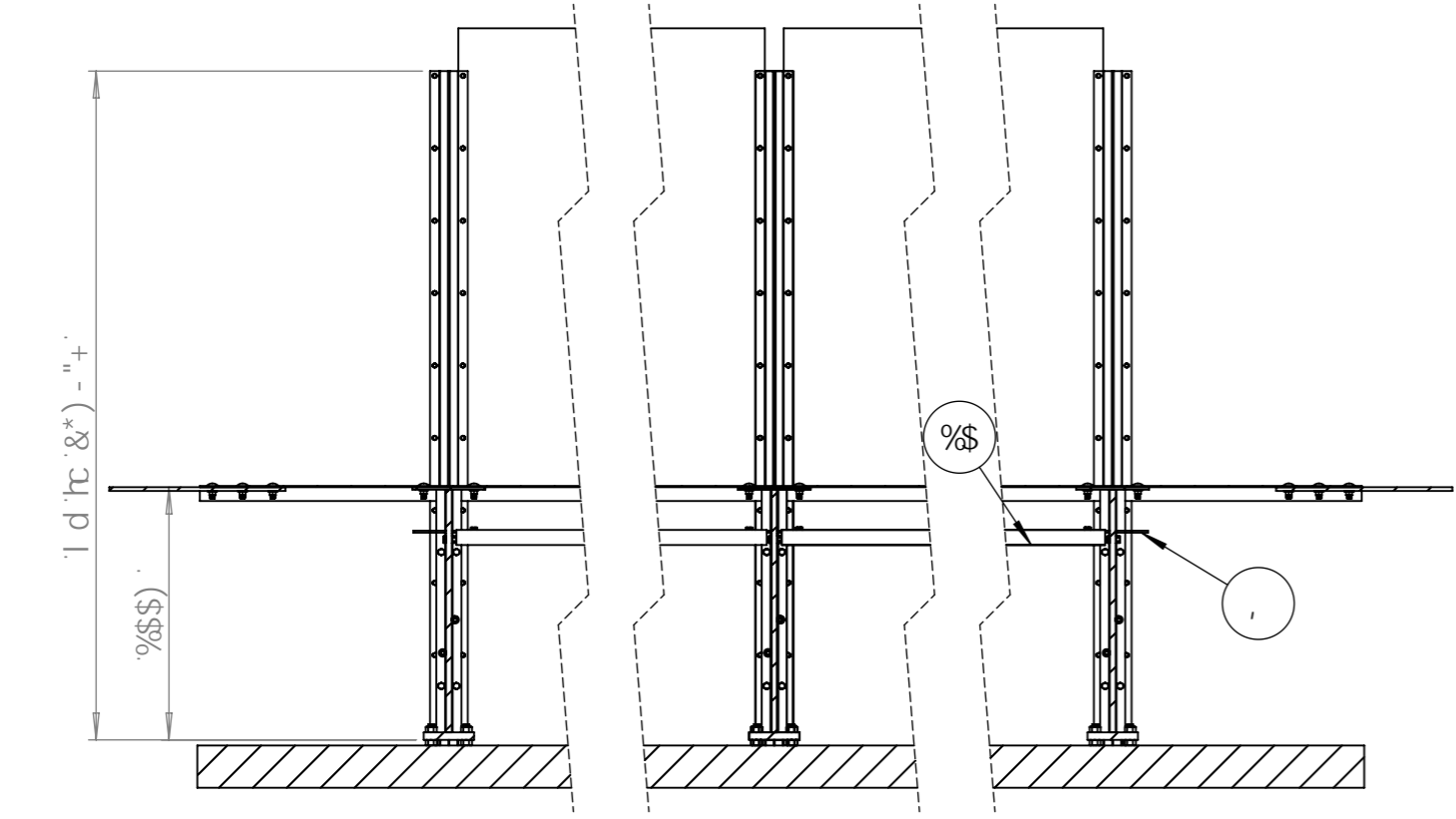
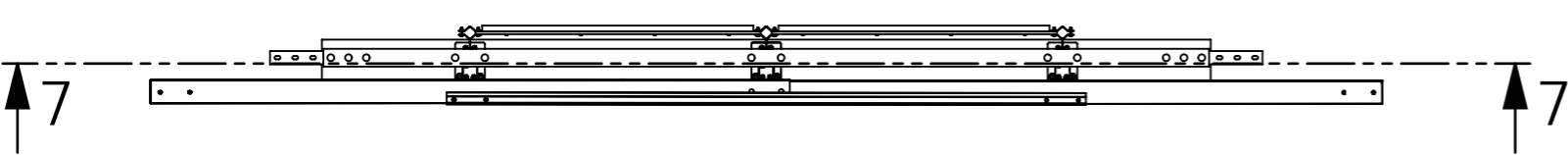
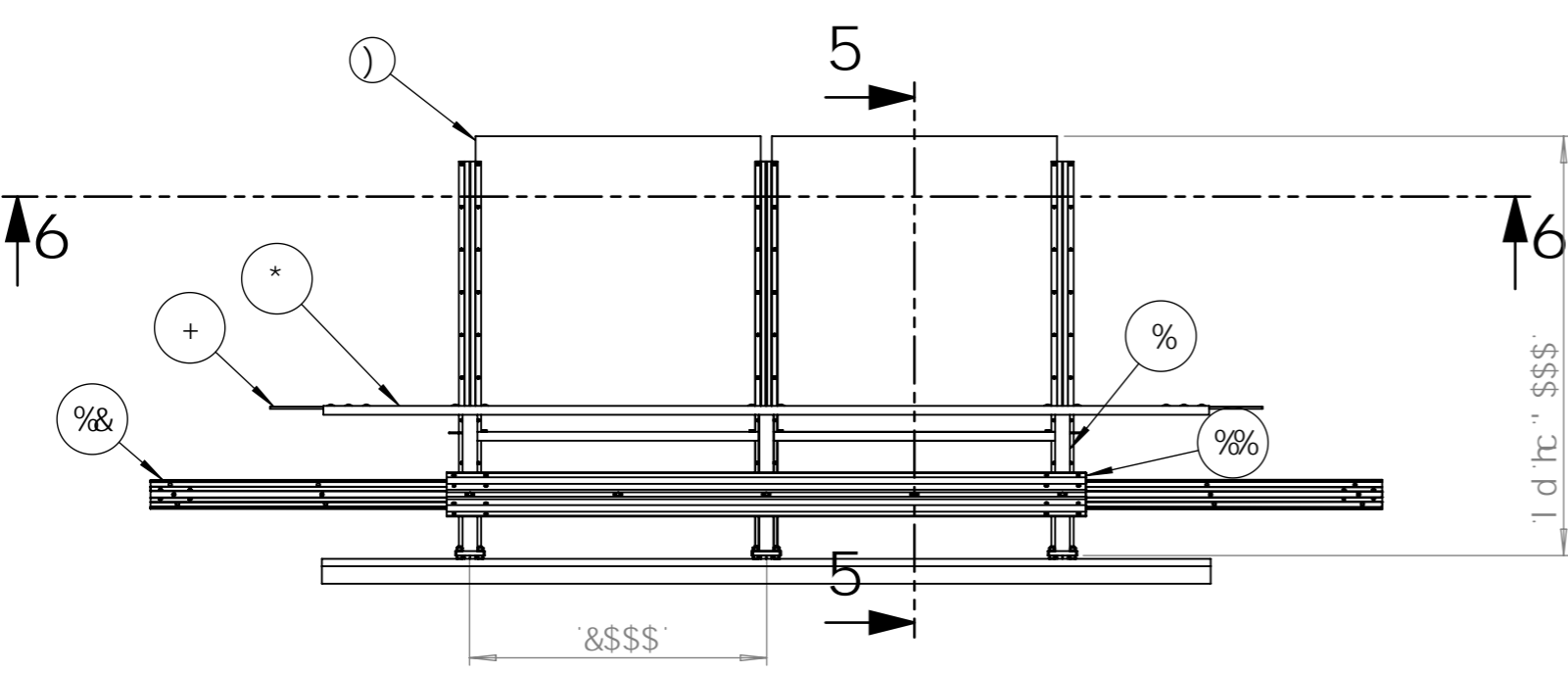
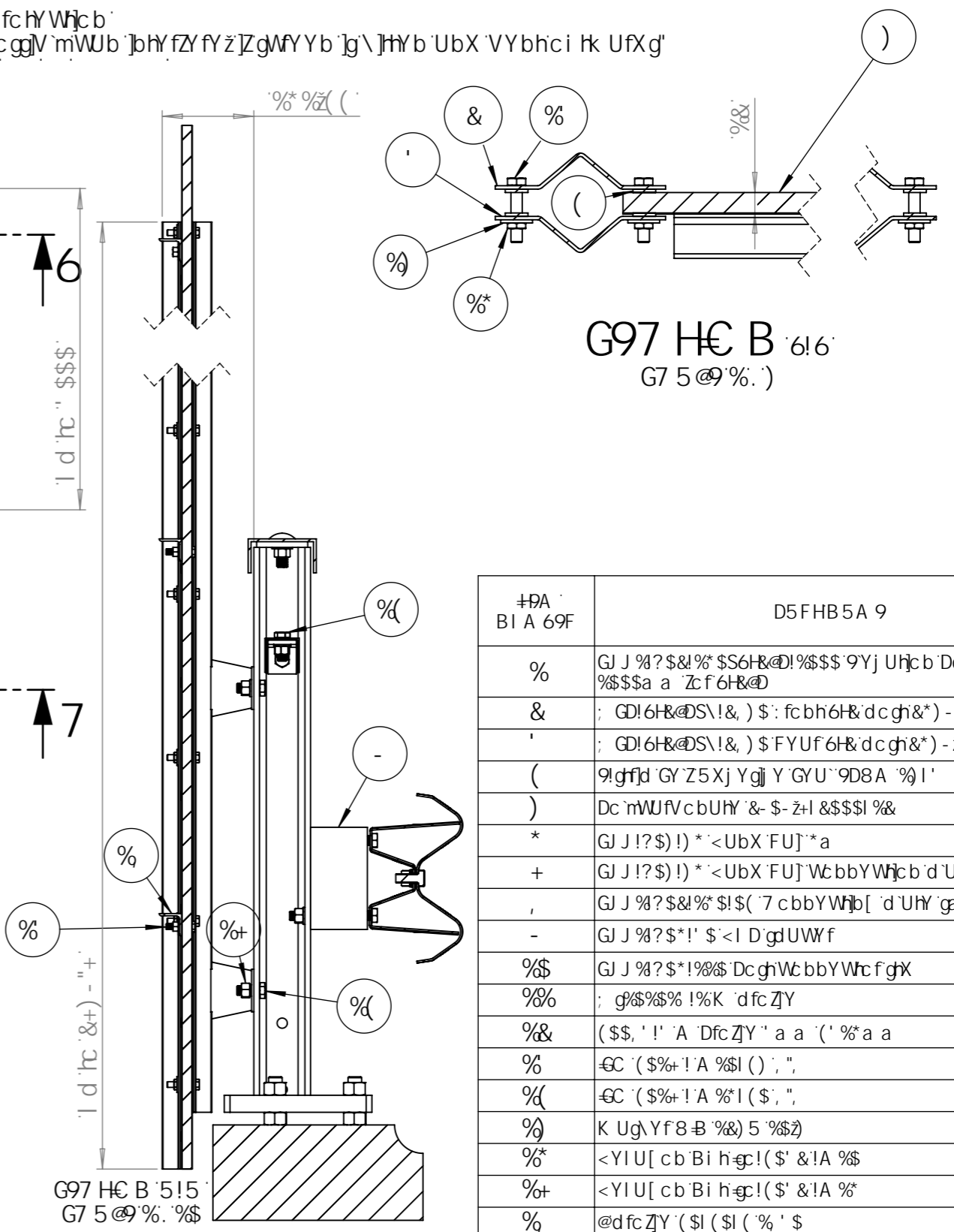


7 ca a Ybh
#fjYwCa a YbXX'rc XY'j YfhY fUbgdUfYbhdc mWUfVcbUHY d'UHfgk h U'dUHYfbzXi Y'rc VjX'dfchYWhcb'
K \Yb\Y'[\ \h'gUVcj Y &a žhY fUbgdUfYbhk U''WU' bch\Uj Y'cVghWYgcb hY VUW_gjXY h UhdccgV mWU' b'bhYfYfYž'ZgWfYb'jg\ hYb'UbX'VYbhci Hk UfXg'



8 9 H 5 @ 7 ! 7
G 7 5 @ 9 % ' \$



G97 H€ B '6!6'
G7 5 @ 9 % .)

+PA BI A 69F	D5FHB5A 9
%	GJ J %? \$&!% \$S6H&!%\$\$\$9Yj Uhjcb Dc gh %\$\$\$a a 'Zcf6H&@
&	; GD!6H&@DS\!&) \$: fcbh6H&dc gh&*) - ž+
'	; GD!6H&@DS\!&) \$ FYUf6H&dc gh&*) - ž+
(9!gfjd 'GY'Z5Xj Ygjj Y'GYU''9D8A '%9I'
)	Dc mWUfVcbUHY '& - ž+! &\$\$\$I %&
*	GJ J!?)\$!) * '<UbX'FUJ'*a
+	GJ J!?)\$!) * '<UbX'FUJ'Wc bbYWhjcb d'UHf
,	GJ J %? \$&!% \$!('7 cbbYWhjcb ' d'UHf ga U''
-	GJ J %? \$*!' \$ <I D'gdUWf
%\$	GJ J %? \$*!'%\$ Dc ghWc bbYWhf'gX
%%	; g\$%\$% !%K 'dfc ZY
%&	(\$ \$, ' ! ' A ' Dfc ZY ' a a (' %* a a
%	€C '(\$%+!A %\$I) ; ,
%&	€C '(\$%+!A %*I (\$, ,
%&	K UgYf8-B '%&) 5 %\$ž
%*	<YIU[cb'Bi h-g!('\$ &!A %\$
%+	<YIU[cb'Bi h-g!('\$ &!A %*
%	@dfc ZY '(\$I (\$I (% ' \$

8fUk YX Vm	D?		
7\YV_YX.	G9G	8UHf.	\$+H&I&S&S

7 7 (!6H&@D!D7!' !'G

5'



FcUX 'VUffYfVfX[Y'g'h!' \$\$\$\Y'[\ \h