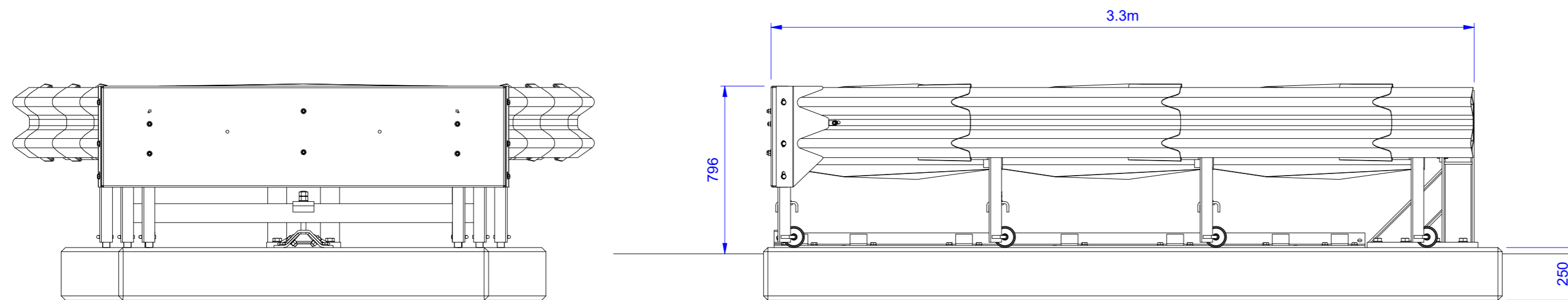
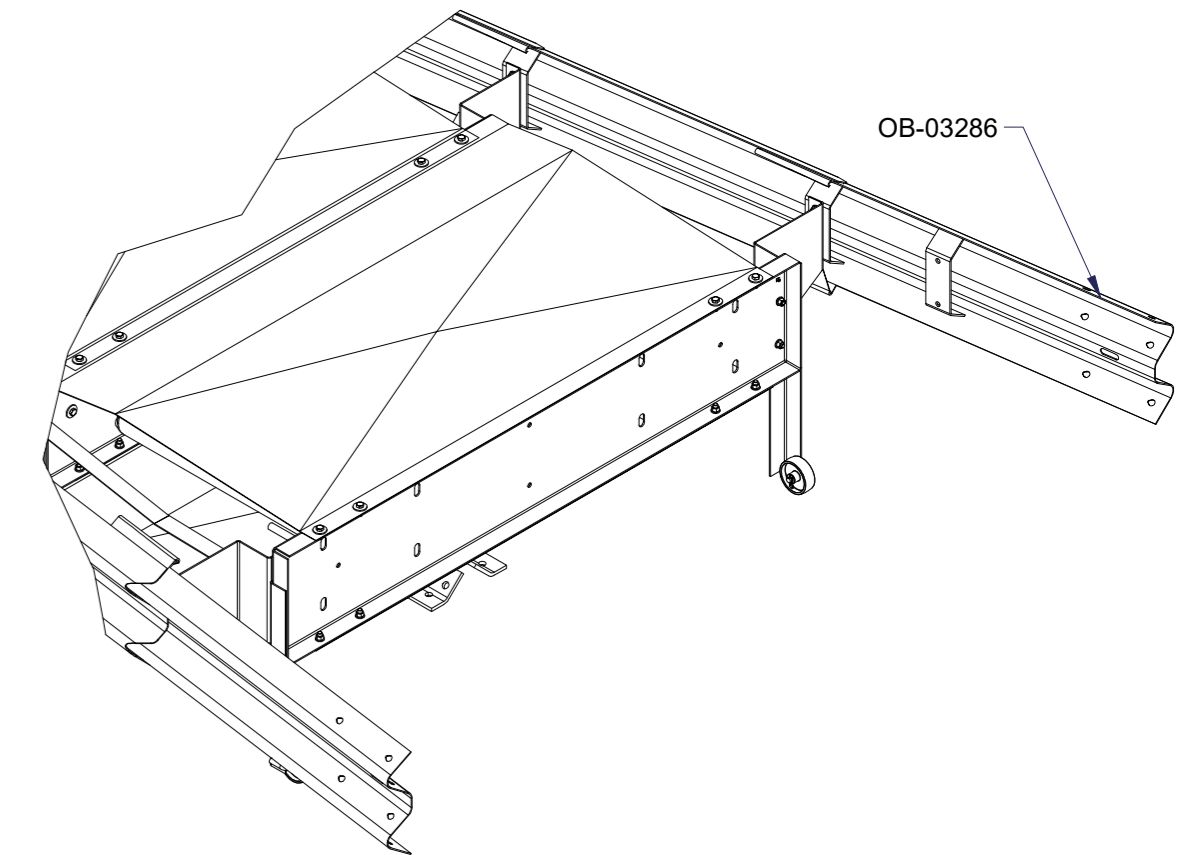
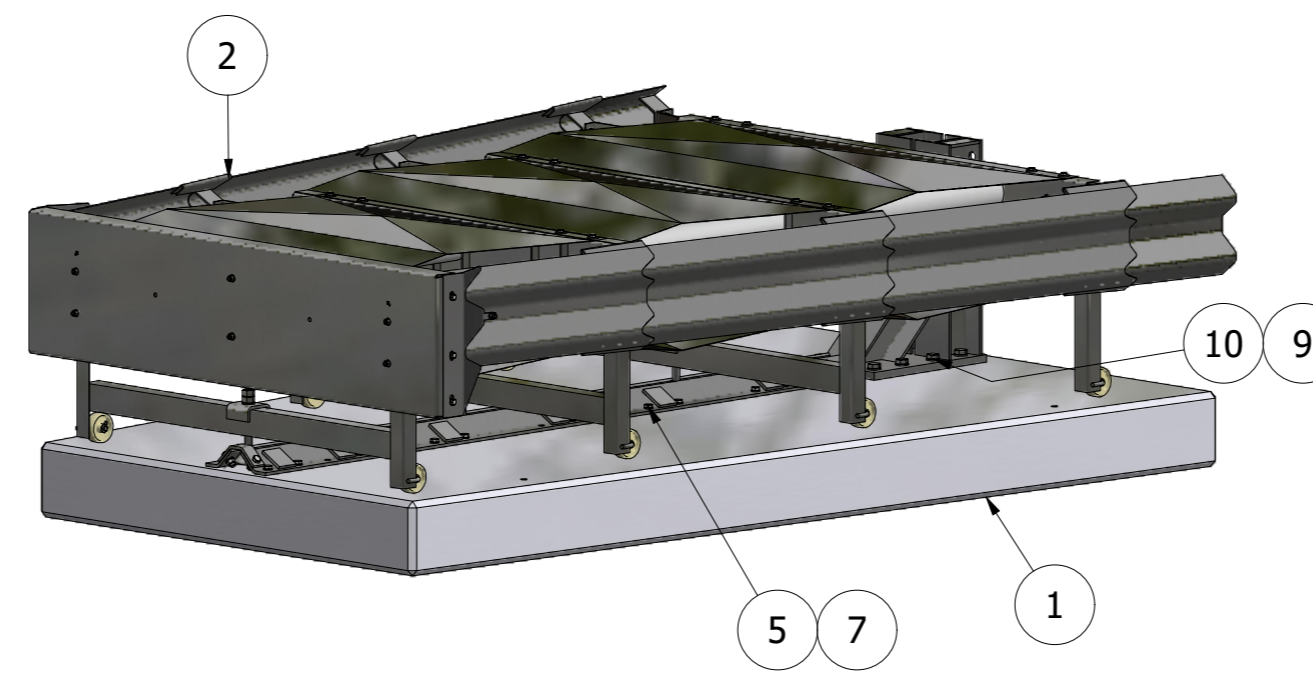
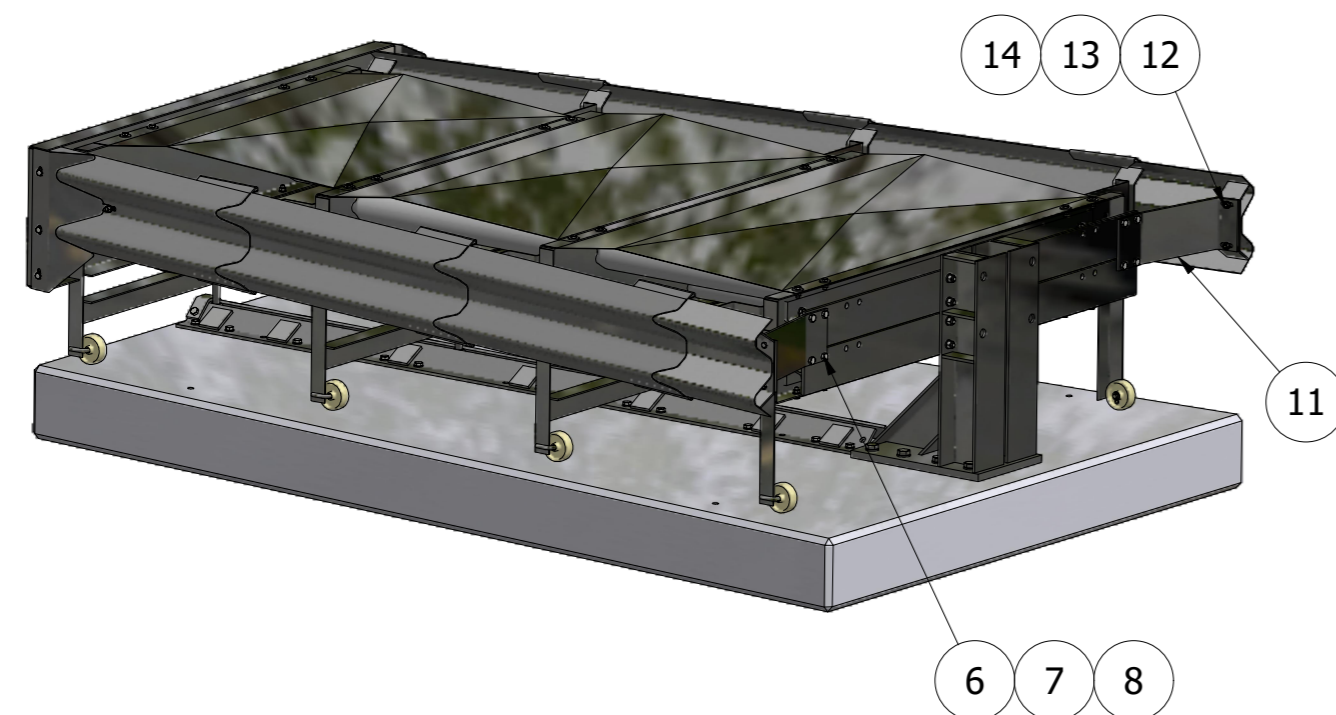


A ( 1 : 20 )  
With connection beam OB-03286



HDG according to EN ISO 1461  
Thermisch verzinken volgens EN ISO 1461  
Weight: ±5053 kg.

14	4	Washers M12	DIN 126 - 13,5	0959072
13	4	Hexagon nut M12	ISO 4032 - M12	0959069
12	4	Hexagon Bolt M12x30	M12 x 30 - ISO 4017	0959071
11	2	Beam support V2700-3S/3.3	OB-03287	
10	8	Hexagon Bolt M24x70 DIN933 8.8	DIN 933 - M24 x 70 TV 8.8	0959151
9	8	Washer M24	M24 - DIN 126	0959065
8	20	Hexagon nut M16	M16 - ISO 4032	0959040
7	46	Washer M16	M16 - DIN 126	0959045
6	20	Hexagon Bolt M16x45	ISO 4017 - M16 x 45	0959034
5	22	Hexagon Bolt M16x40 ISO-4017 8.8	M16 x 40 - ISO 4017	0959033
4	2	Girder V2700	OB-02015	54020151
3	1	Back support 3S	OB-03128	
2	1	Crashguard V2700-3S/3.3	OM-01008	
1	1	Concrete baseplate	OB-03133	
ITEM	QTY	DESCRIPTION	PART NUMBER	STOCK NUMBER



PARTS LIST

**SAFEROAD**



TENZIJ ANDERS AANGEGEVEN  
GELDEN DE NEVENSTAANDE  
TOLERANTIES

LINEAIRE MATEN ±1MM  
HOEKMATEN ±30MIN.  
GATDIAMETERS +0,3-0,2MM

F			GET.: wijlie	BENAMING:
E			DATUM: 15-6-2020	Crashguard
D			KADER: A2	Rimob V2700-3S/3.3
C			SCHAAL: 1 : 20	
B			MATEN: mm	
A			BLAD:	
REV.	WIJZIGING	DOOR	DATUM	TEKENING NUMMER: OM-01008 concrete
				1 / 1