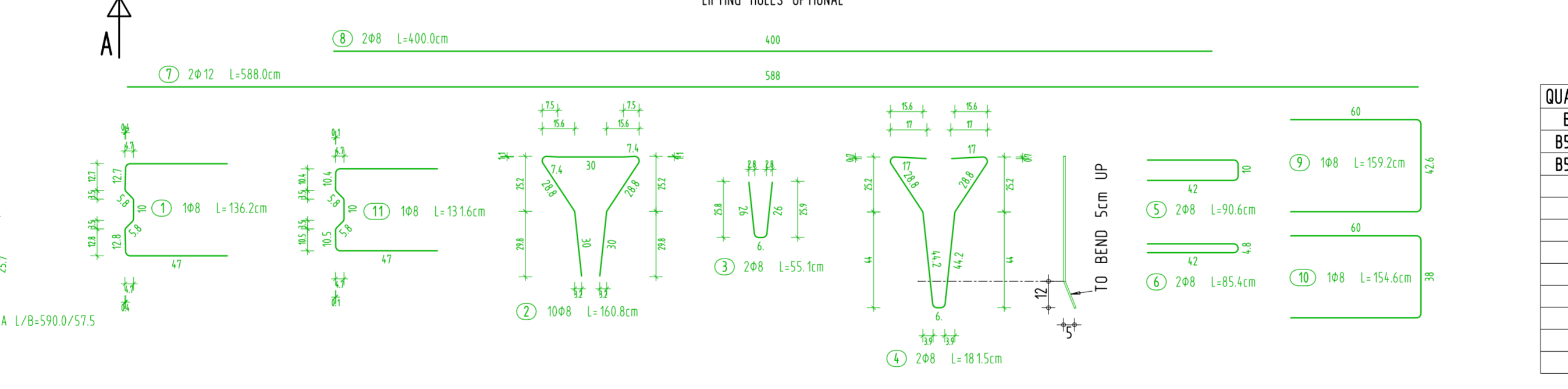
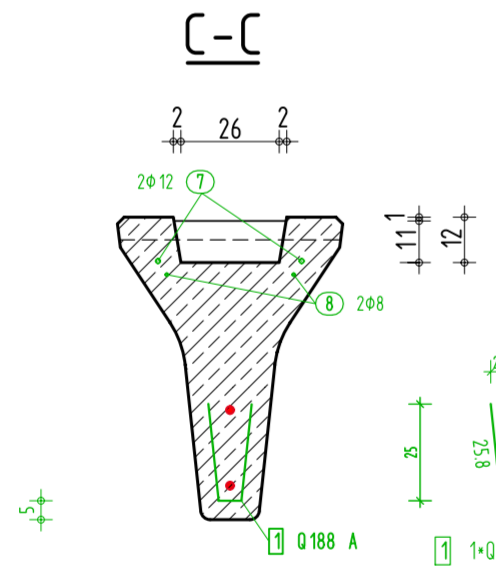
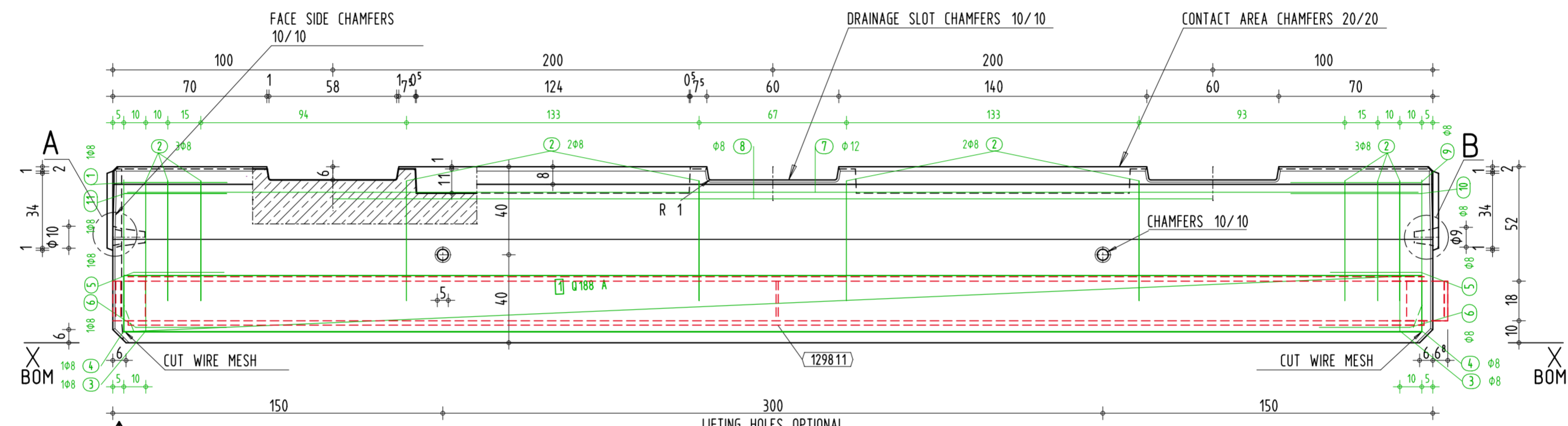
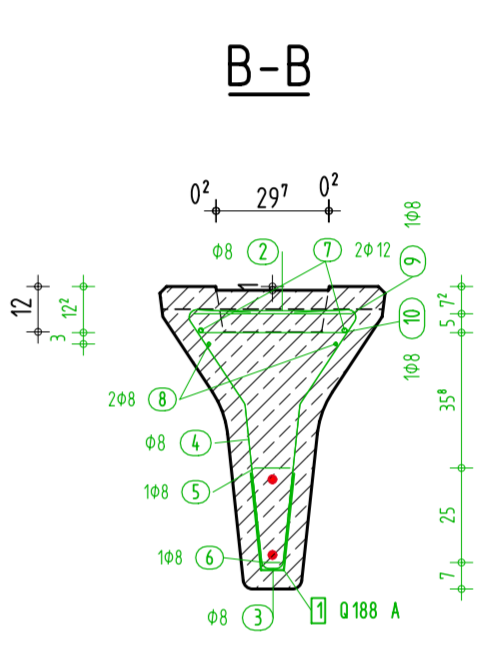
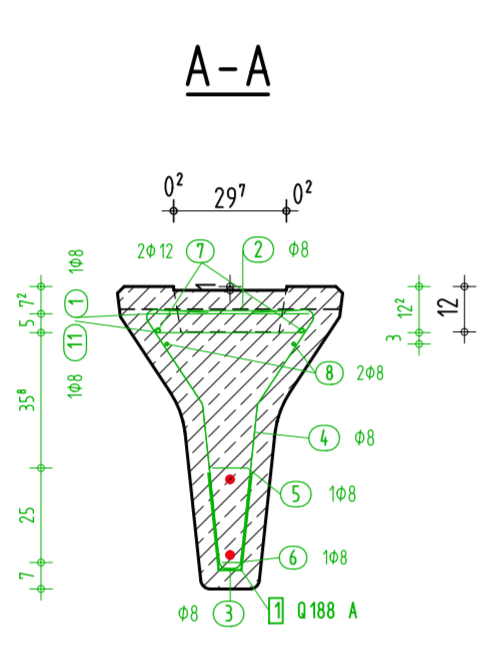
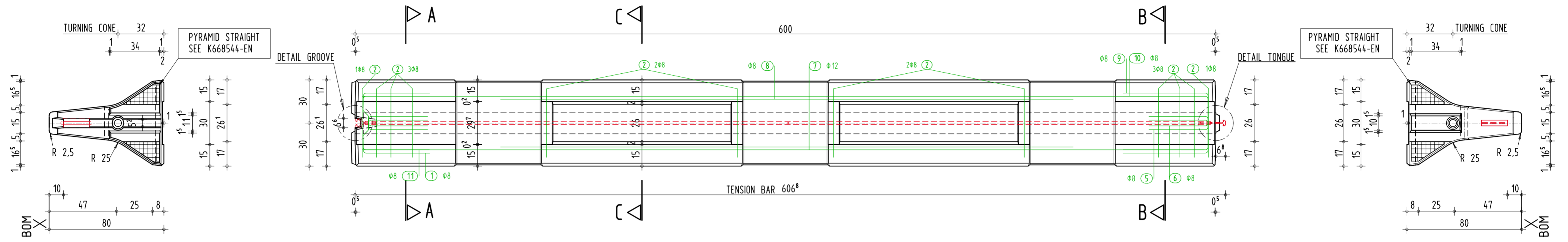
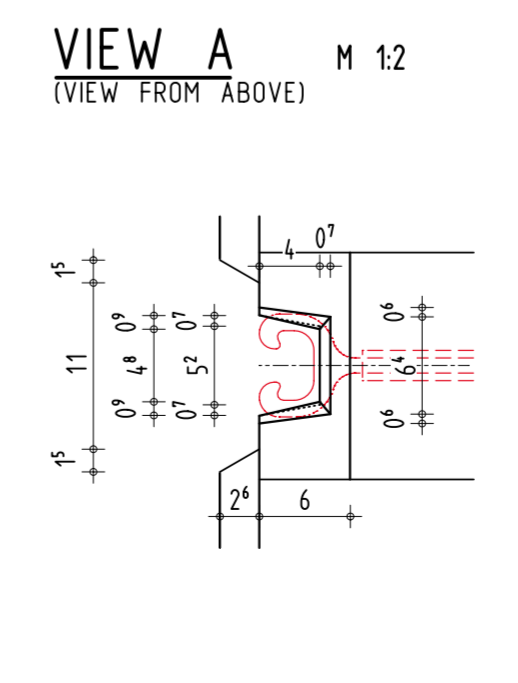
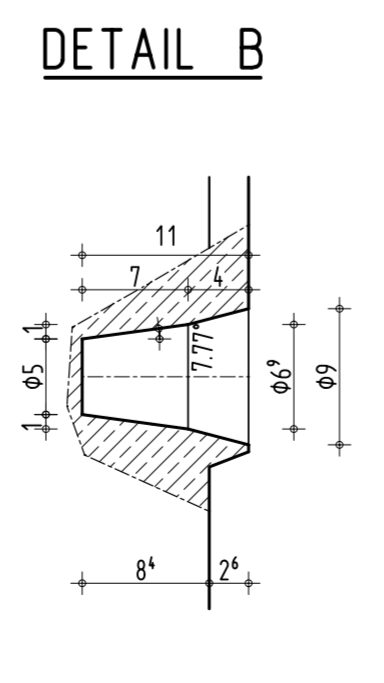
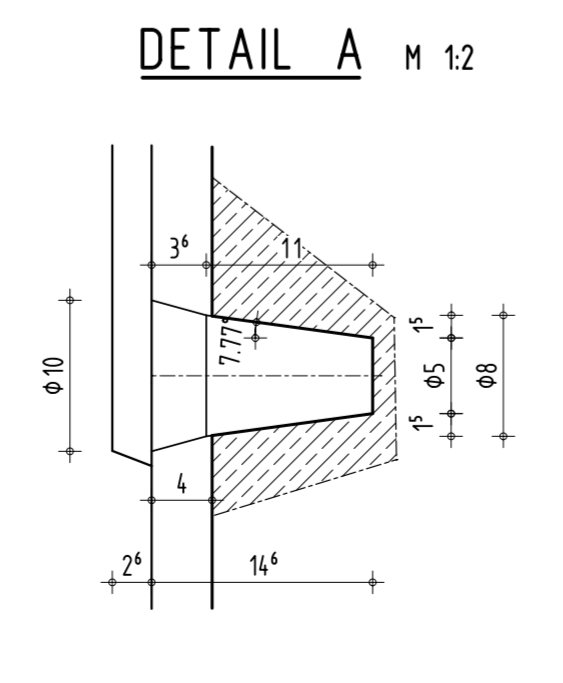
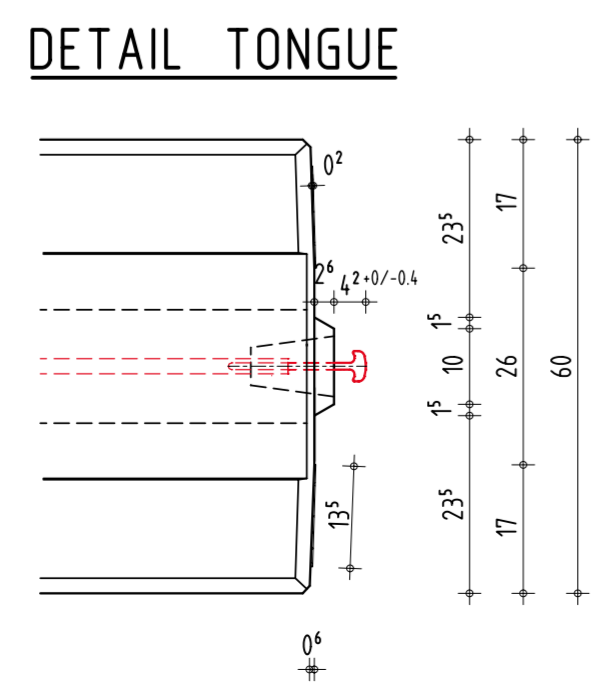
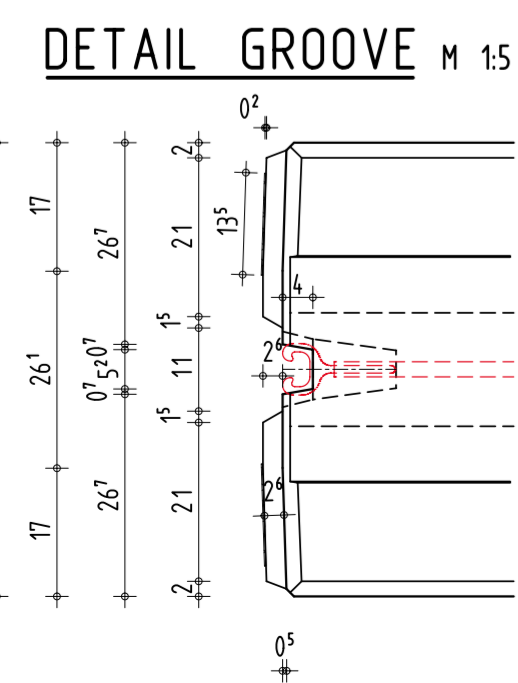


QUANTITY	UN.	ART.NO.	DESCRIPTION	DWG. NO.
1.00	PCE	129811	TENSION BAR T180S / 606mm	A668538-EN



QUALITY	DM/TY	POS	PCE	L[m]	W[m]	kg	kg TOTAL
B500	Q188 A	1	1	5.900	0.575	10.25	10.25
B500B	12	7	2	5.880	0.000	10.44	10.44
B500B	8	1	1	1.362	0.000	0.54	
		2	10	1.608	0.000	6.35	
		3	2	0.551	0.000	0.44	
		4	2	1.815	0.000	1.43	
		5	2	0.906	0.000	0.72	
		6	2	0.854	0.000	0.67	
		8	2	4.000	0.000	3.16	
		9	1	1.592	0.000	0.63	
		10	1	1.546	0.000	0.61	
		11	1	1.316	0.000	0.52	15.07
WEIGHT OF STEEL REINFORCEMENT [kg]							35.76



QUALITY: C30/37
XC4/XD3/XF4/WA

CHAMFERS: 10/10 [mm]

WEIGHT: 3.125 [kg]
2400 [kg/m³]

CONC. COVER: C_{nom} = 5.00 [cm]
C_{min} = 4.00 [cm]

SURFACE: SMOOTH MOULD SURFACE

FILLING SURFACE: MANUALLY FLOATED

DETAIL ELEMENT CONNECTION SEE PLAN NO: K668528-EN

INDEX	K VIEW A GROOVE	27.09.2017	BED	SPI
CHANGES		DATE	DRN.	CKD.

RELEVANT STANDARDS, NATIONAL REGULATIONS AND IN PARTICULAR DELTABLOC SPECIFICATIONS HANDBOOK ARE TO BE OBSERVED DURING PRODUCTION. ADEQUATE LIFTING AND TRANSPORT SYSTEMS CAPABILITIES ARE TO BE CHECKED, HANDLING AND TRANSPORT TO BE CARRIED OUT ACCORDING TO PRODUCTION-WORKS RELEVANT SYSTEMS.

ART. NUMBER: 123520

DRAWN: SIE CHECKED: SPI

SCALE: 1:20 DATE: 05.08.2015

PROJECT NO.: / JOB NO.: SP-2010

DRAWING NUMBER: B668533-EN SHEET: 1

THIS DOCUMENT IS PROPERTY OF DELTA BLOC INTERNATIONAL GMBH AND IS COPYRIGHT PROTECTED. ANY DUPLICATION OR PRESENTATION AUTHORISED ONLY WITH EXPRESSED CONSENT OF THE OWNERS.