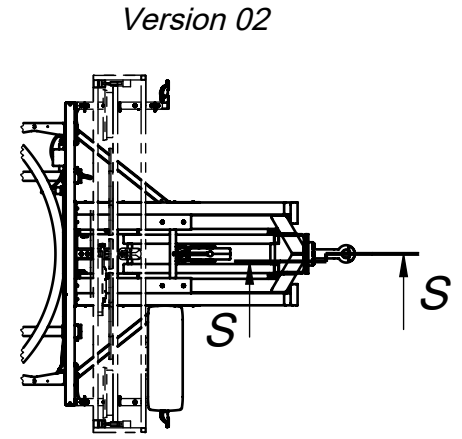
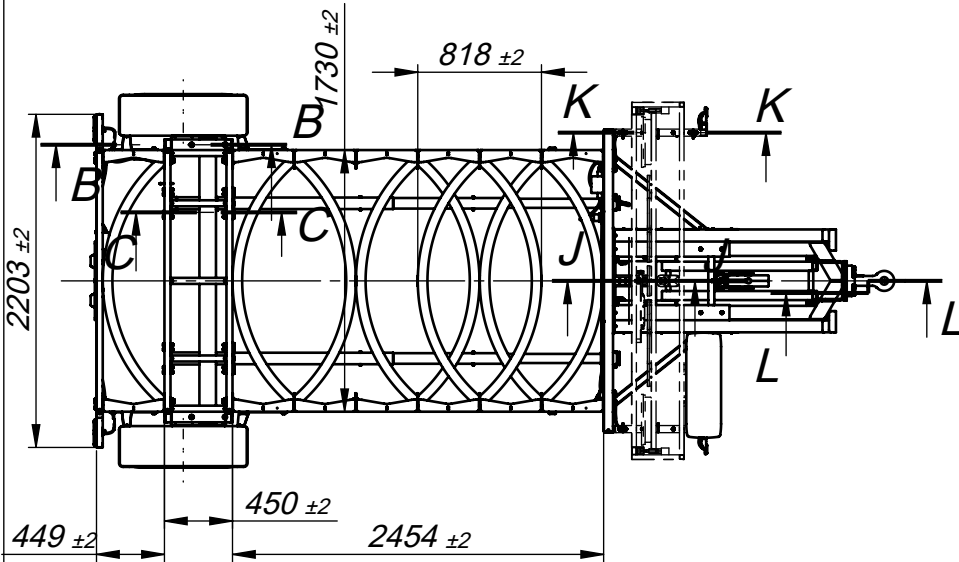
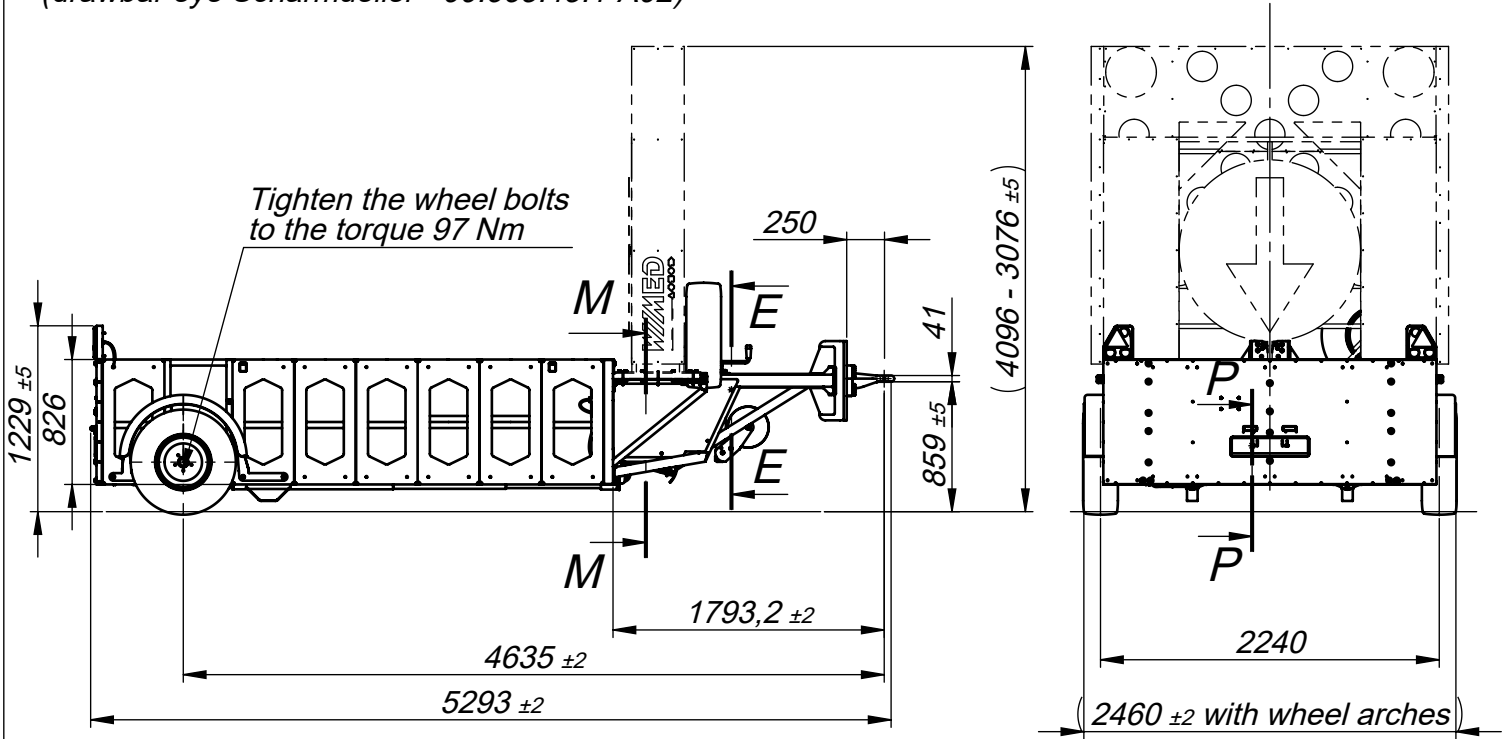
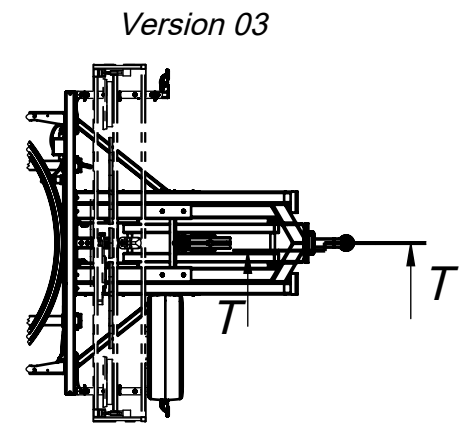
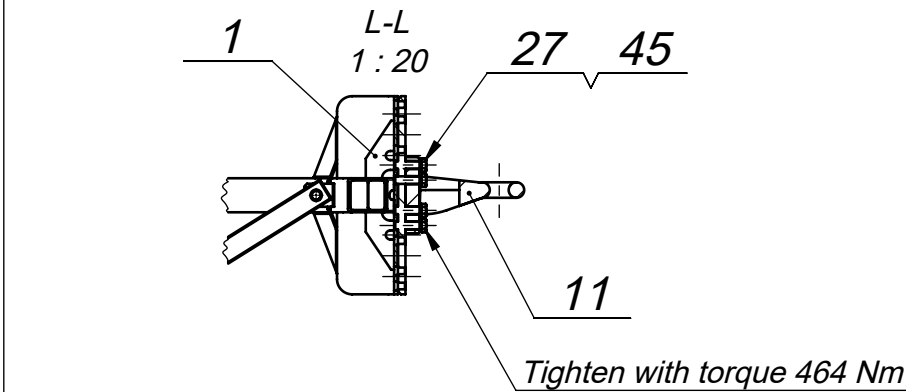


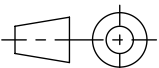
Version 01  
 (drawbar eye Scharm Mueller - 00.665.43.1-A02)



Version 02



Version 03

<b>PROTOTYPE</b>	Drawing No.		version		Scale	Sheet <b>4</b>	
	<b>C07.00.00.00.00</b>				<b>1:50</b>	Sheets <b>8</b>	
	Description					Material	
	<b>Trailer Truck Mounted Attenuator</b>						
		Name	Date	Signature			
	Designed	Ł. Kawalek	13.12.2022				
	Drawn	Ł. Kawalek	13.12.2022				
	Approve	W. Moczarny					
	Verified by	R. Kordus					
					<b>ENDEGO</b>		