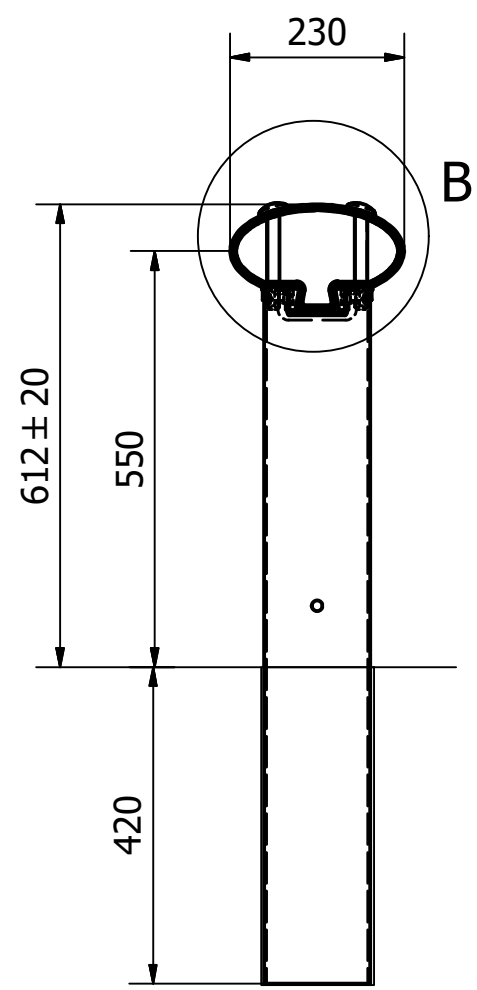
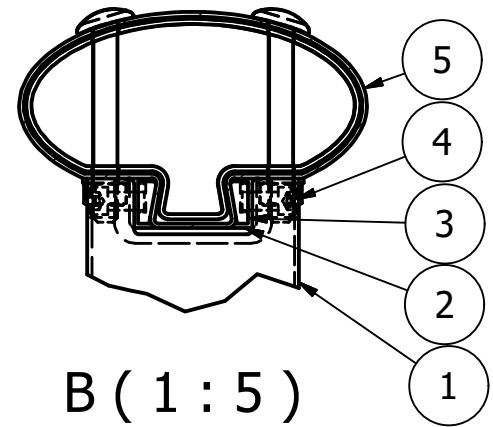


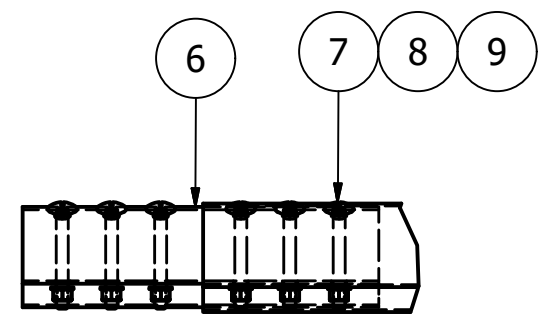
FMK - C1 C/C 4m (1 : 50)



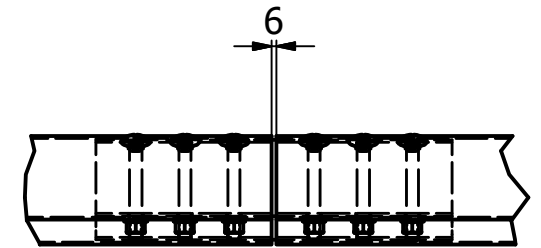
SECTION A-A (1 : 10)



B (1 : 5)





C (1 : 10)



D (1 : 10)

ITEM	PART NAME	DIMENSION	MATERIAL	PART NO/ DESCRIPTION
1	POST	140x100x3 - 921	S355MC	2-C1P-921
2	U-HOLDER	PL 10	S355JR	
3	WEDGE	97,5x28x12	S235JRG2	2-C1WH-97,5
4	BOLT	MC6S M12x25	A2 70	
5	TOP RAIL	230x143x3 - 7994	S355MC	2-C1M-7994
6	JOINT	471x221x132,5	S355MC	2-C1J-471
7	BOLT	FMK M16	8.8 FZV	
8	WASHER	BRB 17x30x3	HB 200 FZV	
9	NUT	M6M 16	8 FZV	

	PROJECT	GENERAL TOLERANCE	PROJECTION	DIMENSION	SCALE
	MANUFACTURING	SS-ISO 2768-1 m		MILLIMETERS	1 : 50
	DESIGNED BY	TITLE			
D.LISSERT	FMK - C1				
APPROVED BY - DATE	DATE	SHEET	DRAWING NUMBER	EDITION	
-	2016-06-20	1	2-C1-01	1	