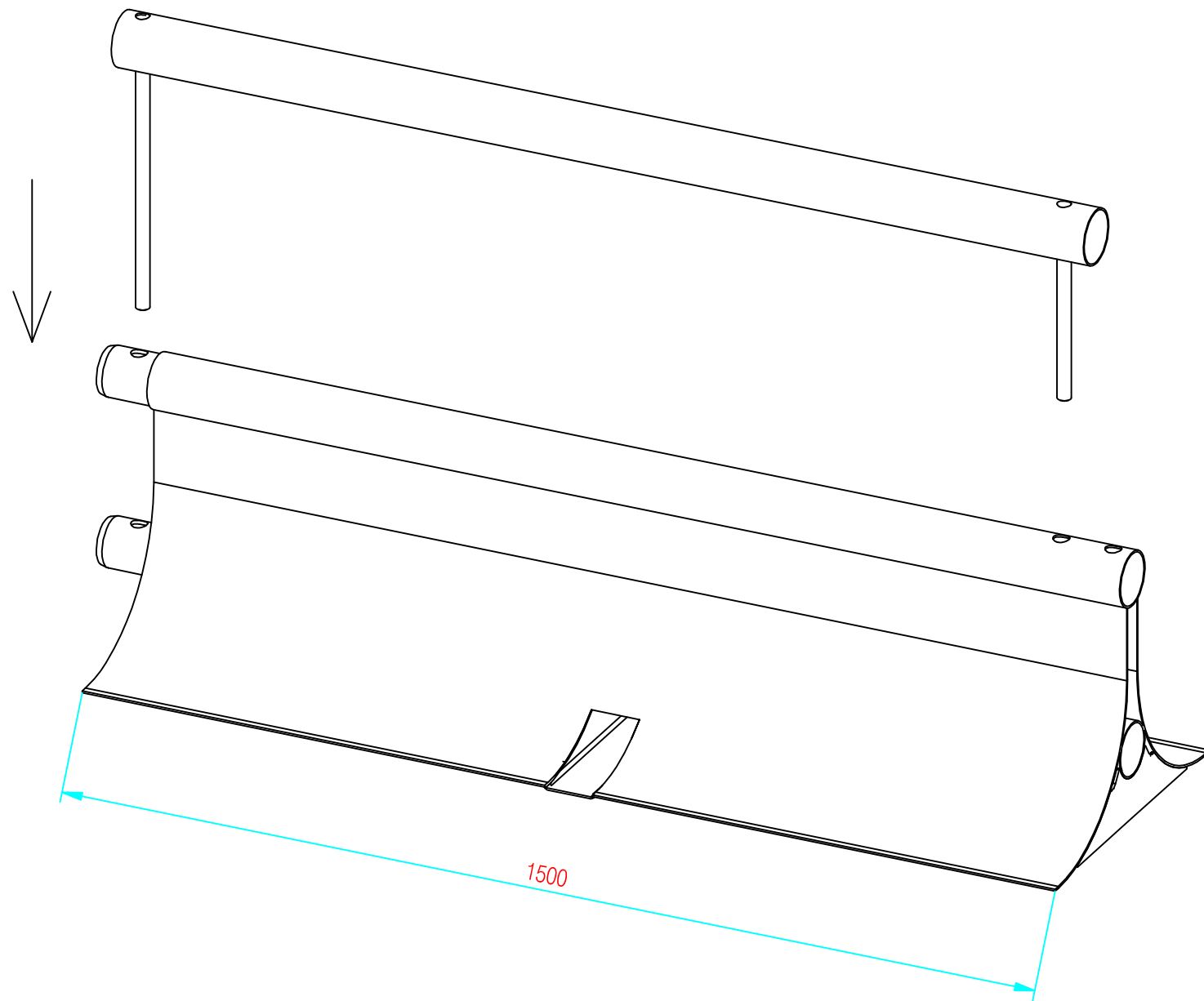
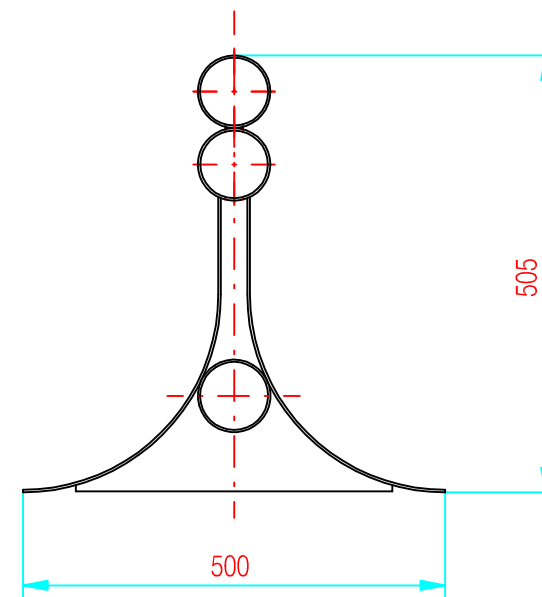


© Copyright.
 This drawing has copyright & may not be copied in whole or in part or used for any other purpose other than that for which it is supplied without express written consent from the company.



M.A.S.S. BASE UNIT & TOP RAIL CONNECTOR



TYPICAL SECTION THRO' M.A.S.S.

Rev'	Remarks	E.C.O.	Date
Drawn By	Date	Material	
<i>ATWright</i>	March 2003		
Scale	Finish	Weight	

Description

Isometric View of M.A.S.S. Base Unit & Top Rail.

ASSET INTERNATIONAL Springvale Business & Industrial Park, Bilston, Wolverhampton. WV14 - 0QL.
 Tel: (01902) 499416 Fax: (01902) 402104
 E.mail: barrier@hill-smith.co.uk Website: www.hill-smith.co.uk

Drawing No. MASS 021