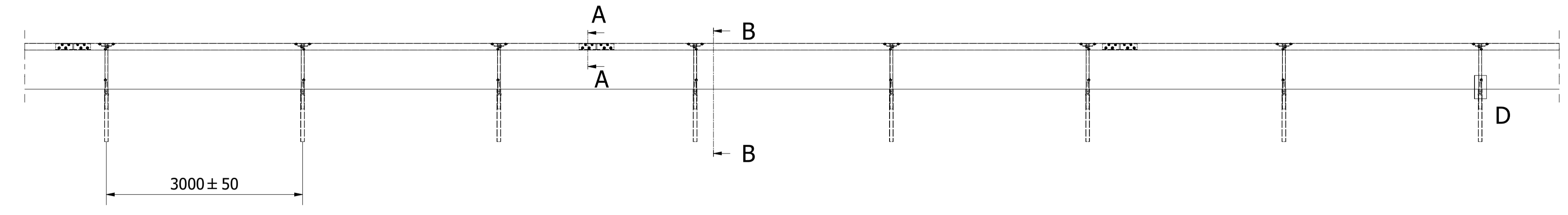
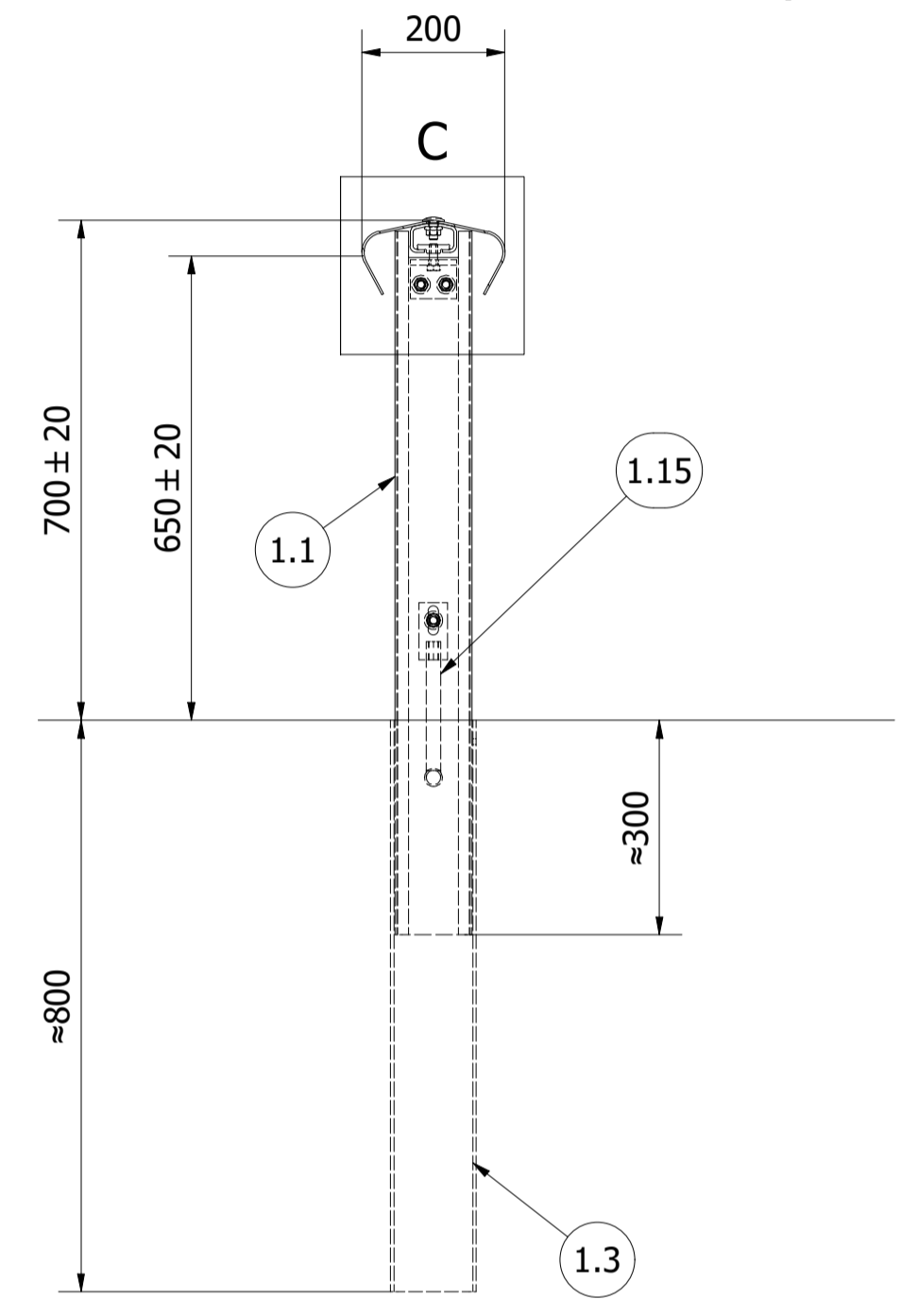


**REGULATION**  
 TESTED ACC. TO SS-EN 1317-2 (CONTAINMENT LEVEL H1)  
 FACTORY PRODUCTION CONTROL ACC. SS-EN 1317-5  
 HOT DIP GALVANIZING ACC. TO SS-EN ISO 1461.  
 ITEM 1.6 AND 1.14 CAN BE RELACED WITH FLANGE NUT

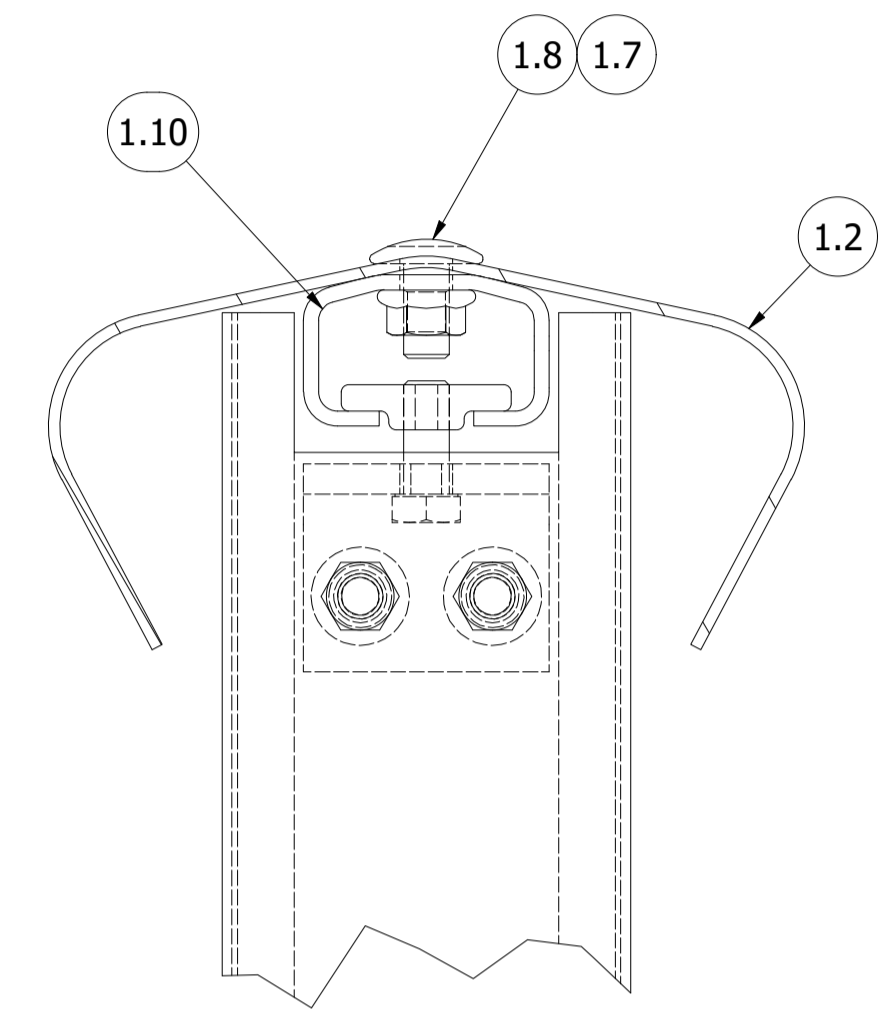
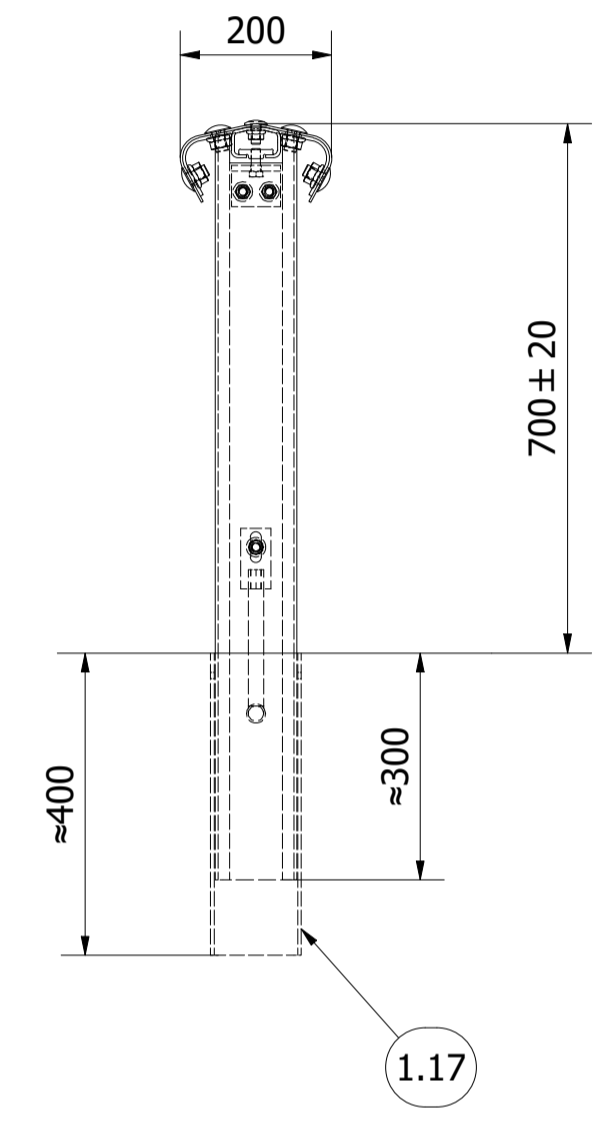


FOR INSTALLATION IN GRAVEL / ASPHALT

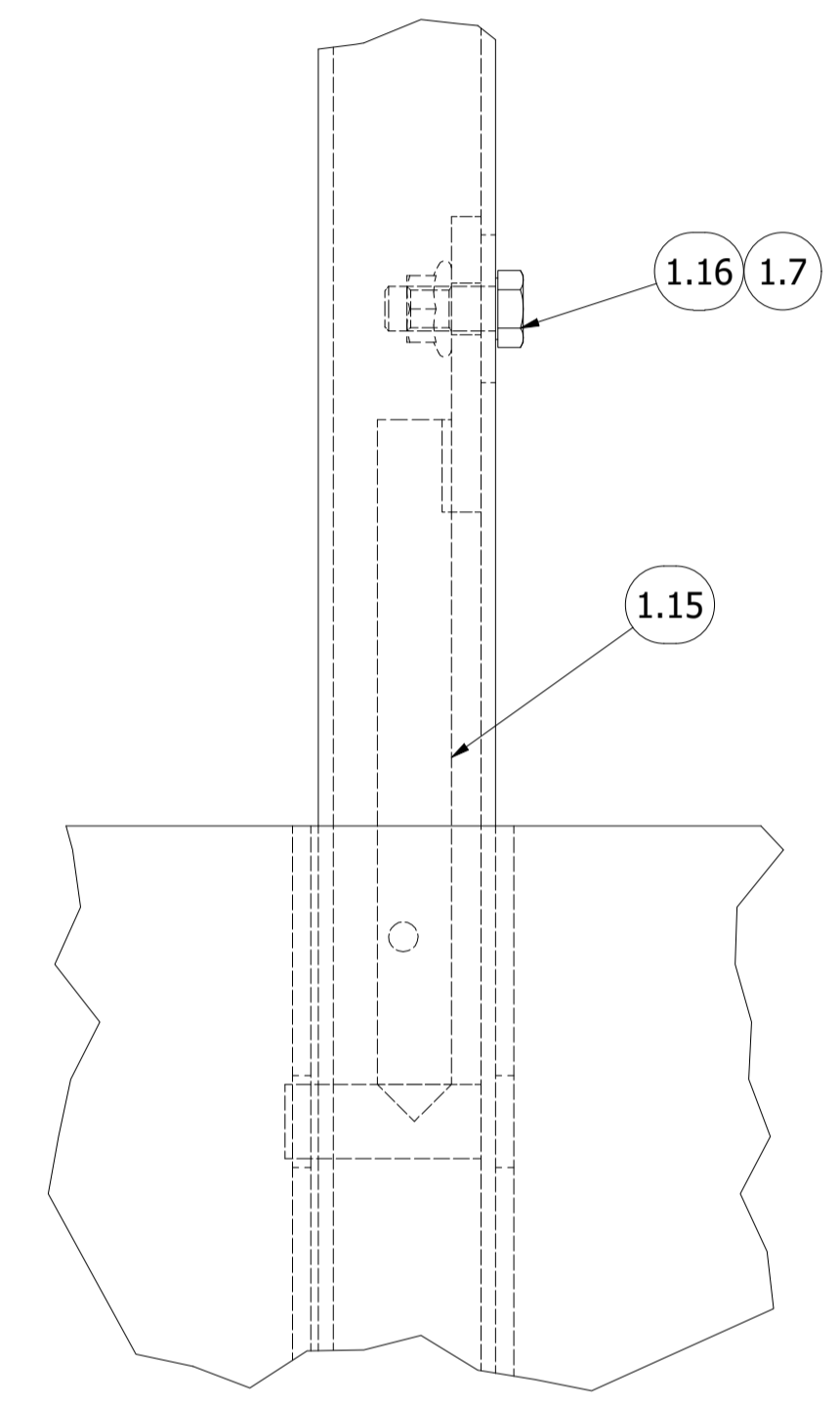


B-B ( 1 : 10 )

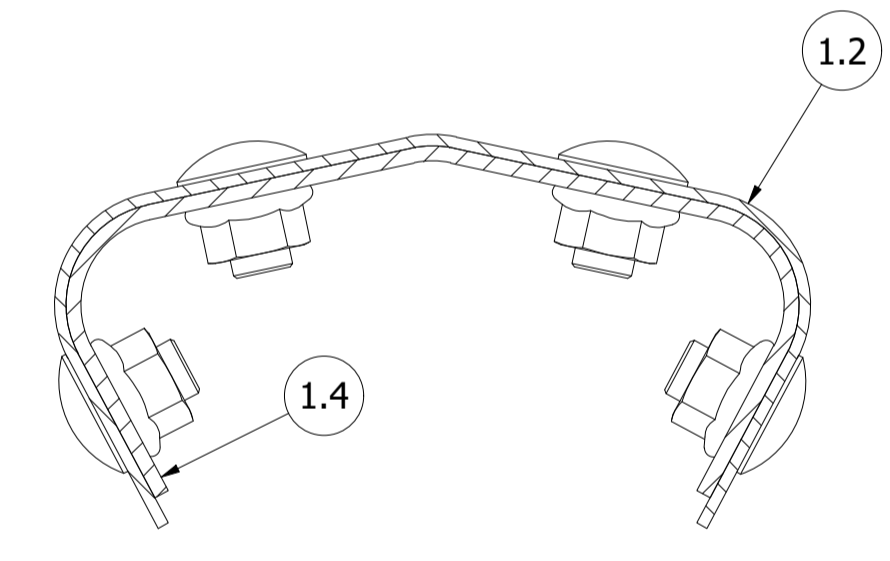
FOR INSTALLATION IN ASPHALT



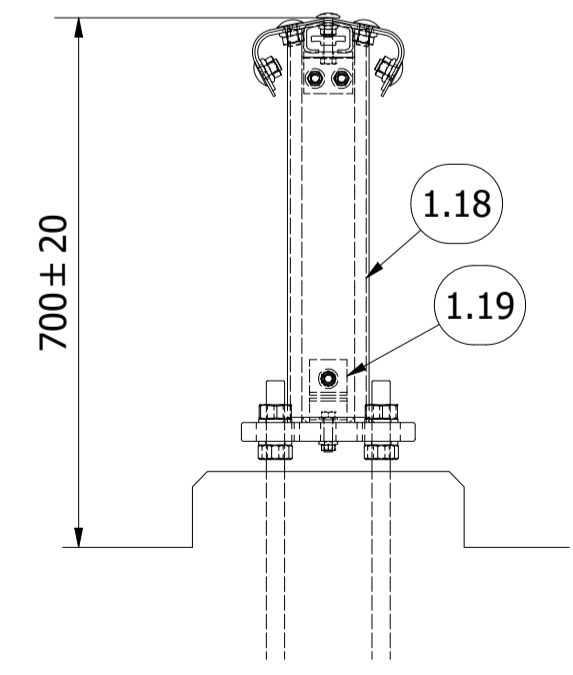
C ( 1 : 2 )



D ( 1 : 2 )



A-A ( 1 : 2 )

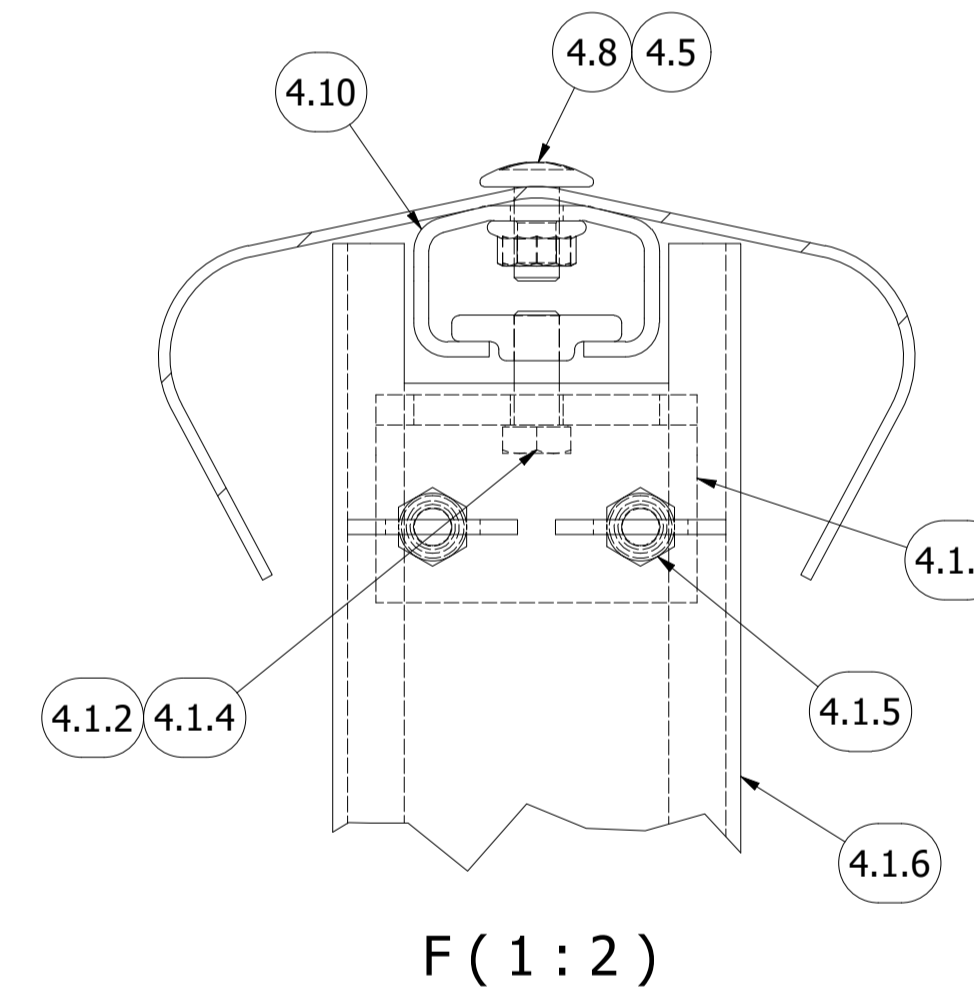
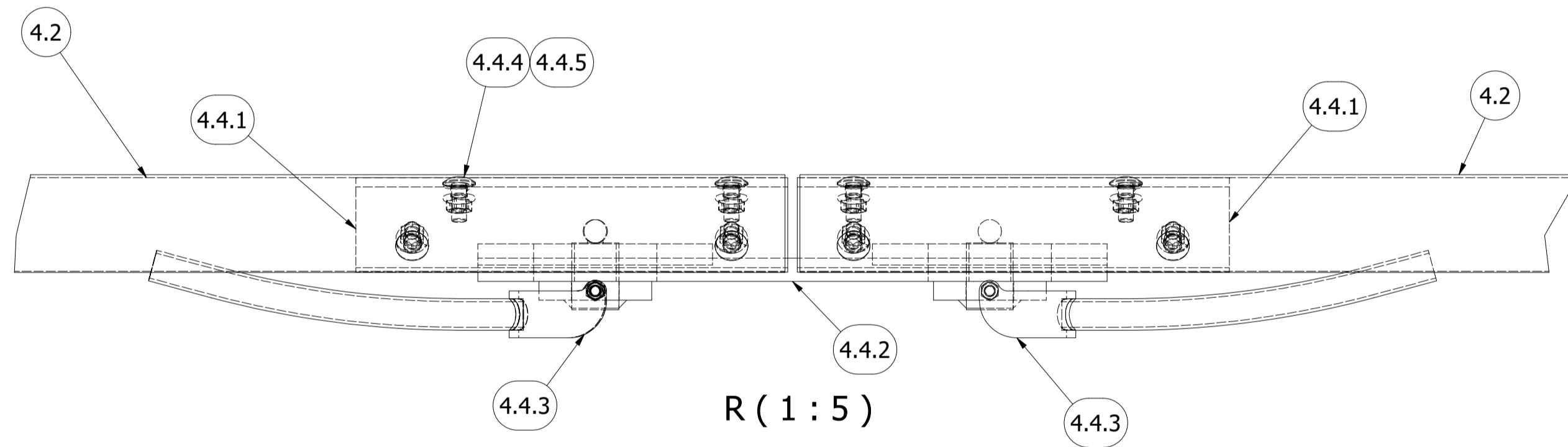
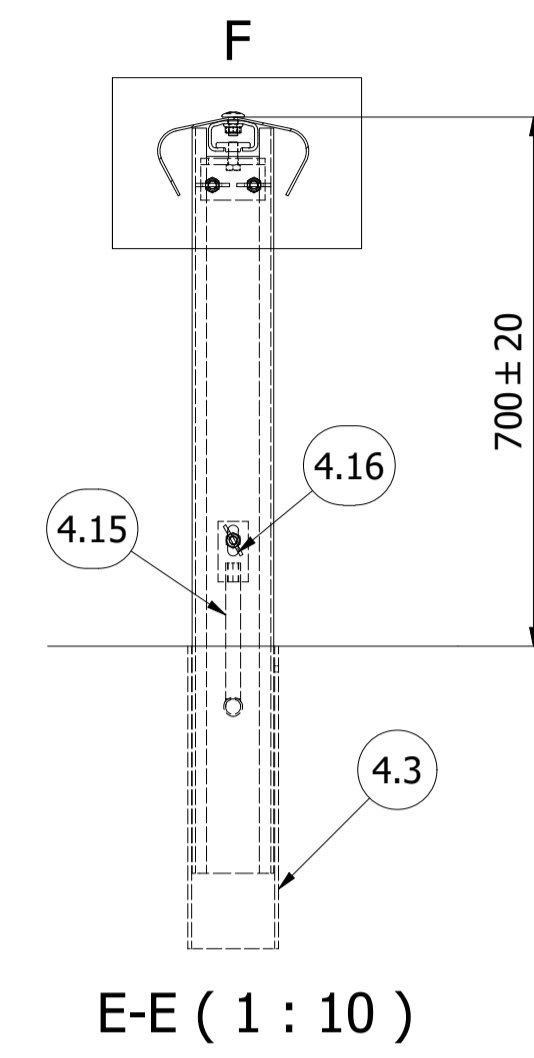
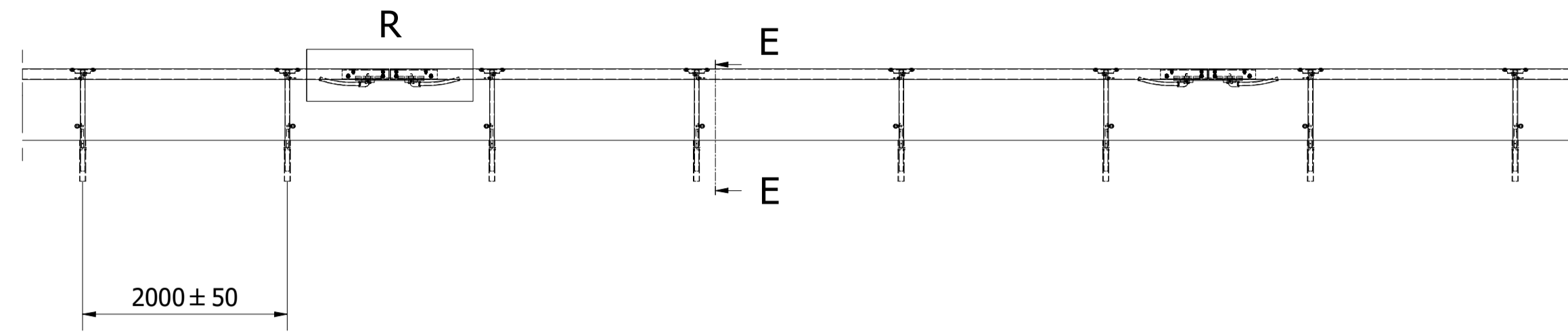


RAISED STRUCTURE ( 1 : 10 )

1.1	M H1 POST			8012901A
1.2	M PROFILE	S420	L=7984	8012433
1.3	M FOUNDATION	S355	L=800	8012902
1.4	M JOINT	S420	L=532	8012434
1.5	M16x27 BOLT WITH FLANGE NUT	4.6	M16x27	122160270A
1.7	FLANGE NUT	-	M12	120120003
1.8	ROUND HEAD BOLT	8.8	M12x25	122120250
1.10	M BRACKET C PROFIL	S355	L=250	8012449
1.15	POST LOOK	S355		8012903
1.16	BOLT	8.8	M12x30	121120300
1.17	M FOUNDATION	S355	L=400	8012904
1.18	M POST WITH BASE PLATE			
1.19	M TENSION BAND	S235	T=4	

REVISION HISTORY			
REV	DESCRIPTION	DATE	APPR.
1	SHEET 1: VERSION WITH BASE PLATE ADDED. SHEET 2: JOINT FOR QUICK OPENING ADDED.	2023-07-09	FS

Designed by	Checked by	Approved by	Date	Scale	Size
FS		FS	2020-04-20	1 : 50	A1
			Nordic M H1 v2		
			300000029_NO	1	1 / 2



4.1.1	M POST QO BRACKET	S235	T=8	8013418
4.1.2	NUT 50X45X12	S355	M12	120120001
4.1.4	BOLT	4.6	M12x30	122120300
4.1.5	RING BOLT	A4-80	M12x30	142120300
4.1.6	M POST QO	S355	L=985	8013417
4.2	M PROFILE QO	S420	L=7984	8013411
4.3	M FOUNDATION	S355	L=400	8012904
4.4.1	QO JOINT	S355	L=460mm	8013419
4.4.2	LOCK LINK	S355	670x115x25	8013420
4.4.3	HANDLE WITH LOCK			8013422A
4.4.4	ROUND HEAD BOLT	4.6	M16x40	122160400
4.4.5	FLANGE NUT	-	M16	120160003
4.5	FLANGE NUT	-	M12	120120003
4.8	ROUND HEA BOLT	8.8	M12x25	122120250
4.10	M BRACKET C PROFIL	S355	L=250	8012449
4.15	POST LOCK QO (THREADED)	S355		8013424
4.16	RING BOLT	A4-80	M12x30	142120300
ITEM	DESCRIPTION	MAT.	DIM.	NOTE

Designed by	Checked by	Approved by	Date	Scale	Size
FS		FS	2020-04-20	1 : 2	A1
			Nordic M H1 v2		
			300000029_NO	1	2 / 2