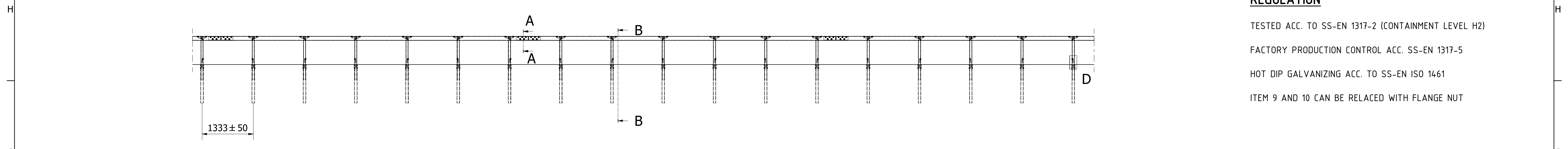
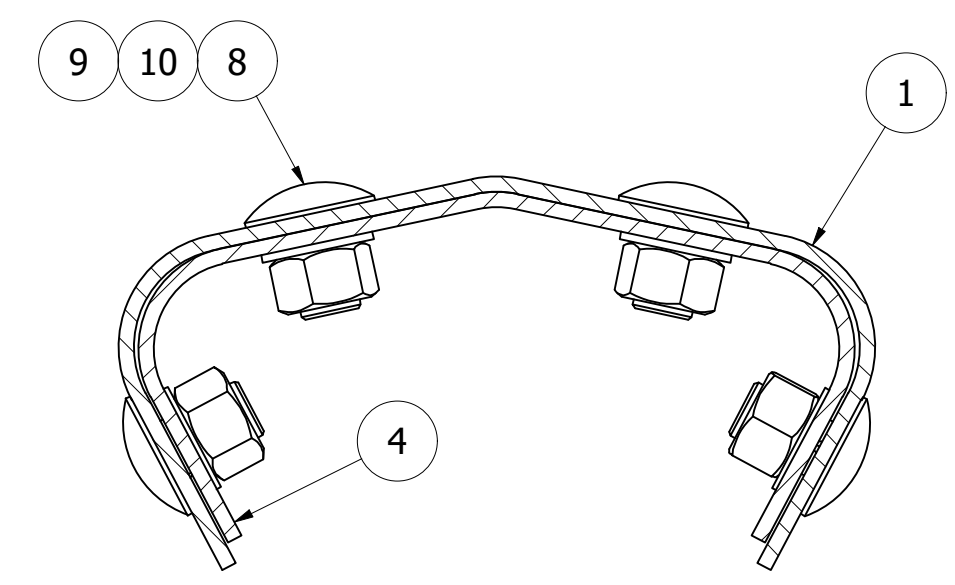


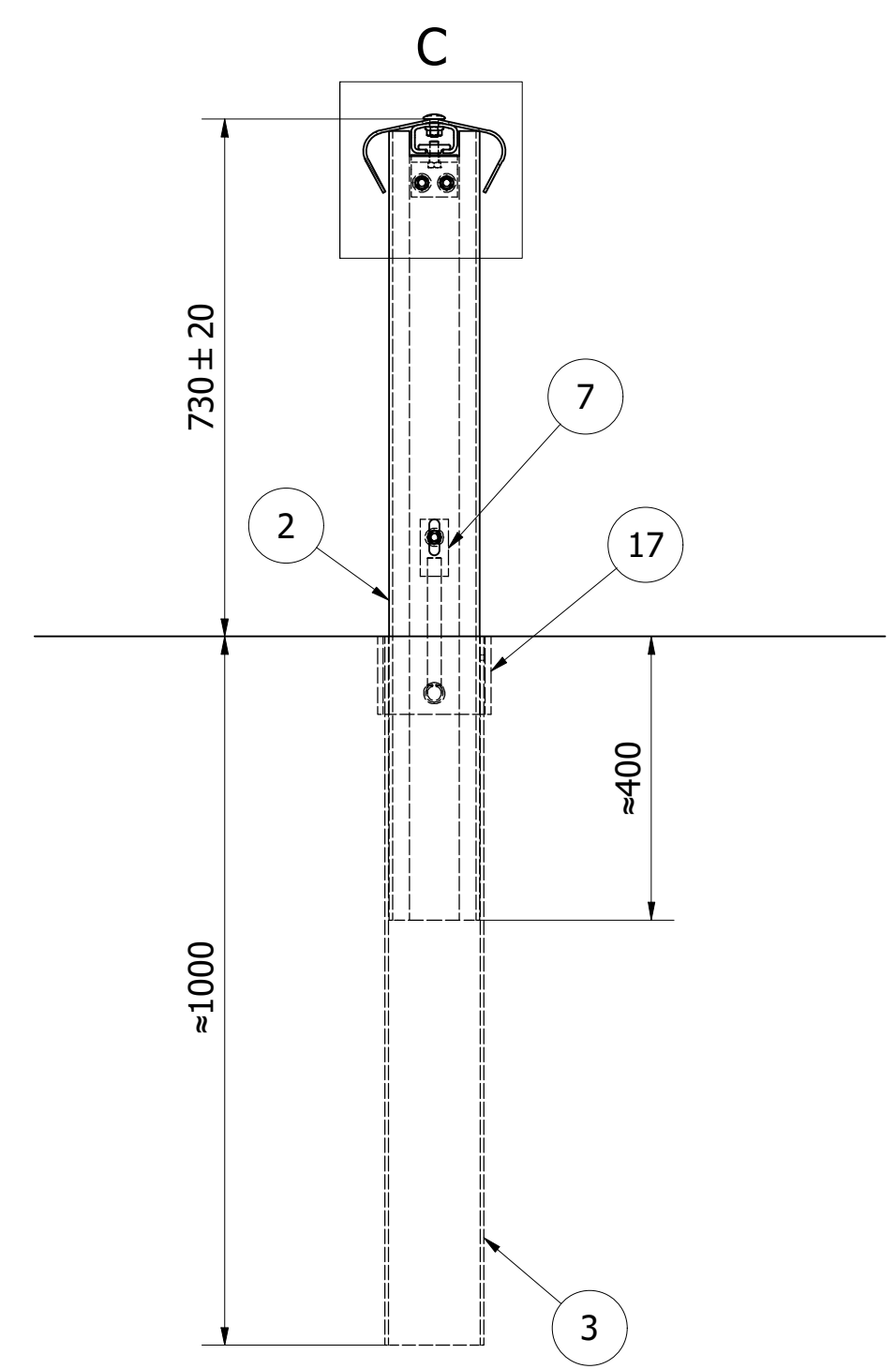
12 11 10 9 8 7 6 5 4 3 2 1



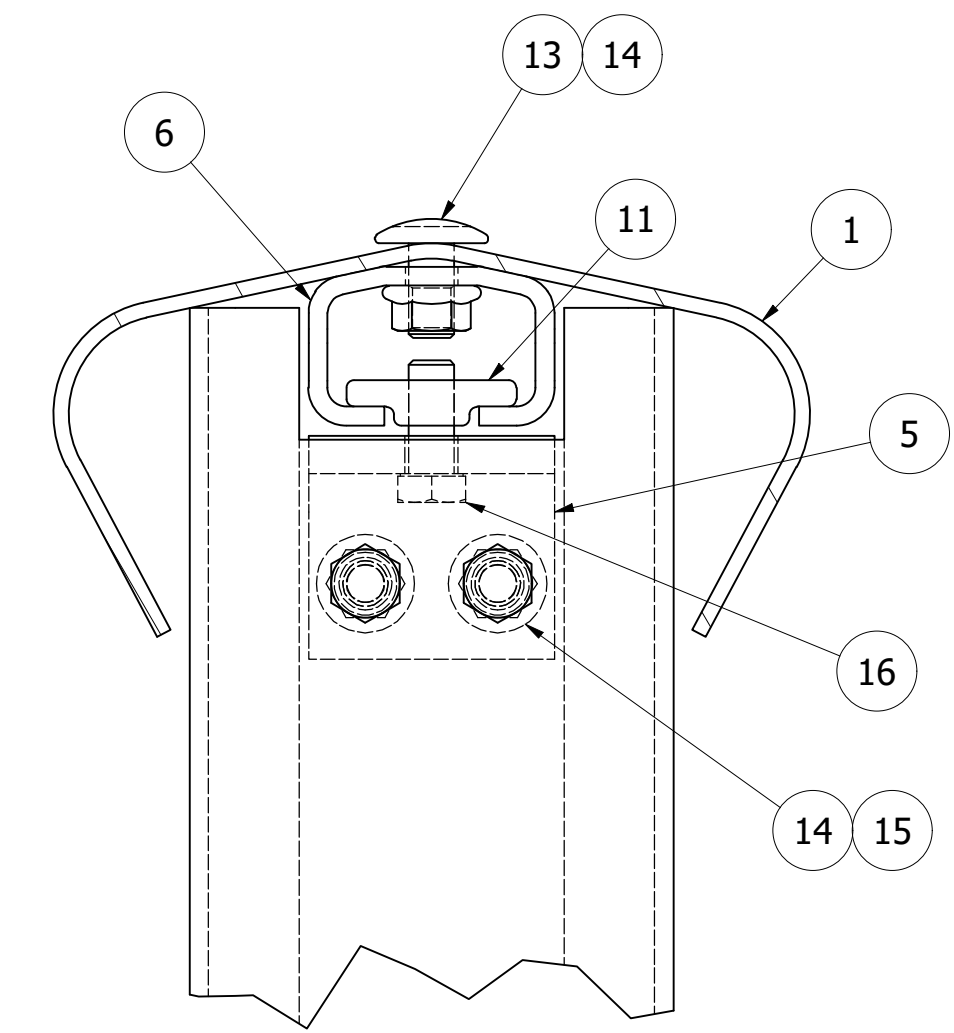
REGULATION
 TESTED ACC. TO SS-EN 1317-2 (CONTAINMENT LEVEL H2)
 FACTORY PRODUCTION CONTROL ACC. SS-EN 1317-5
 HOT DIP GALVANIZING ACC. TO SS-EN ISO 1461
 ITEM 9 AND 10 CAN BE RELACED WITH FLANGE NUT



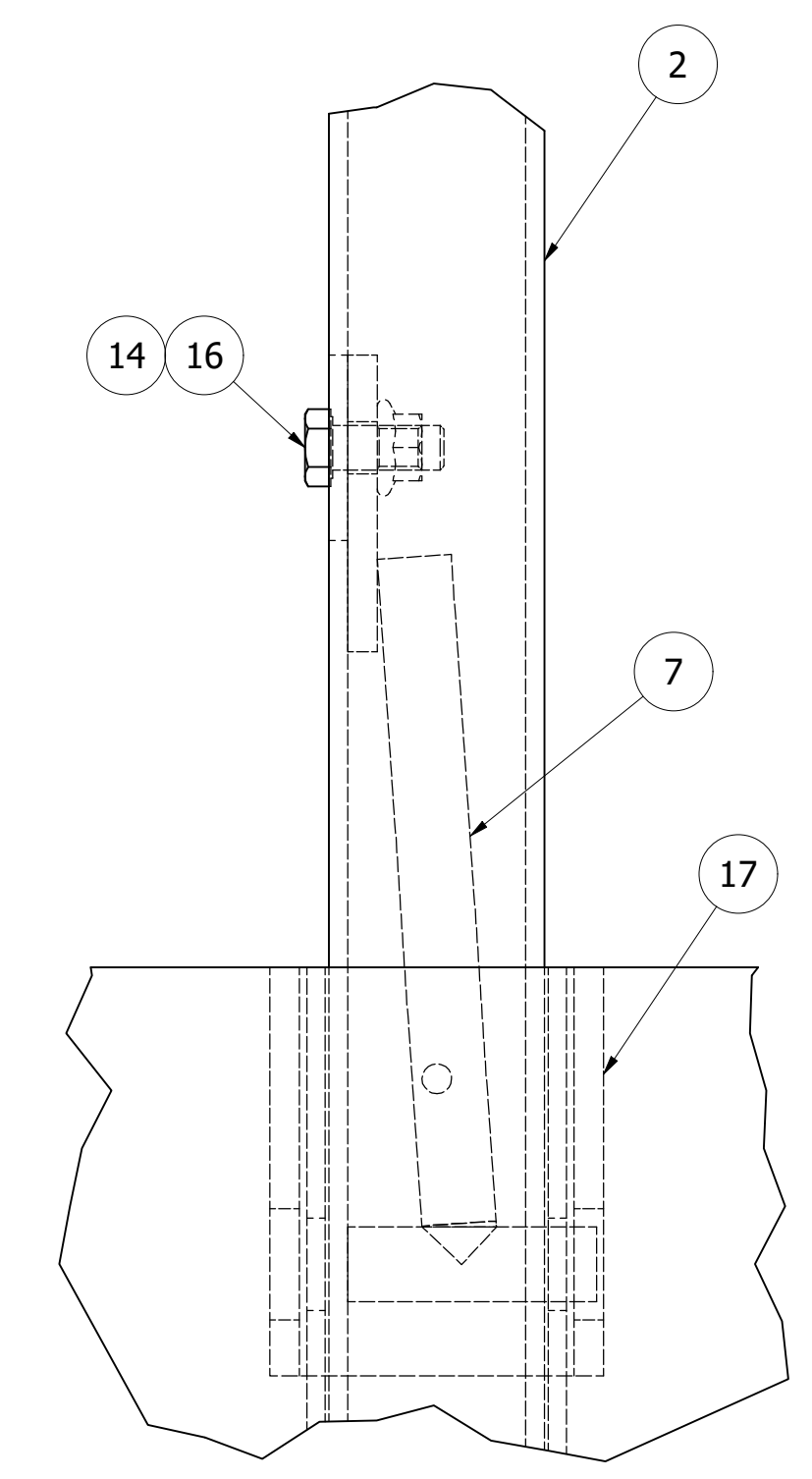
A-A (1:2)



B-B (1:10)



C (1:2)



D (1:2)

ITEM	DESCRIPTION	MAT.	DIM.	NOTE
1	M PROFILE	S355	L=7984	8012490
2	M POST	S355	L= 1113	8012901
3	M FOUNDATION	S355	L=1000	8012919-1
4	M JOINT	S420	L=636	8012907
5	M POST BRACKET	S235	T=10	8012920
6	M BRACKET C PROFIL	S355	L=250	8012921
7	H2 LOOK BAR	S355		8012922
8	ROUND HEAD BOLT	4.6	M16×27	122160270
9	NUT	8	M16	120160000
10	WASHER	-	17×30	126170300
11	NUT 50X45X12	S355	M12	120120001
13	BOLT	8.8	M12x25	122120250
14	FLANGE NUT	8	M12	120120003
15	BOLT	8.8	M12x30	121120250
16	BOLT	8.8	M12x30	121120300
17	M H2 FOUNDATION REINFORCEMENT	S355	L=100	8012919-2

Designed by FS	Checked by FS	Approved by FS	Date 2021-09-05	Scale 1:50	Size A1
			Nordic M H2		
			Item Number 300000031 NO	Edition 0	Sheet 1 / 1

12 11 10 9 8 7 6 5 4 3 2 1