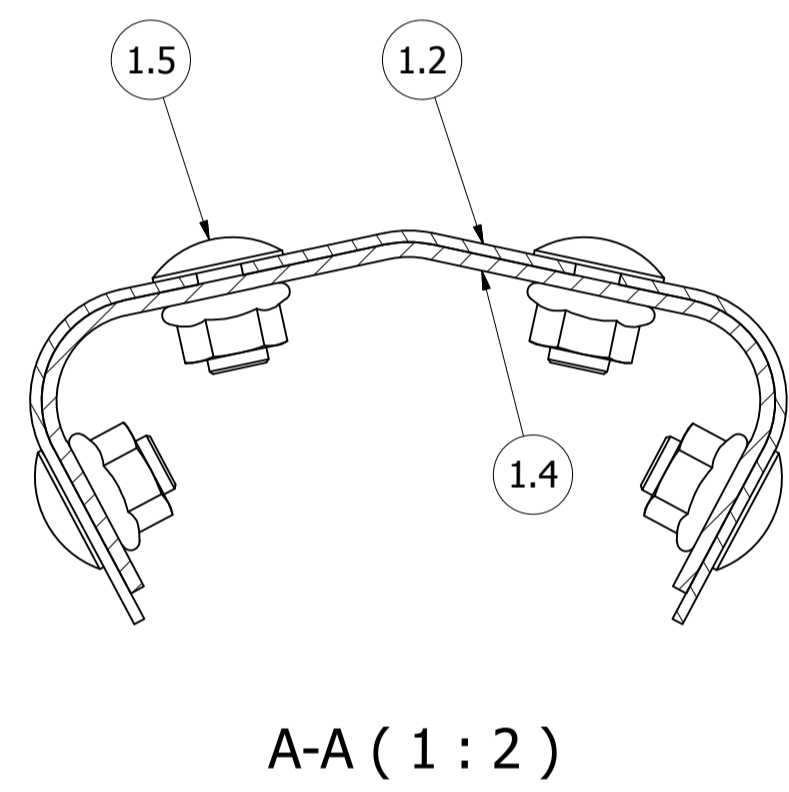
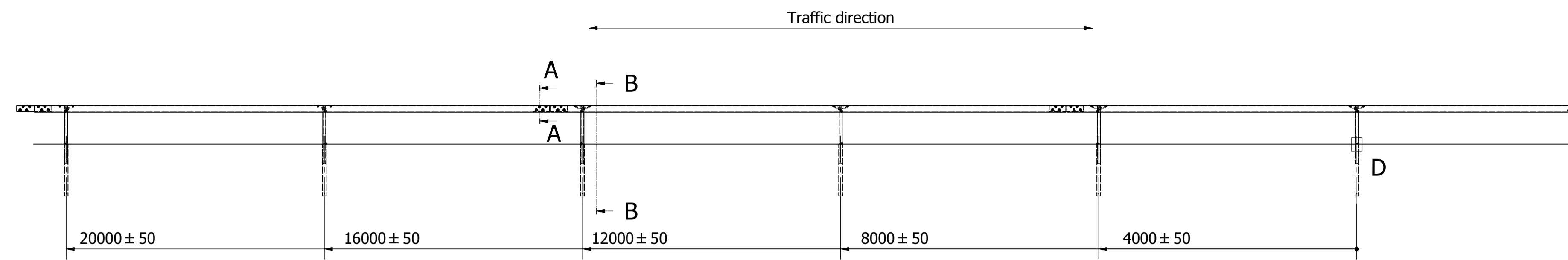


REGULATION

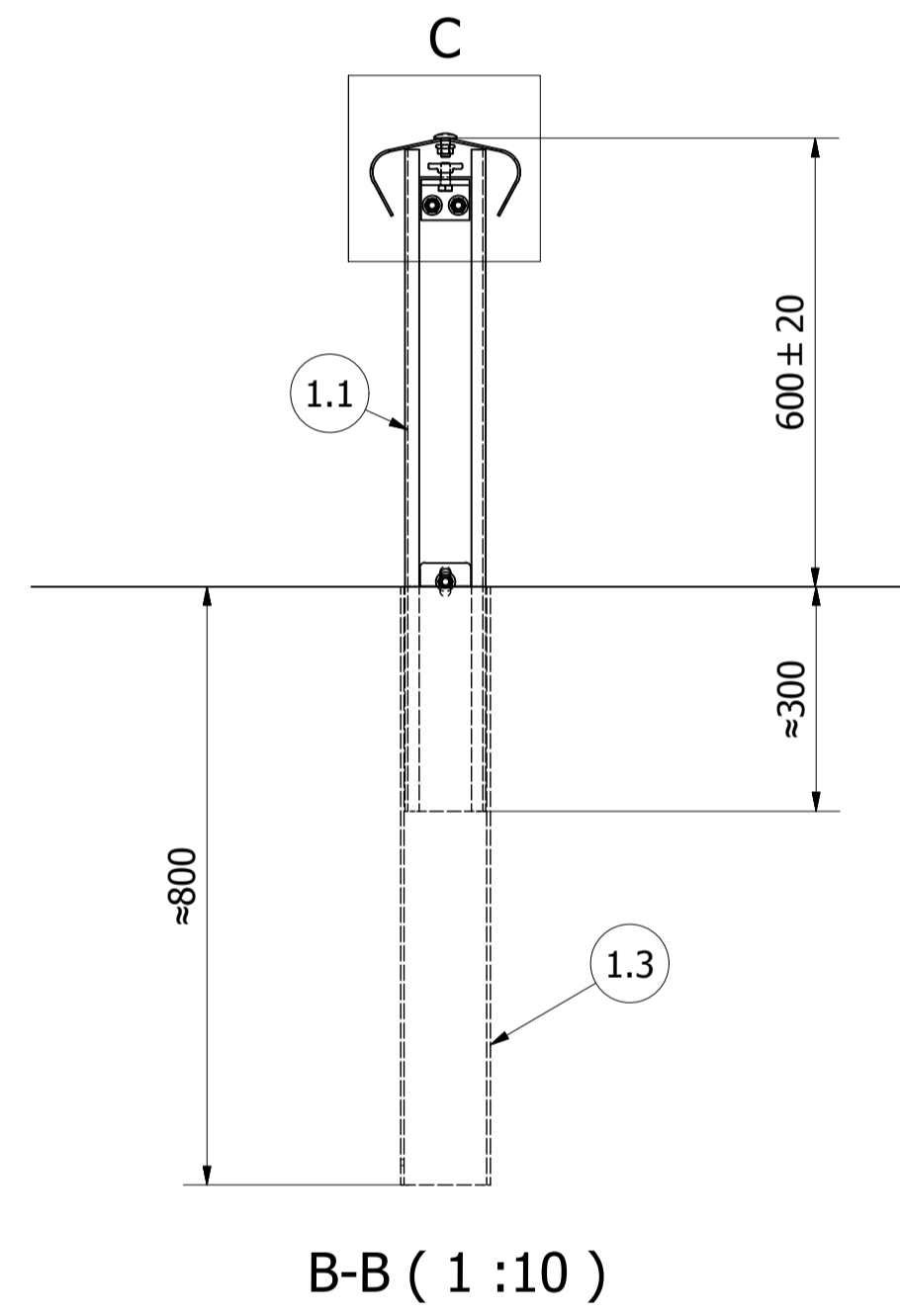
TESTED ACC. TO SS-EN 1317-2 (CONTAINMENT LEVEL N2)

FACTORY PRODUCTION CONTROL ACC. SS-EN 1317-5

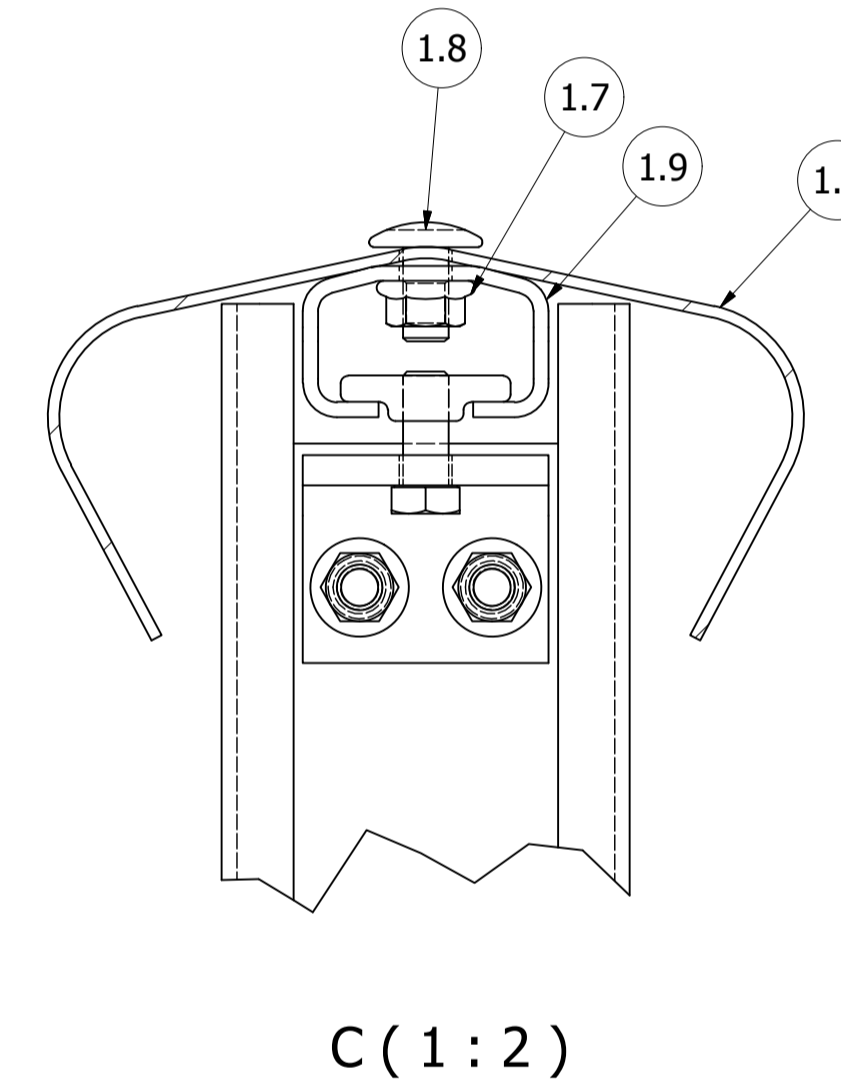
HOT DIP GALVANIZING ACC. TO SS-EN ISO 1461



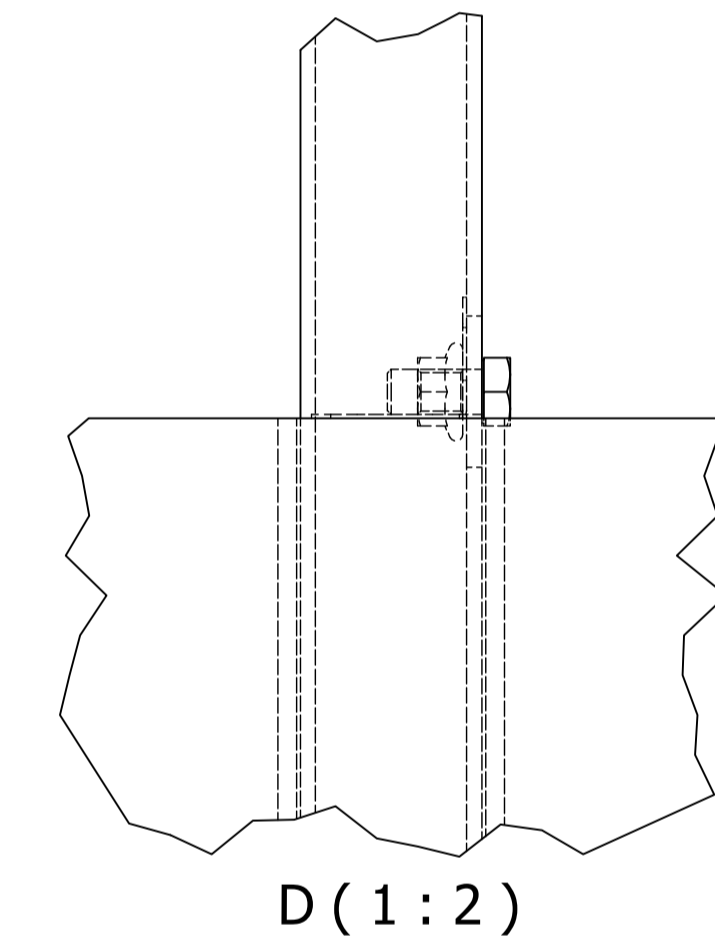
A-A (1 : 2)



B-B (1 : 10)



C (1 : 2)



D (1 : 2)

1.1	M POST		8012435A
1.2	M PROFILE	L=7984	8012433
1.3	M FOUNDATION	L=800	8012436
1.4	M JOINT	L=532	8012434
1.5	ROUND HEAD BOLT	M16x27	122160270A
1.7	FLANGE NUT	M12	120120003
1.8	BOLT	M12x25	122120250
1.9	M BRACKET C PROFIL	L=250	8012449
ITEM	DESCRIPTION	DIM.	NOTE

Designed by	Checked by	Approved by	Date	Scale	Size
		FS	2018-09-23	1:50	A1
			Nordic M N2		
			Item Number	Edition	Sheet
			300000006 NO	0	1 / 1