

**REGULATION**

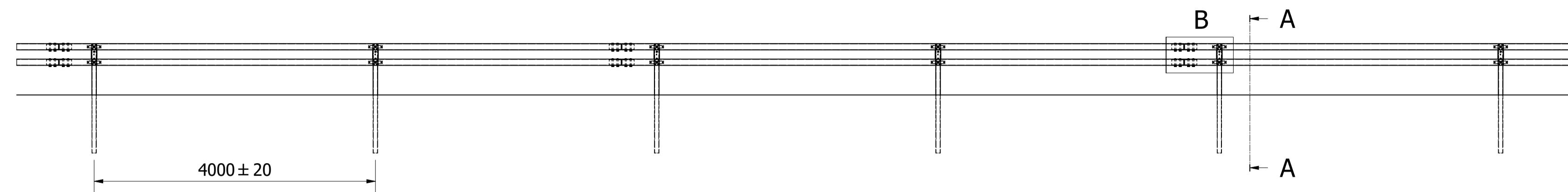
TESTED ACC. TO SS-EN 1317-2 (CONTAINMENT LEVEL H1)

FACTORY PRODUCTION CONTROL ACC. SS-EN 1317-5

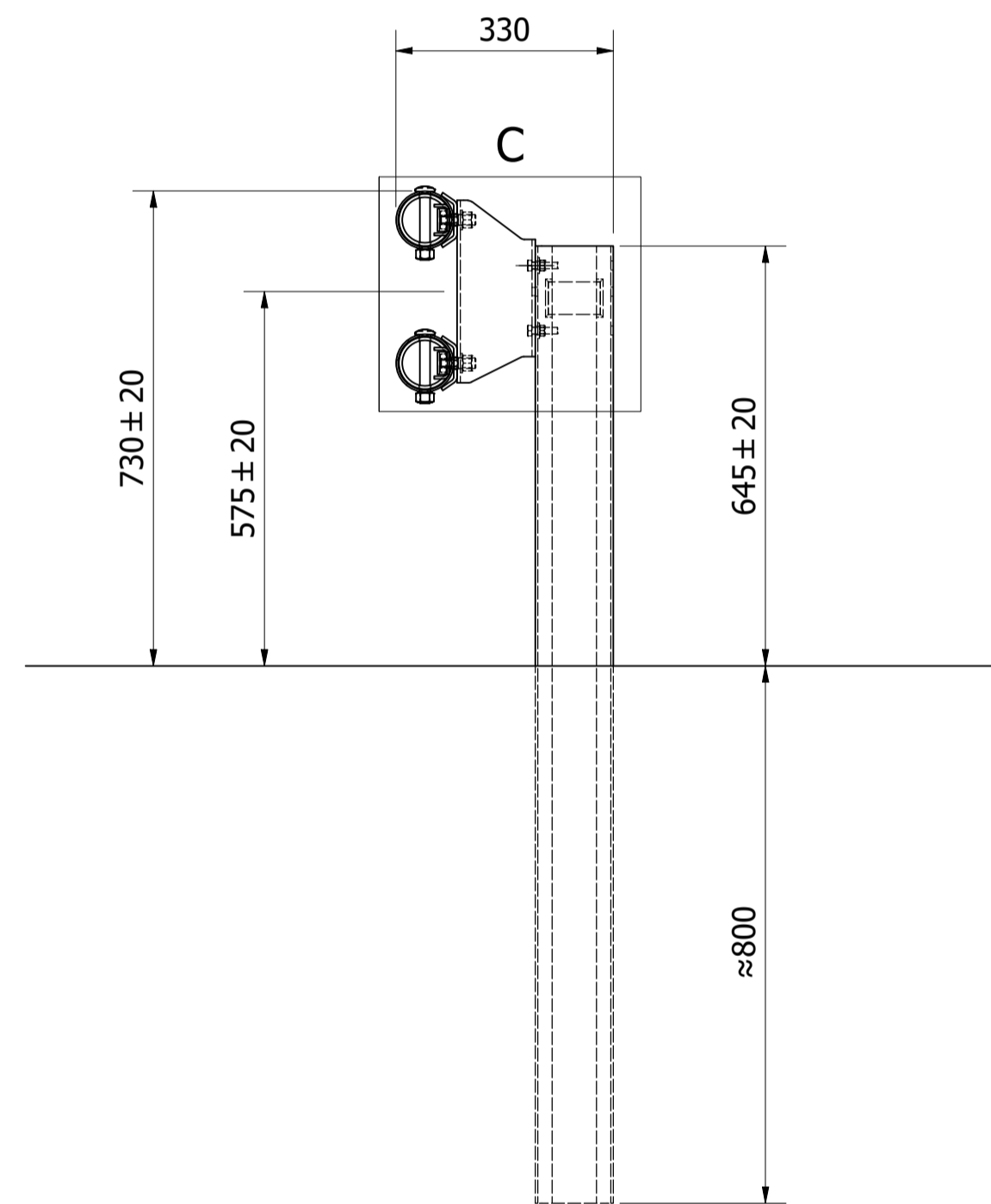
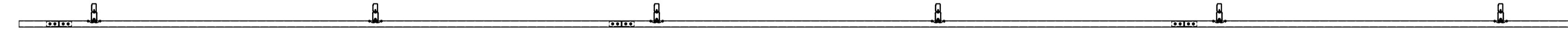
HOT DIP GALVANIZING ACC. TO SS-EN ISO 1461

ITEM 6 & 7 (WASHER AND NUT) CAN BE REPLACED WITH FLANGE NUT

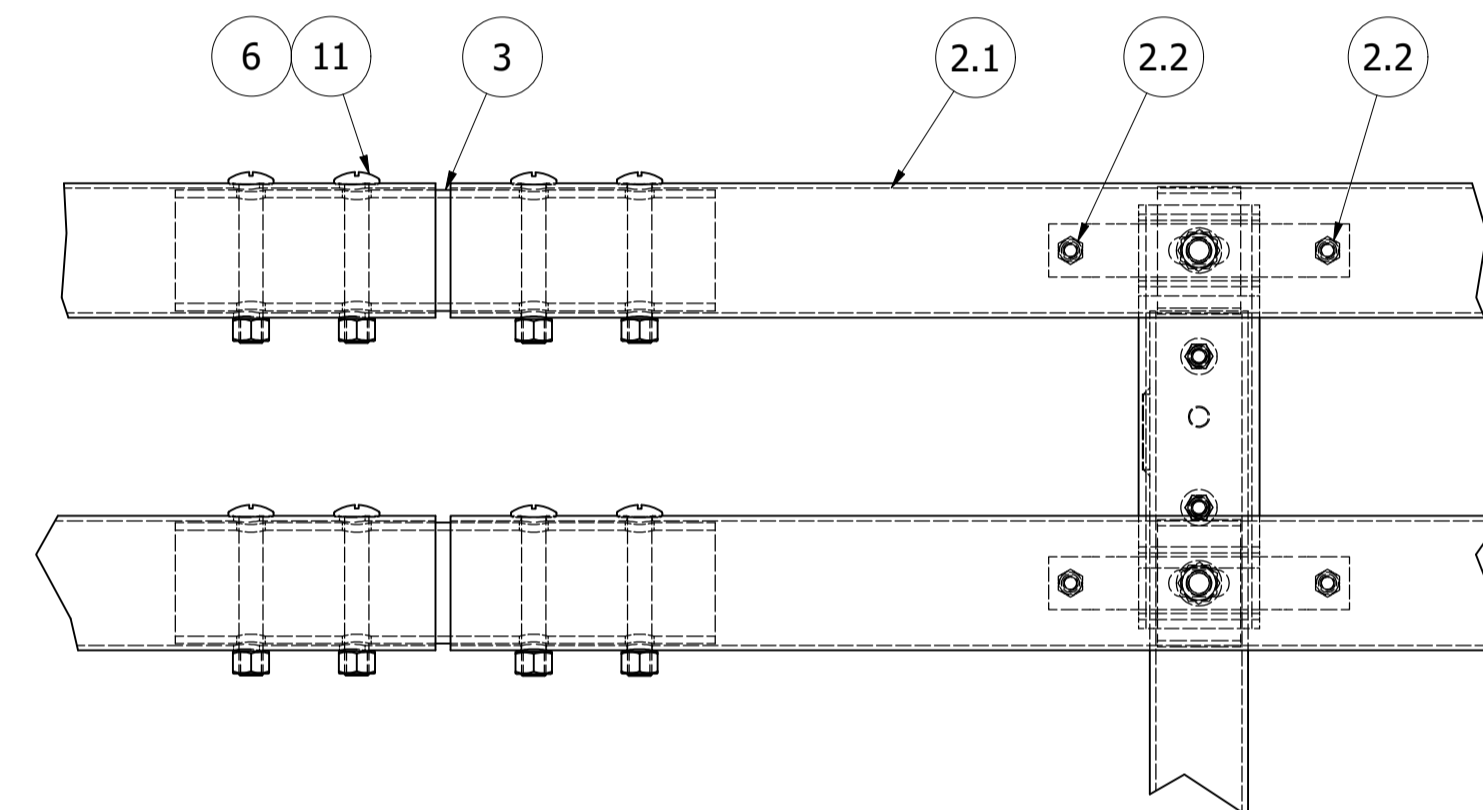
ITEM 9 & 10 (WASHER AND NUT) CAN BE REPLACED WITH FLANGE NUT



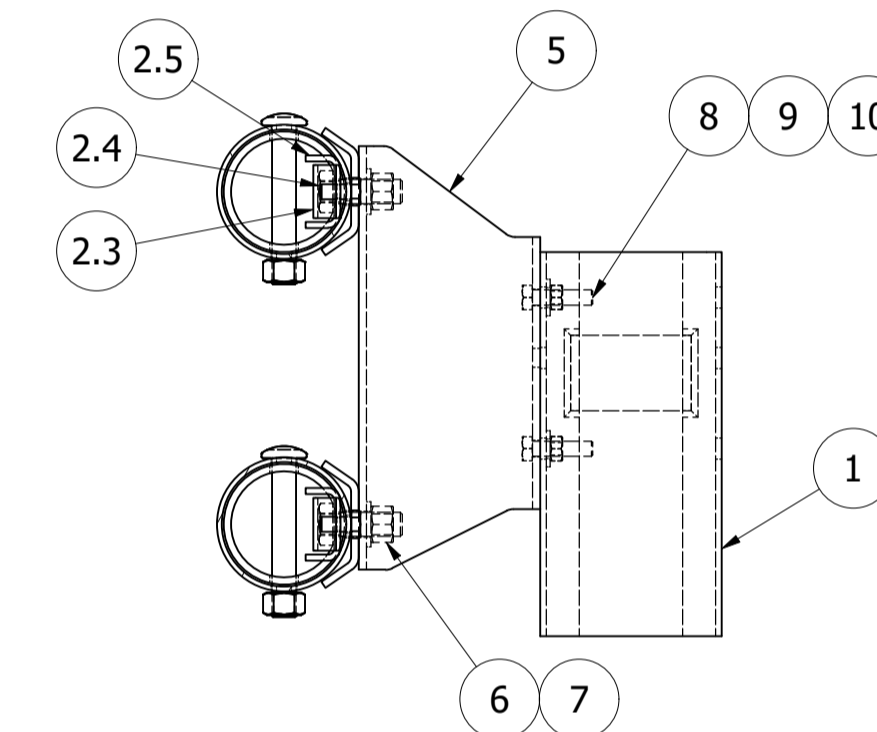
( 1 : 50 )



A-A ( 1 : 10 )



B ( 1 : 5 )



C ( 1 : 5 )

1	Nordic POST	S355	L=1445	8012485N
2.1	R H1 SAFETY RAIL	S355	L=7990	8012295
2.2	BOLT	8.8	M10x20	121100200
2.3	Nordic R INNER BRACKET	S355	T=3	8012231
2.4	BOLT	8.8	M16x45	121160450
2.5	Nordic R M16 INNER U-BRACKET	S355	T=4	8012235
3	Nordic R H1 JOINT L=360mm	S355	L=360	8012297
4	Nordic R M16 V-WASHER	S355	T=5	8012236
5	DISTANCE ELEMENT	S355		8012294
6	NUT	8	M16	120160000
7	WASHER	-	17x30	126170300
8	BOLT	8.8	M10x40	121100400
9	WASHER	-	13x24	126130240
10	NUT	8	M10	120100000
11	BOLT	8.8	M16x105	122161050
ITEM	DESCRIPTION	MAT.	DIM.	NOTE

Designed by	Checked by	Approved by	Date	Scale	Size
FS			2023-03-22	1 : 50	A1
			Nordic R H1		
			300000049 - NO	Edition	Sheet
			0	1 / 1	