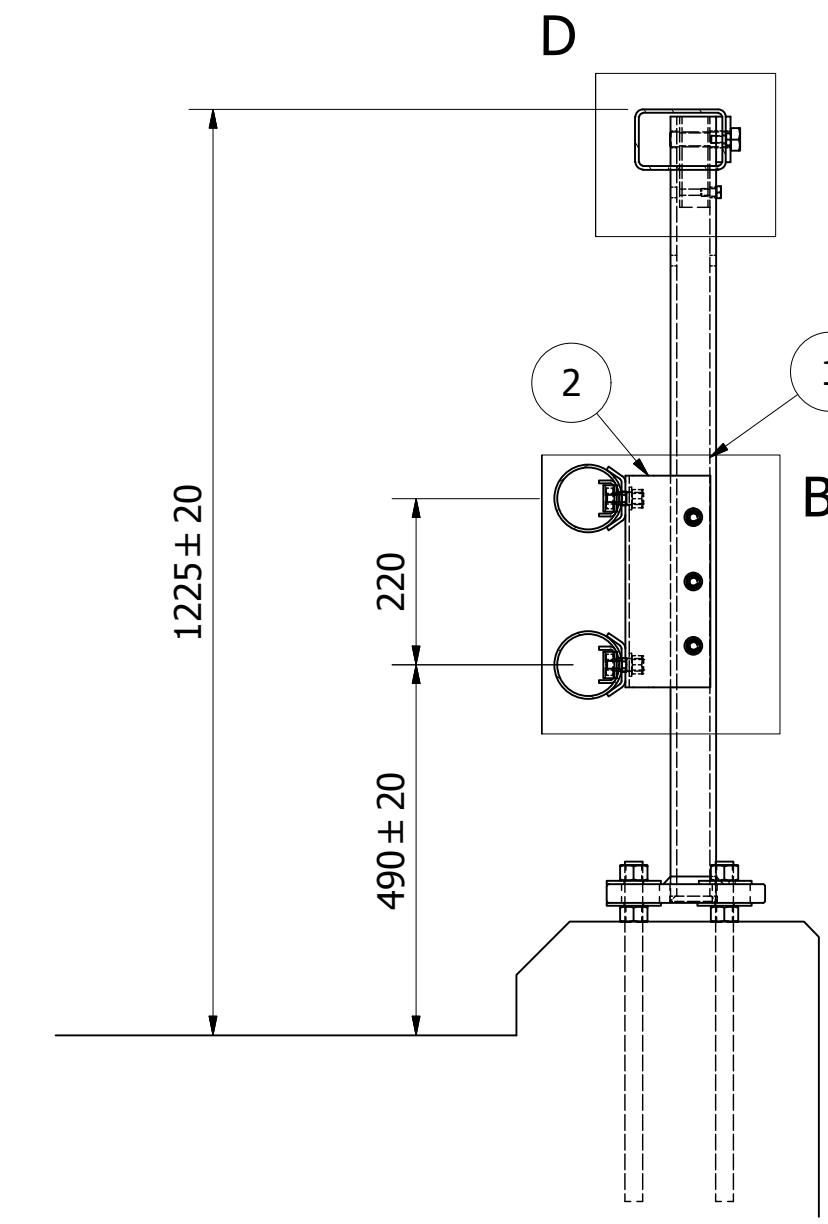
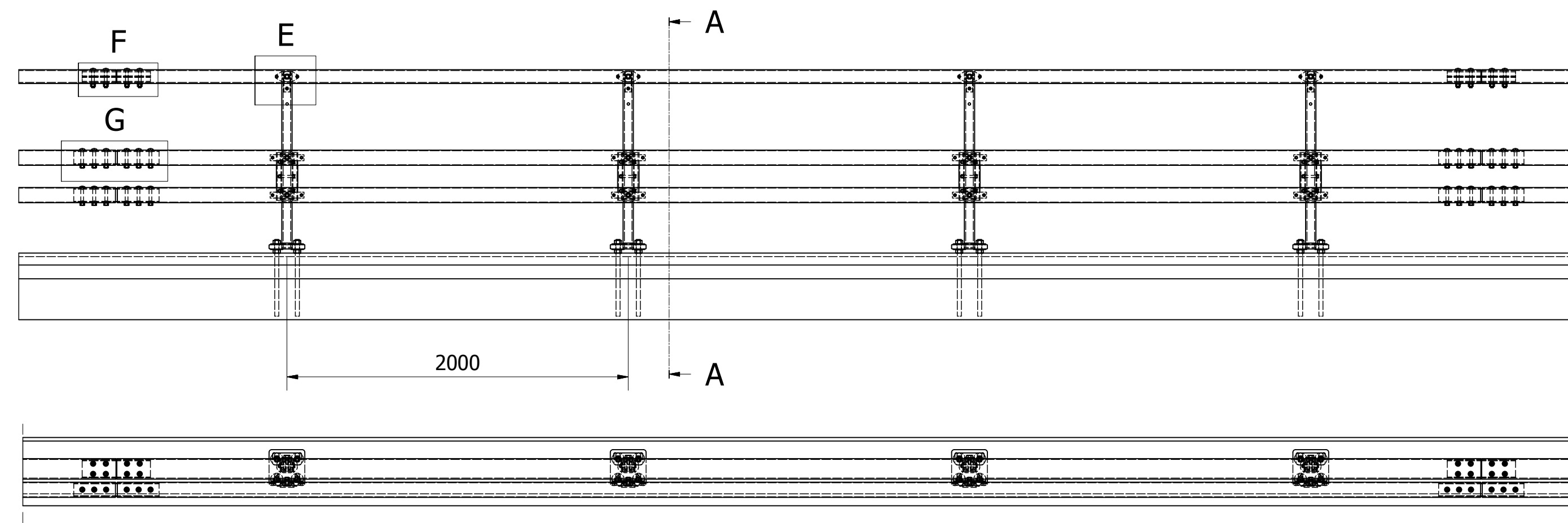


REGULATION

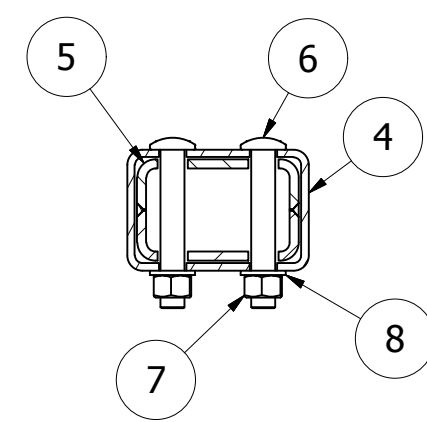
TESTED ACC. TO SS-EN 1317-2 (CONTAINMENT LEVEL H2)

FACILITY PRODUCTION CONTROL ACC. SS-EN 1317-5

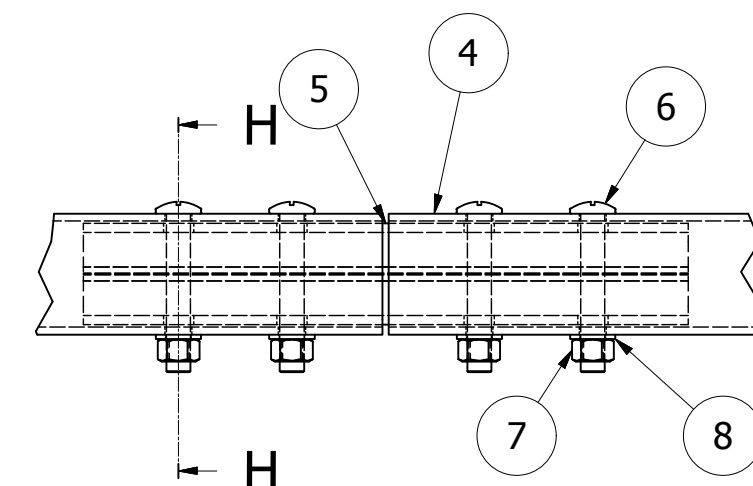
HOT DIP GALVANIZING ACC. TO SS-EN ISO 1461



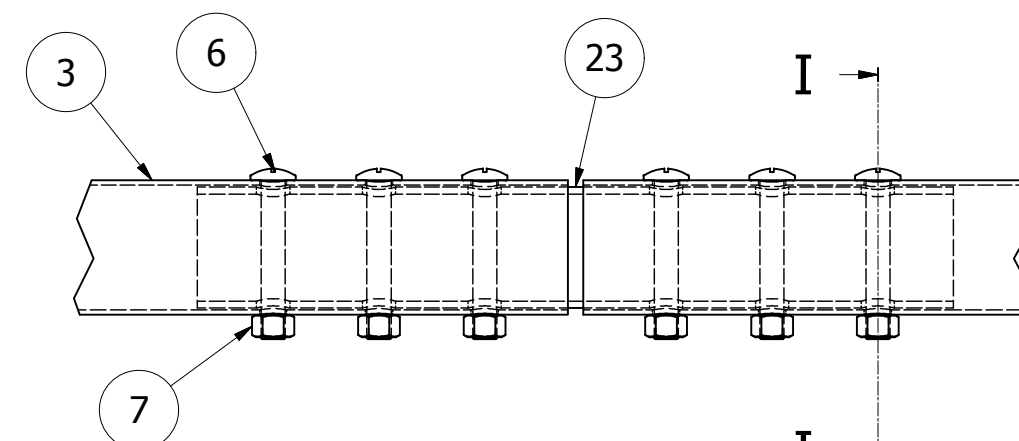
A-A (1 : 10)



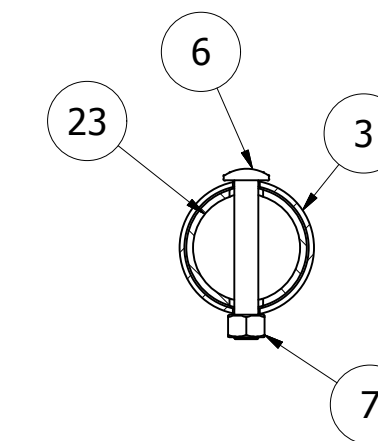
H-H (1 : 5)



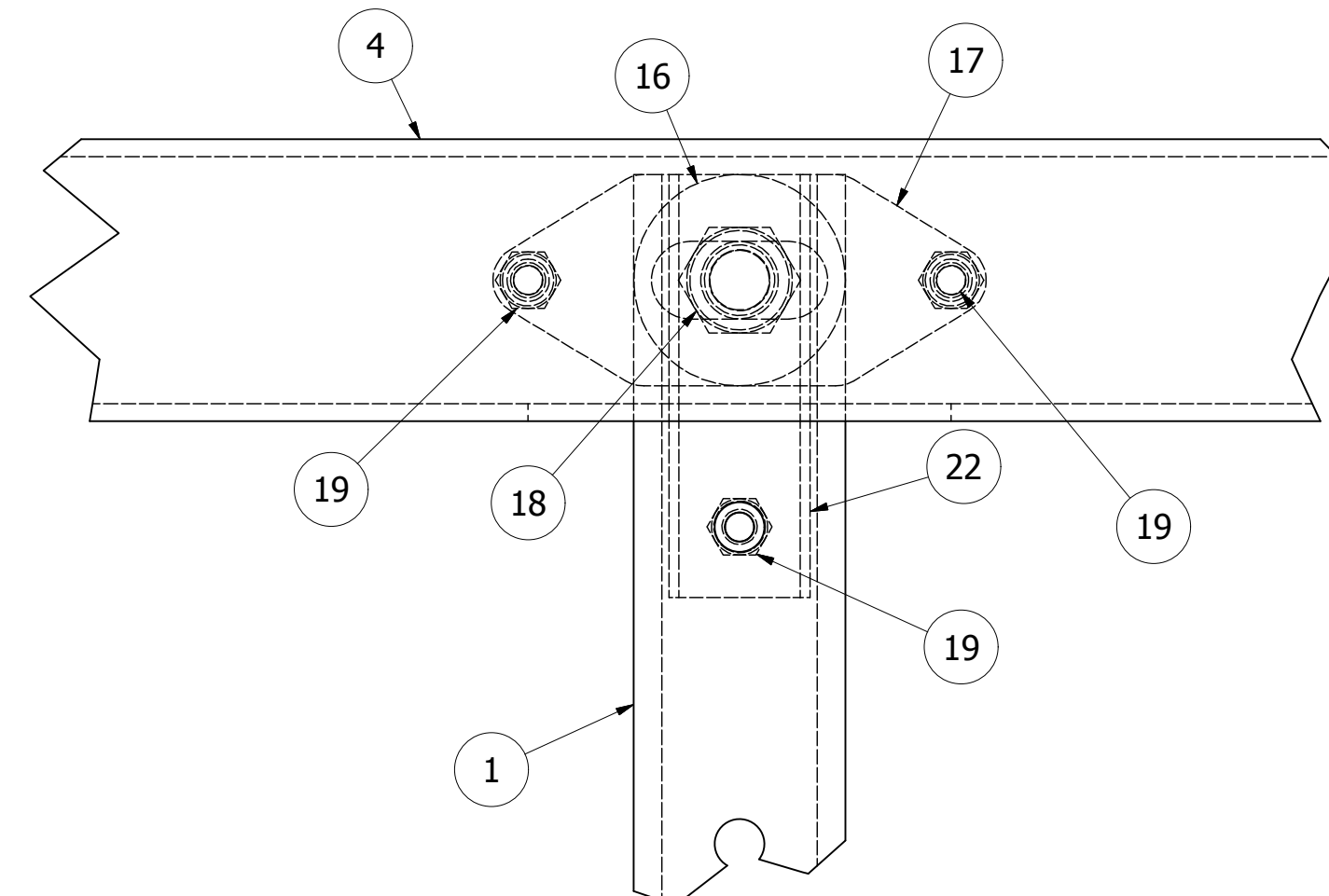
F (1 : 5)



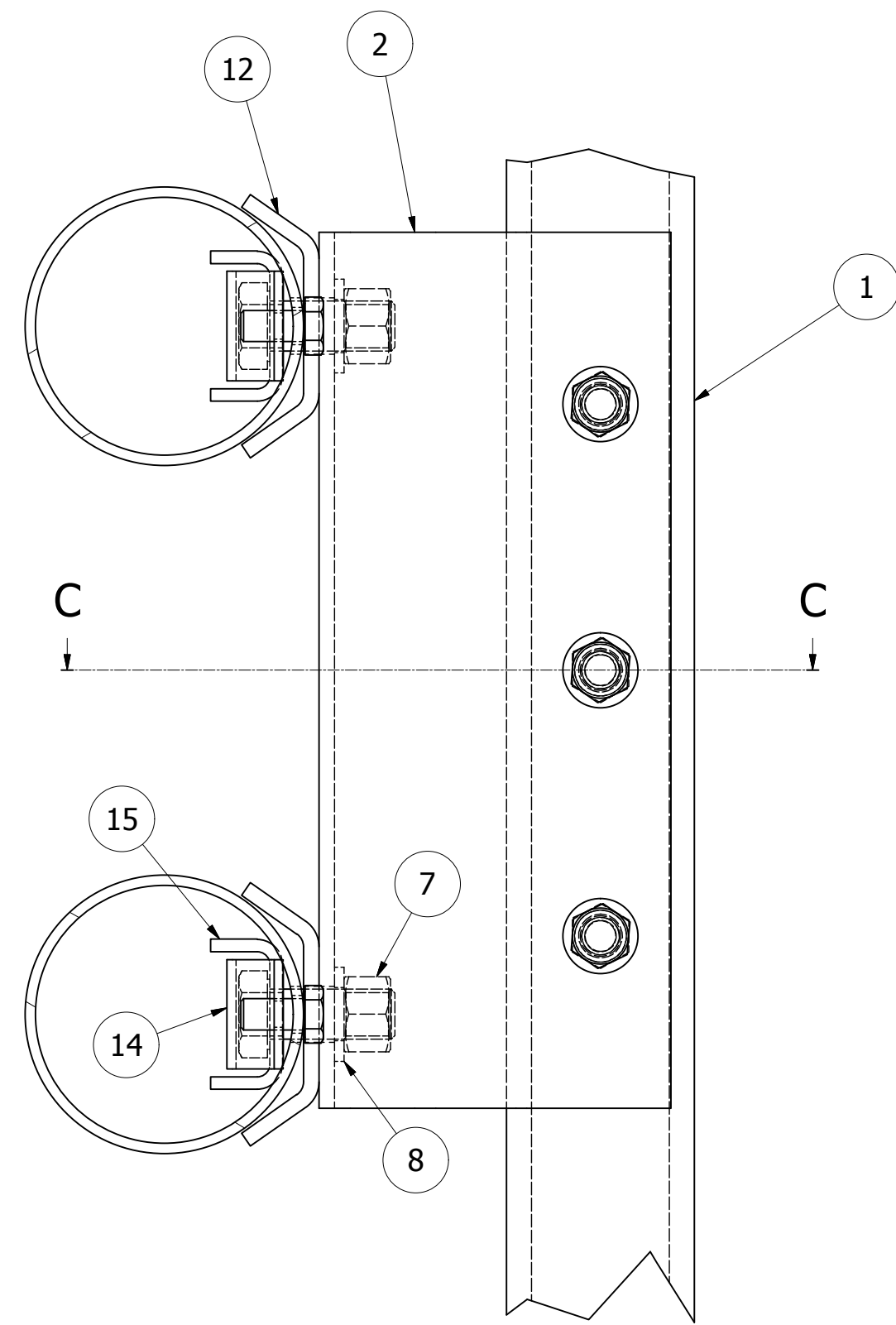
G (1 : 5)



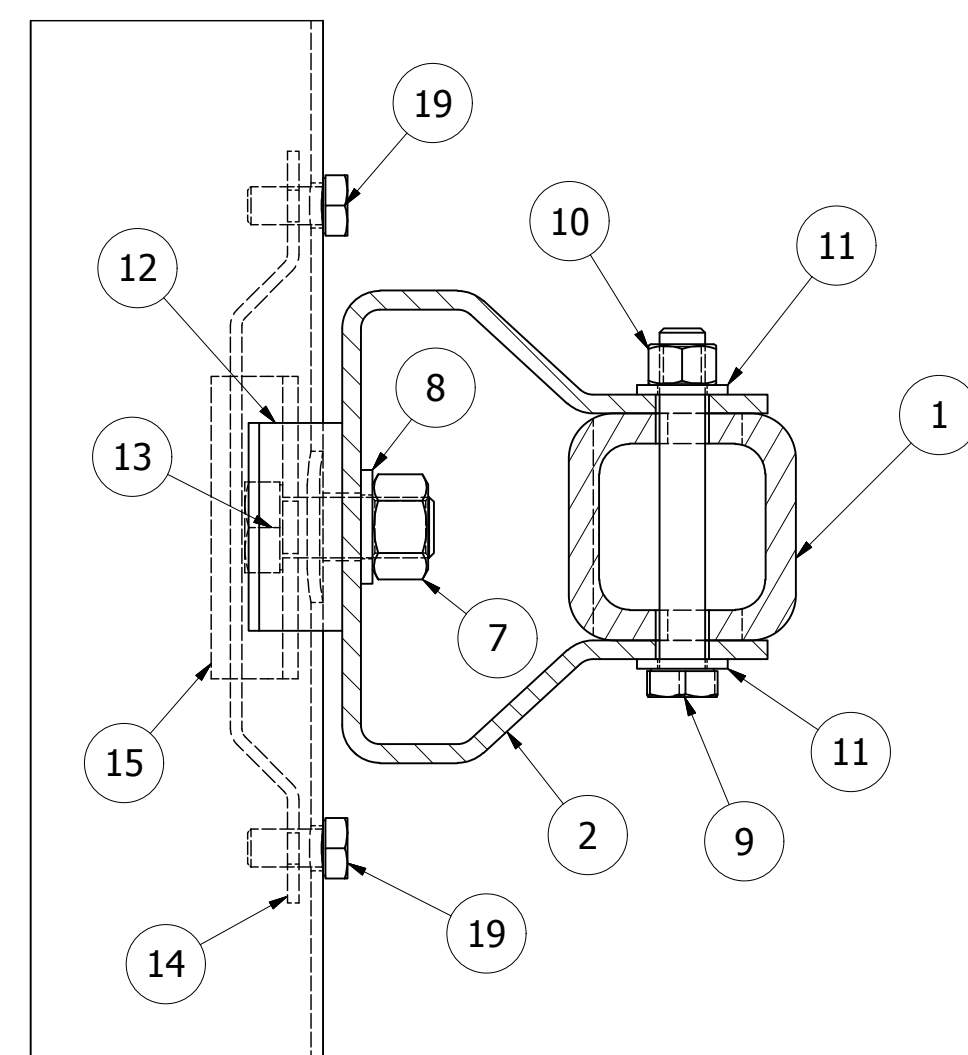
I-I (1 : 5)



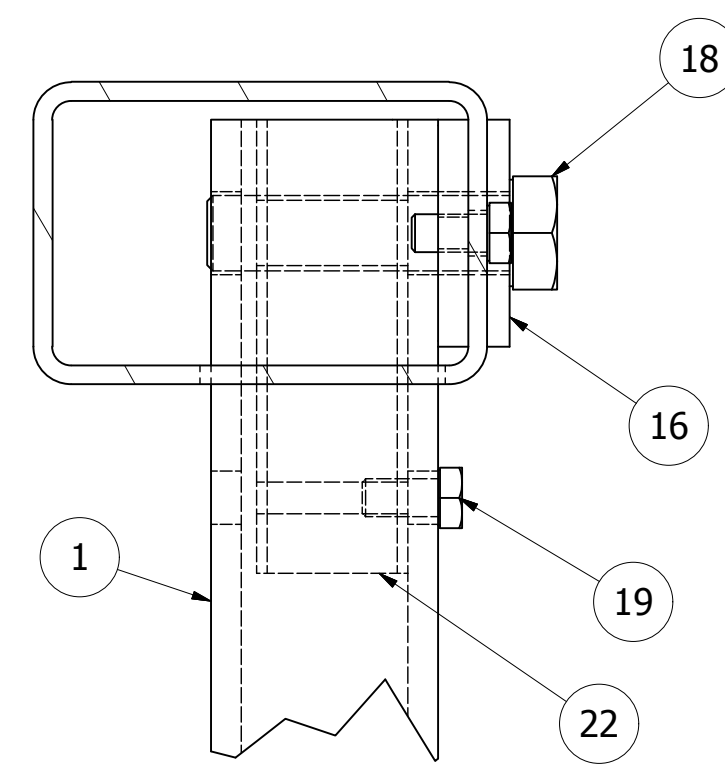
E (1 : 2)



B (1 : 2)



C-C (1 : 2)



D (1 : 2)

ITEM	DESCRIPTION	DIM.	NOTE
1	H2 HIGH POST	L=1040	8111033
2	DISTANSELEMENT	T=5	8113041
3	R H2 SAFETY RAIL	L=7990	8012233
4	Nordic TOP RAIL	L=7996	8112058
5	JOINT TOP RAIL	L=400	8113013
6	BOLT	M16x105	122161050
7	NUT	M16	120160000
8	WASHER	17x30	126170300
9	BOLT	M12x90	121120900
10	NUT	M12	120120000
11	WASHER	13x24	126130240
12	Nordic R H2 V-WASHER	T=5	8012236
13	BOLT	M16x40	121160400
14	Nordic R INNER BRACKET	T=3	8012231
15	Nordic R H2 INNER U-BRACKET	T=4	8012235
16	WASHER	22x60x6	126220600
17	INSTALLATION WASHER	140x60x8	8113014
18	BOLT	M20x80	121200801
19	BOLT	M10x20	121100200
22	INSTALLATIONSMUTTER	40x40x120	8113042
23	Nordic R H2 JOINT	L=500	8012234

Designed by	Checked by	Approved by	Date	Scale	Size
		FS	2018-09-23	1:25, 1:10, 1:5, 1:2	A1
			Nordic R H2 High		
			Item Number	Edition	Sheet
			300000011 NO	0	1 / 1