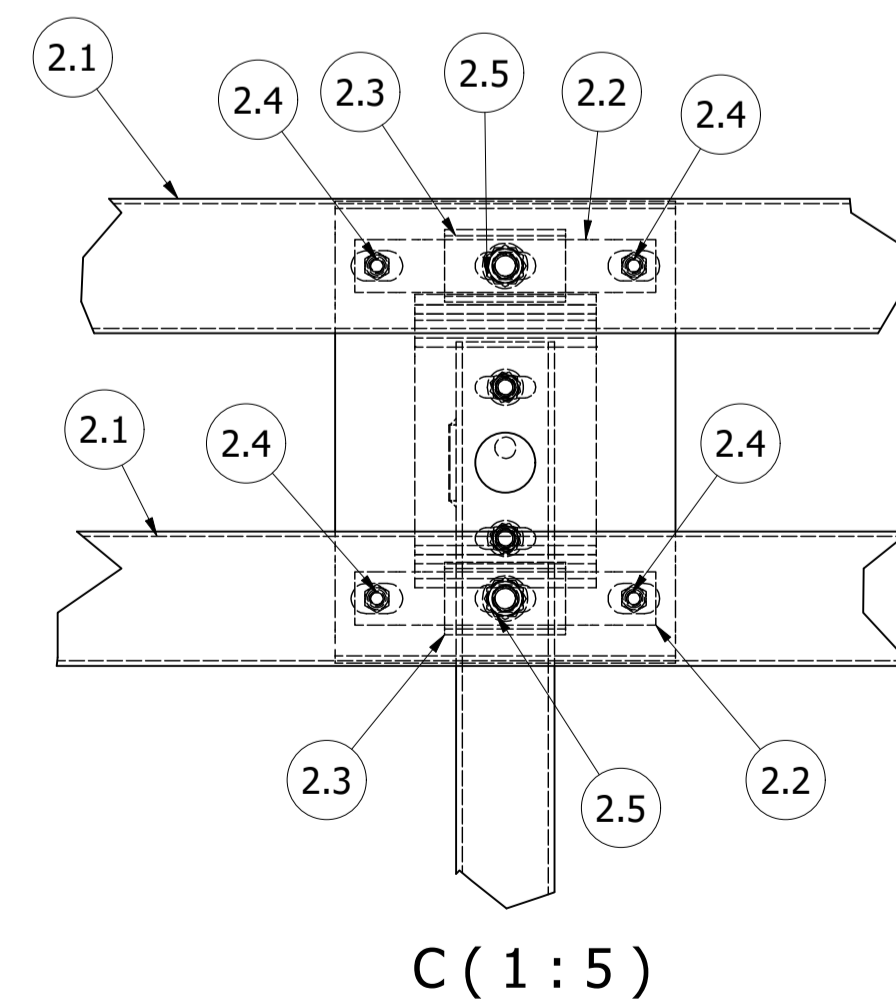
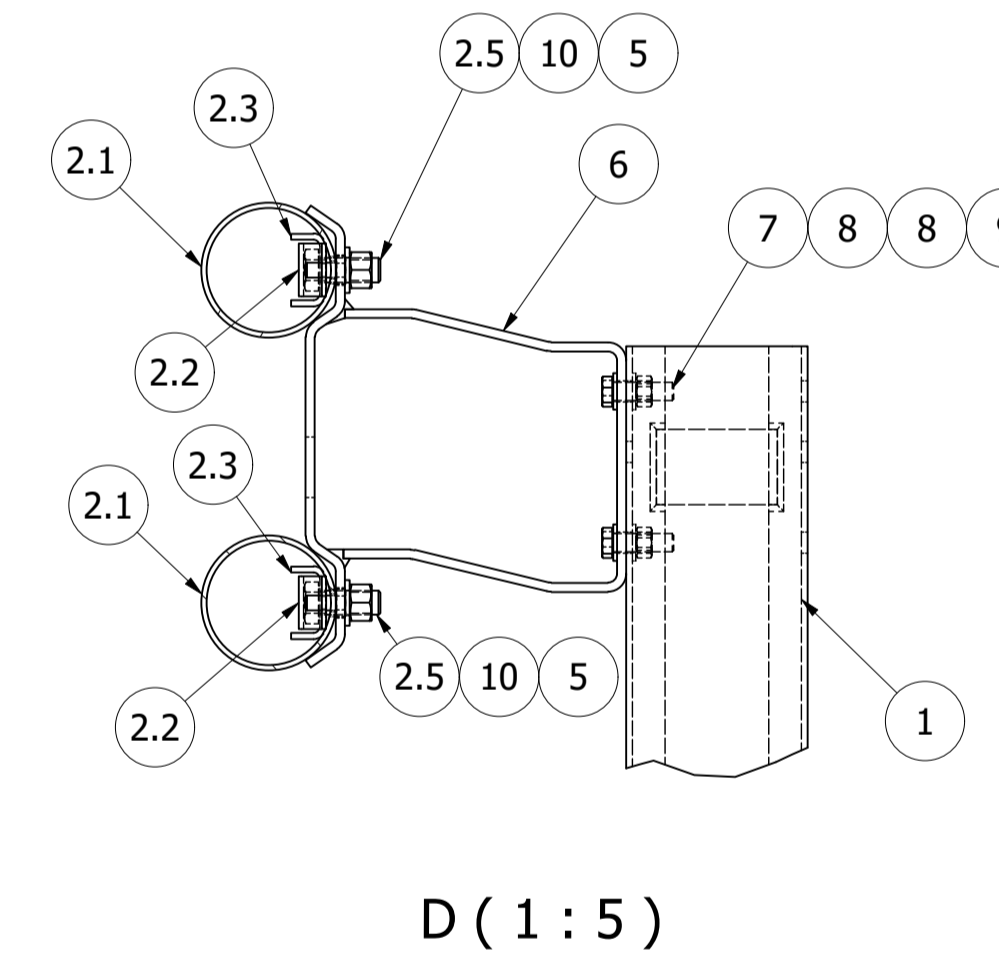
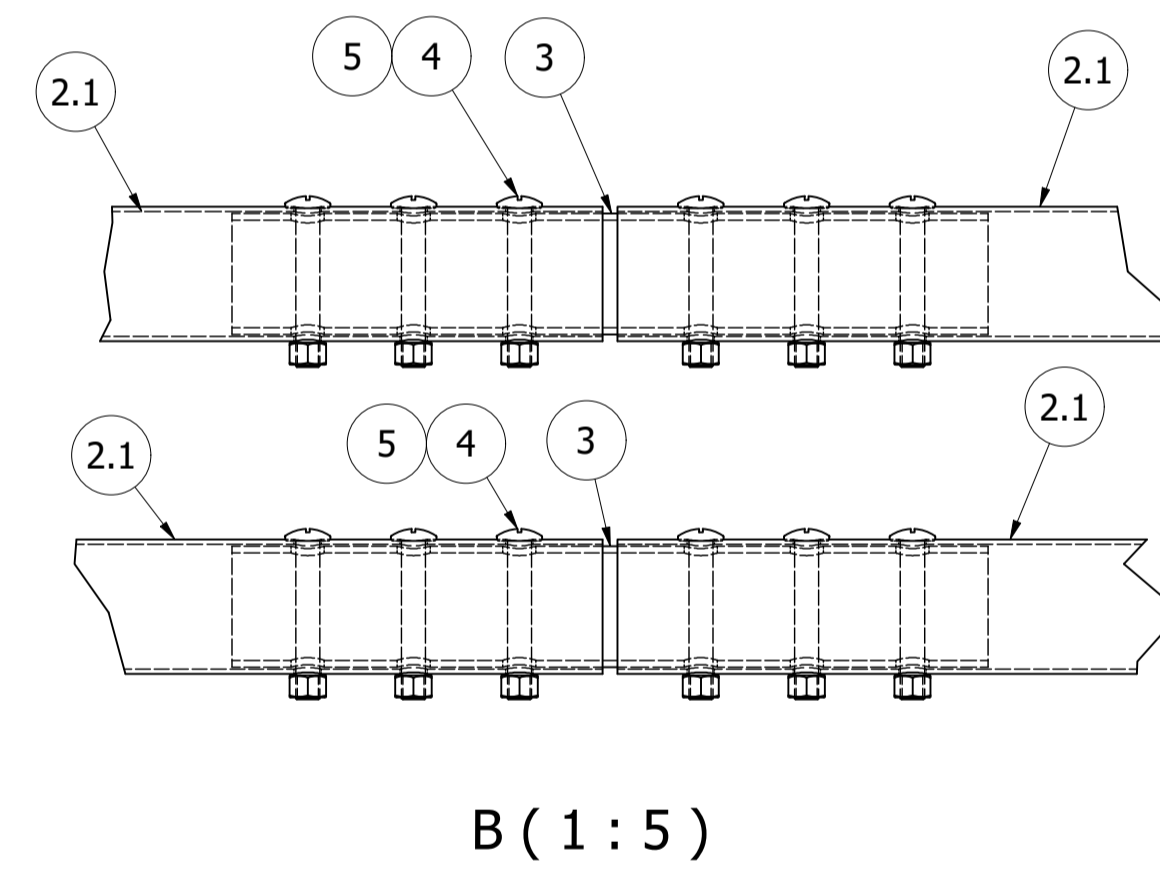
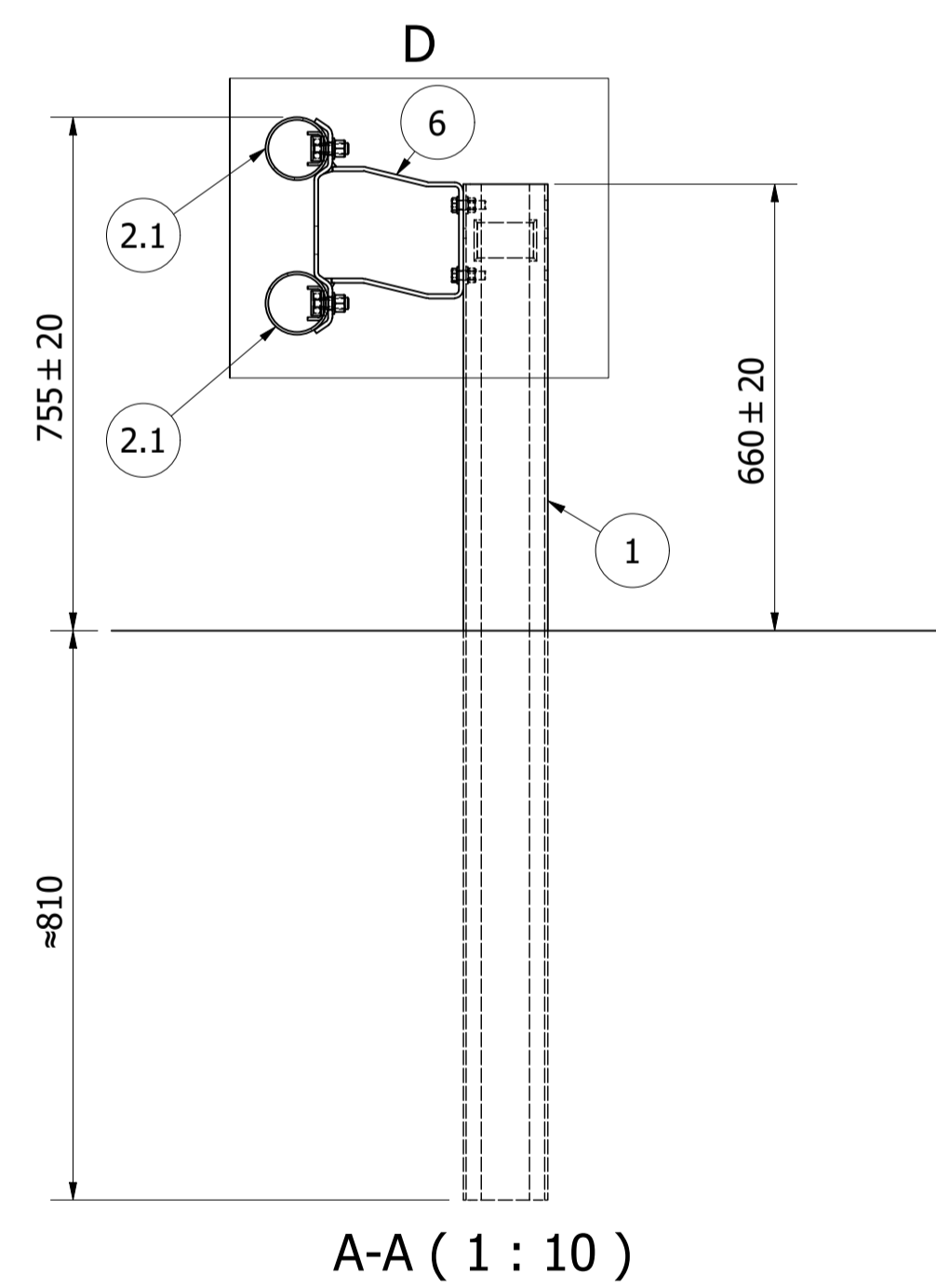
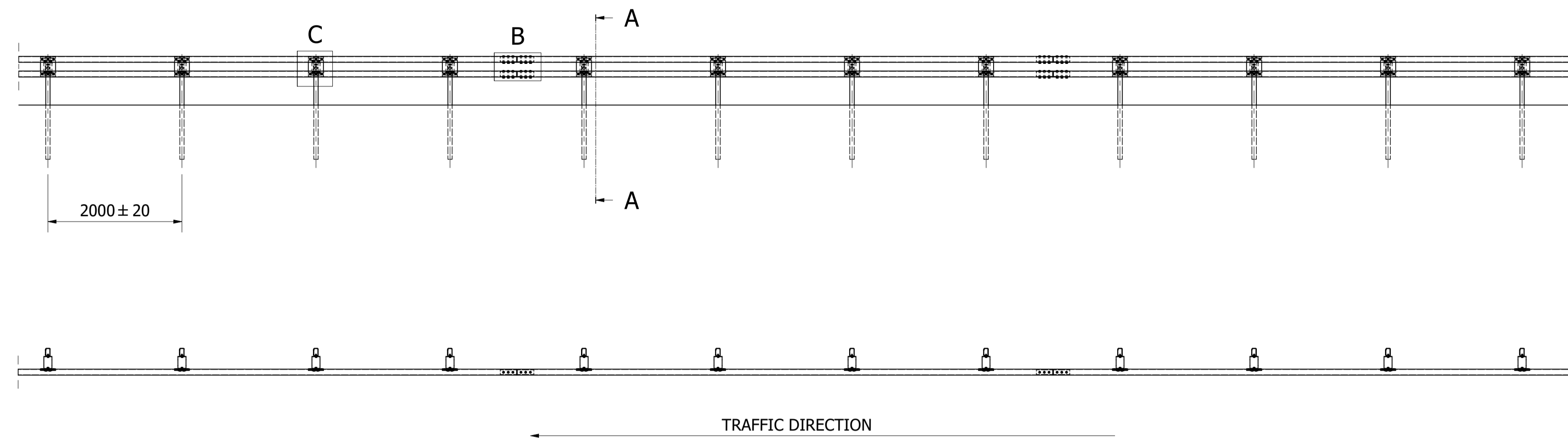


REGULATION

TESTED ACC. TO SS-EN 1317-2 (CONTAINMENT LEVEL H2)

FACTORY PRODUCTION CONTROL ACC. SS-EN 1317-5

HOT DIP GALVANIZING ACC. TO SS-EN ISO 1461



1	Nordic POST	S355	L=1470	8012485N
2.1	R H2 SAFETY RAIL	S355	L=7990	8012233
2.2	Nordic R INNER BRACKET	S355	T=3	8012231
2.3	Nordic R H2 INNER U-BRACKET	S355	T=4	8012235
2.4	BOLT	8.8	M10x20	121100200
2.5	BOLT	8.8	M16x40	121160400
3	Nordic R H2 JOINT	S355	L=500	8012234
4	BOLT	8.8	M16x105	122161050
5	NUT	-	M16	120160000
6	DEFORMATIONSELEMENT	S355		8012483
7	BOLT	8.8	M12x40	121120400
8	BRICKA	-	13x24	126130240
9	SEKKANTSMUTTER	-	M12	120120000
10	BRICKA	-	17x30	126170300
ITEM	DESCRIPTION	MAT.	DIM.	NOTE

Designed by	Checked by	Approved by	Date	Scale	Size
			2020-04-09	1:50	A1
			Nordic R H2 Low		
			Item Number	Edition	Sheet
			300000017 - NO	0	1 / 1