

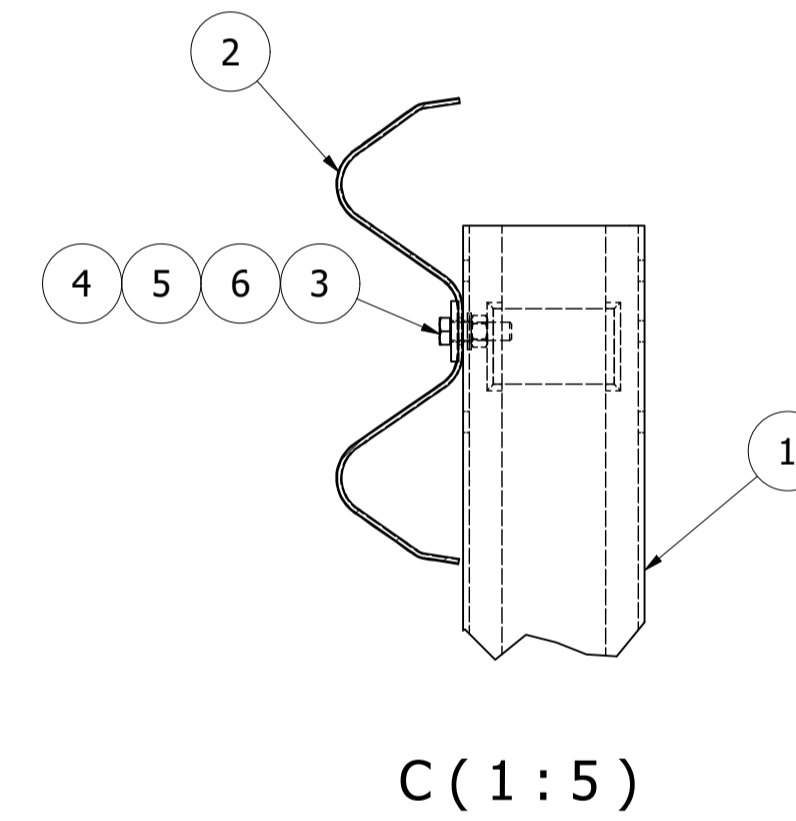
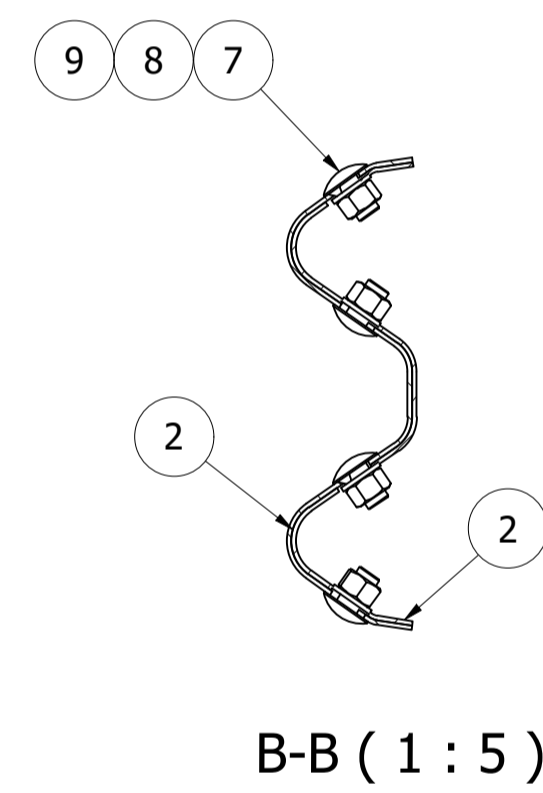
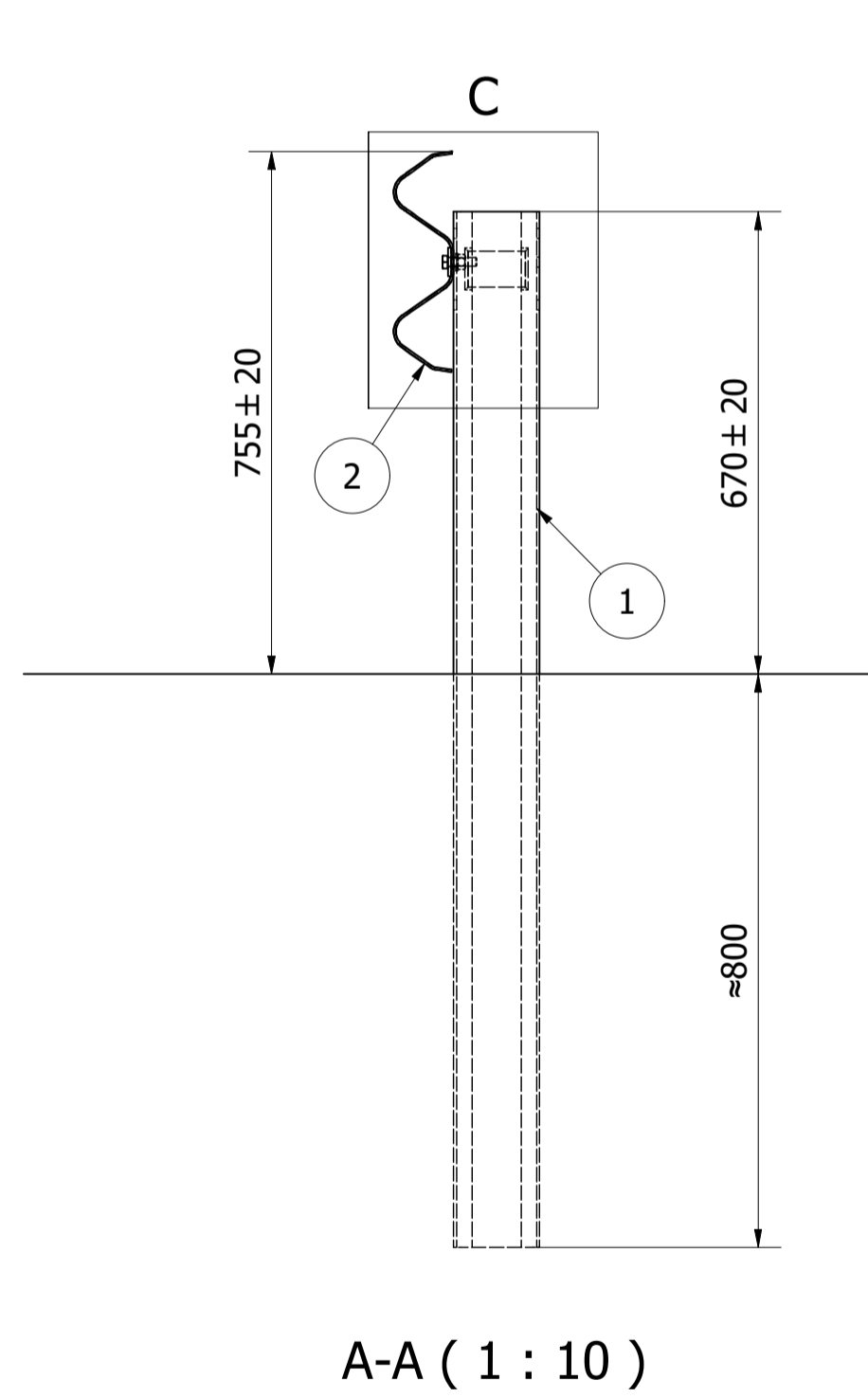
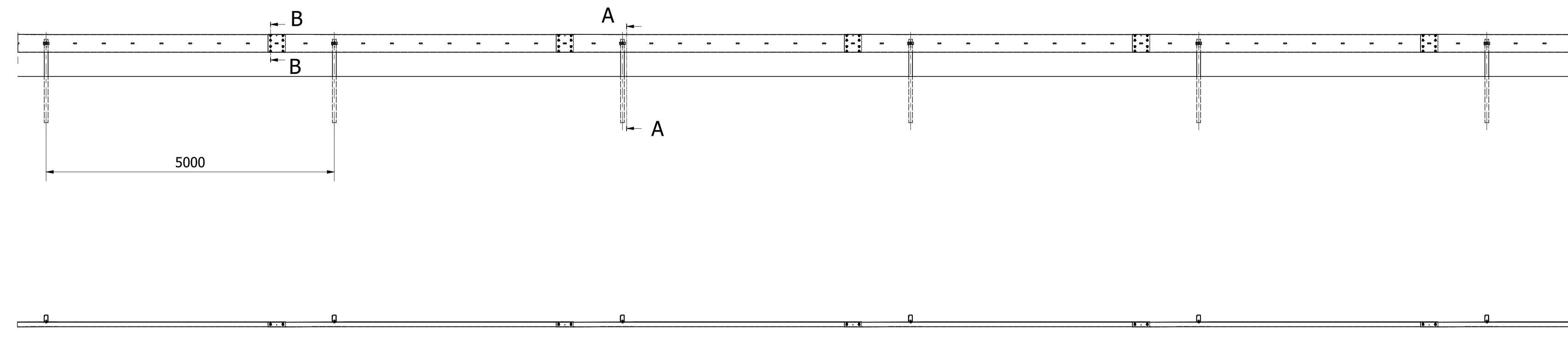
REGULATION

TESTED ACC. TO SS-EN 1317-2 (CONTAINMENT LEVEL H1)

FACTORY PRODUCTION CONTROL ACC. SS-EN 1317-5

HOT DIP GALVANIZING ACC. TO SS-EN ISO 1461

FLANGE NUT IS AN ALTERNATIVE TO ITEM 8 AND 9



1	Nordic POST	S355	L=1470	8012485N
2	W PROFIL	S235	L=5300	8012345
3	BOLT	8.8	M12x40	121120400
4	NUT	-	M12	120120000
5	WASHER	-	13x24	126130240
6	WASHER100X40	S235	T=5	127141000
7	ROUND HEAD NIB BOLT	4.6	M16x25	122160250
8	WASHER	-	17x30	126170300
9	NUT	-	M16	120160000
ITEM	DESCRIPTION	MAT.	DIM.	NOTE

Designed by	Checked by	Approved by	Date	Scale	Size
FS	FS	FS	2020-04-18	1:50	A1
			Nordic W H1 Green		
			Item Number	Edition	Sheet
			300000019 H1 NO	0	1 / 1