

REGULATION

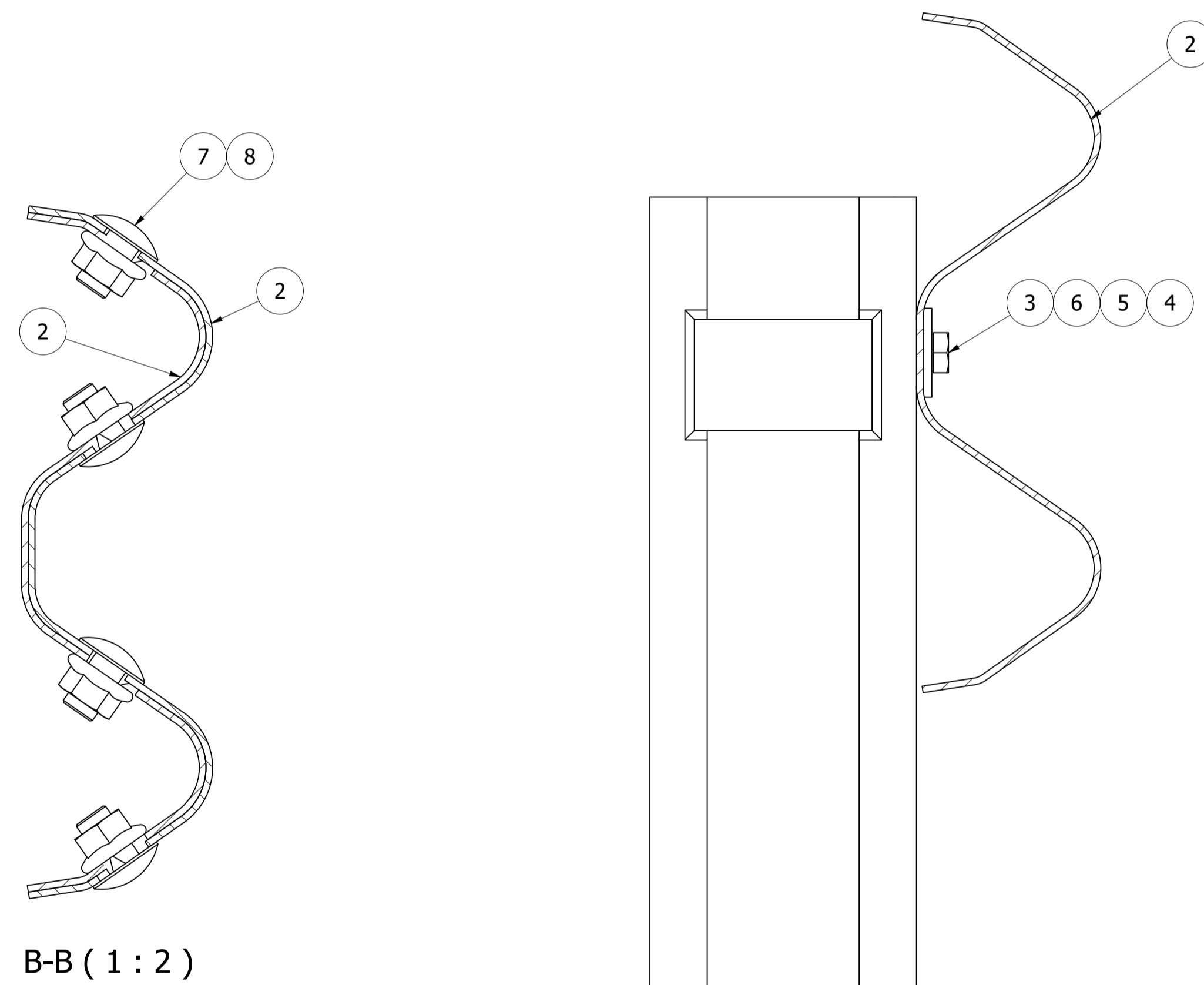
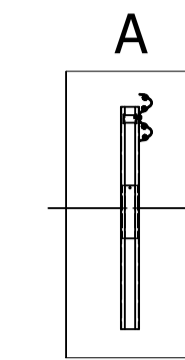
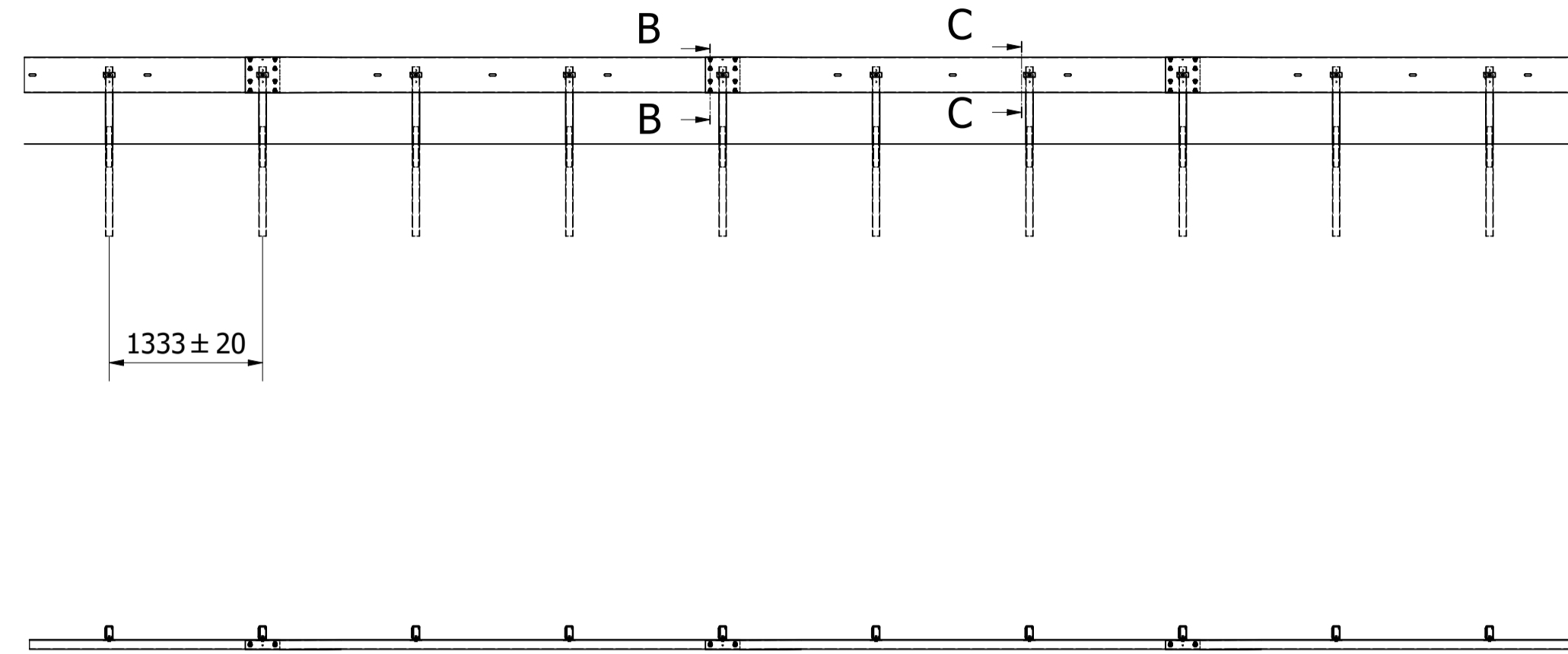
TESTED ACC. TO SS-EN 1317-2 (CONTAINMENT LEVEL L2)

FACTORY PRODUCTION CONTROL ACC. SS-EN 1317-5

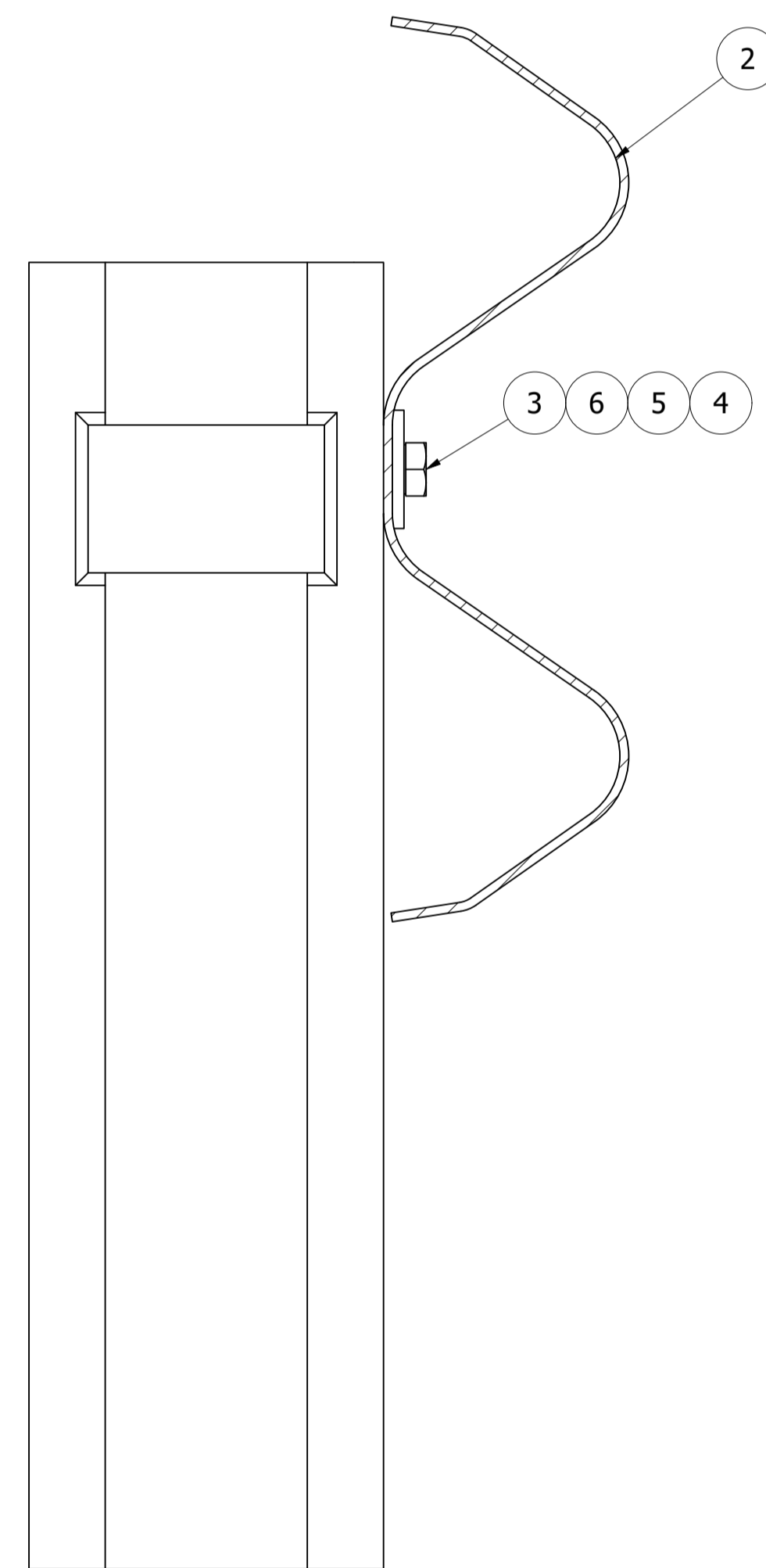
HOT DIP GALVANIZING ACC. TO SS-EN ISO 1461

ITEM 8 (FLANGE NUT) CAN BE REPLACED WITH WASHER AND NUT

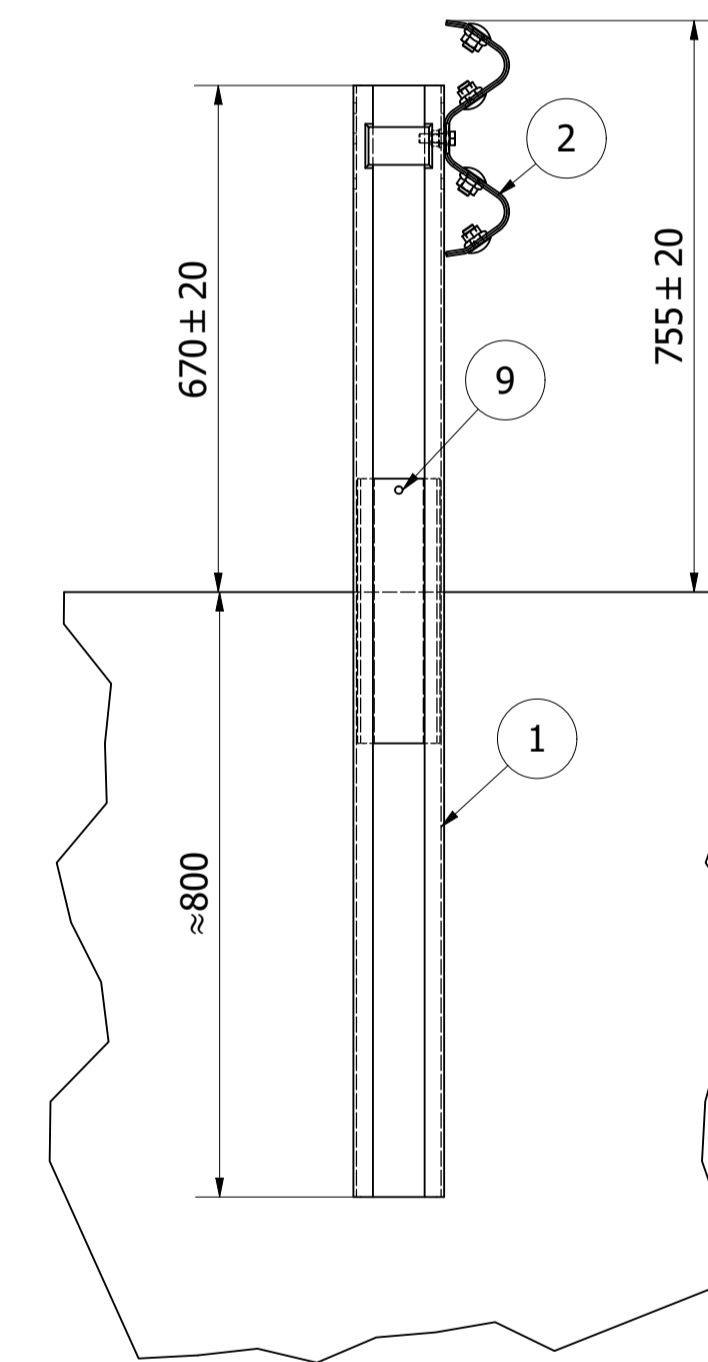
ITEM 4 & 5 (WASHER AND NUT) CAN BE REPLACED WITH FLANGE NUT



B-B (1 : 2)



C-C (1 : 2)



A (1 : 10)

1	Nordic POST	S355	L=1470	8012485N
2	W PROFILE	S355	L=4300	8012443
3	BOLT	8.8	M12x40	121120400
4	NUT	8	M12	120120000
5	WASHER	-	13x24	126130240
6	WASHER100X40	S235	T=5	127141000
7	BOLT	4.6	M16x27	122160270
8	FLANGE NUT	-	M16	120160003
9	POST STIFFER	S235	T=4	8012997
ITEM	DESCRIPTION	MAT.	DIM.	NOTE

Designed by	Checked by	Approved by	Date	Scale	Size
FS		FS	2022-07-04	1:50	A1
			Nordic W L2 Low+		
			Item Number	Edition	Sheet
			30000058 L2 NO	0	1 / 1