

ITEM	DRW N°	REV	CODE	DESCRIPTION	MATERIAL	WEIGHT[kg]	QTY
5	1200	A	C.01200	Modular Safety Device 22M-750 (MSD 22M-750-S)		662,25	1
4			23.00147	WASHER ISO 7089 - 16 - 200 HV	200 HV	0,01	10
3			22.00146	HEX. NUT ISO 4032 - M16 - 8Z - tZn	8	0,04	5
2			21.00145	HH SCREW ISO 4017 - M16x45 - 8.8 - tZn	8.8	0,11	5
1	88		10.00088	CONNECTION TERMINAL FOR 2W BEAM	S275 JR	9,25	1

PARTS LIST			
REV	DESCRIPTION	DATE	APPROVED
B	New wire rope	11/03/2019	STEVANATO

REVISION HISTORY				
DATE	DESCRIPTION	SCALE	FORMAT SHEET	CODE
07/12/2014		1 : 20	A3	C.00083
	PASQUALETTO			
	STEVANATO			

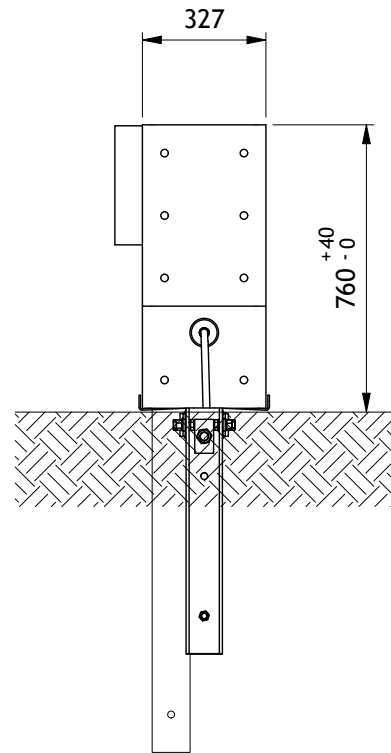
<p>Office B, Teach Dara, Academy Street, Kildare Town, Co Kildare, Ireland www.obexsystems.com</p> <p><b>Obex Systems Limited</b></p>	<p>Terminal P4 on SB2w (MSD 22M-750-SS - 2w)</p>	SHEET N°	1
		DRAWING N°	83

PERFORMANCE	
DESCRIPTION	VALUE
Performance level	P4 ENV 1317-4

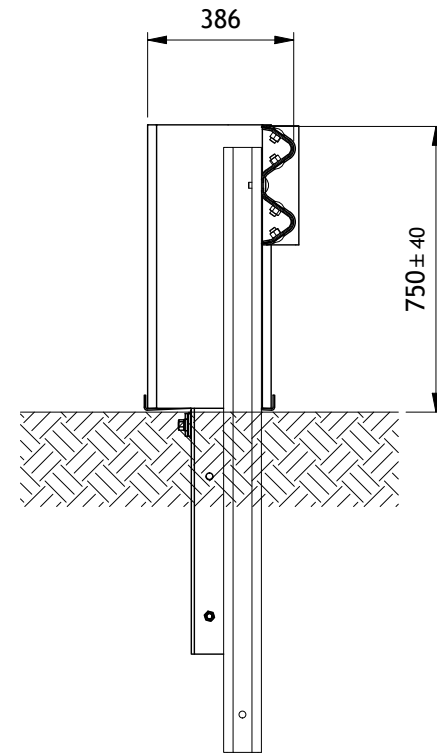
TORQUE	
Fixings	Value
M16x45	70 Nm ±20Nm

- NOTES:
1. Represented configuration is installed on approach of safety barrier. Same configuration can be installed on departure
  2. Terminal can be installed on right and left of traffic direction

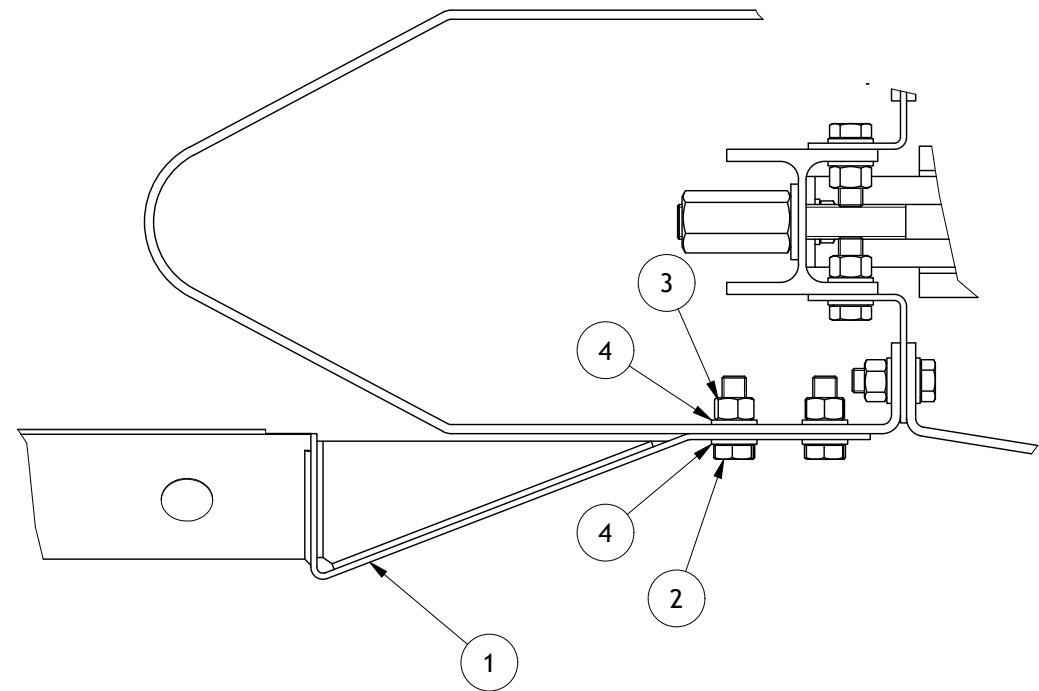
VIEW A ( 1 : 20 )



VIEW B ( 1 : 20 )



C ( 1 : 5 )



ITEM	DRW N°	REV	CODE	DESCRIPTION	MATERIAL	WEIGHT[kg]	QTY
5	1200	A	C.01200	Modular Safety Device 22M-750 (MSD 22M-750-S)		662,25	1
4			23.00147	WASHER ISO 7089 - 16 - 200 HV	200 HV	0,01	10
3			22.00146	HEX. NUT ISO 4032 - M16 - 8Z - tZn	8	0,04	5
2			21.00145	HH SCREW ISO 4017 - M16x45 - 8.8 - tZn	8.8	0,11	5
1	88		10.00088	CONNECTION TERMINAL FOR 2W BEAM	S275 JR	9,25	1

PARTS LIST

DATE	07/12/2014	SCALE	1 : 20	FORMAT SHEET	A3	CODE	C.00083
DRAWN	PASQUALETTO						
APPROVED	STEVANATO						



Office B, Teach Dara,  
Academy Street,  
Kildare Town, Co Kildare,  
Ireland  
www.obexsystems.com

Obex Systems Limited

Terminal P4 on SB2w (MSD 22M-750-SS  
- 2w)

SHEET N°

2

DRAWING N°

83

D\_20190902\_164421.dwg