

ITEM	CODE	DRW N°	REV.	DESCRIPTION	MATERIAL	WEIGHT [kg]	QTY
11	C.01200	1200	A	MODULAR SAFETY DEVICE MSD 22M-750-S		662,25	1
10	24.00118			THREADED BAR M16x200 - 4.6 - TZN	4.6	0,32	5
9	23.00826	826		WASHER Ø17x35 M16 - 100HV	100 HV	0,02	21
8	23.00147			WASHER ISO 7089 - 16 - 200 HV	200 HV	0,01	10
7	22.00146			HEX. NUT ISO 4032 - M16 - 8Z - TZN	8	0,04	36
6	21.00705	705		RH SCREW M16x30 - 8.8 - TZN	8.8	0,08	16
5	21.00145			HH SCREW ISO 4017 - M16x45 - 8.8 - TZN	8.8	0,11	10
4	14.01283	1283		PLATE 115x40MM TH.5,00MM Ø17	S235 JR	0,17	5
3	12.00548	548		2W BEAM TH.2,5MM CC4000MM	S355 JR	40,35	2
2	11.00117	117		PROFILE C100x60x25MM TH.4,00MM L=1600MM	S355 JR	12,12	5
1	10.00088	88		CONNECTION TERMINAL FOR 2W BEAM	S275 JR	9,25	1

				PART LIST		
DATE	SCALE	PAPER SIZE				

DATE	24/08/2022	SCALE	1 : 50	PAPER SIZE	A3	
DRAWN	PASQUALETTO					
APPROVED	STEVANATO					

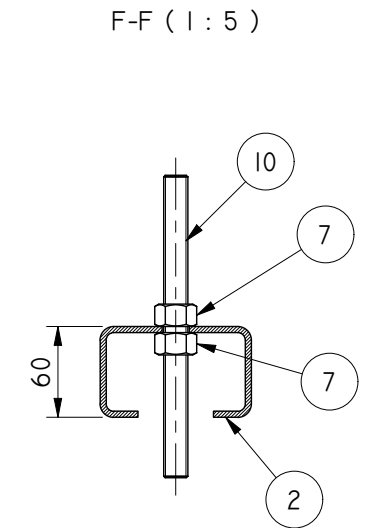
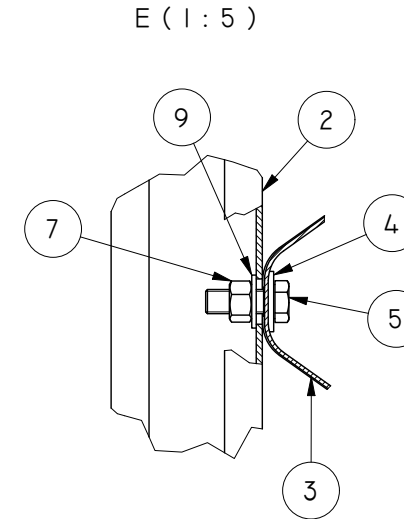
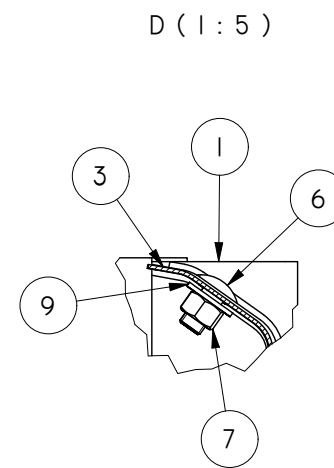
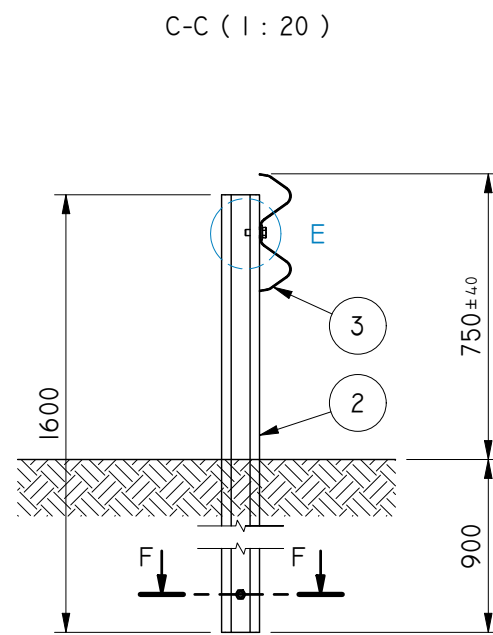
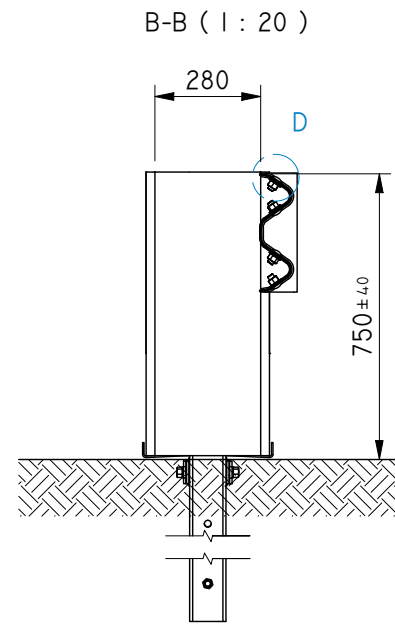
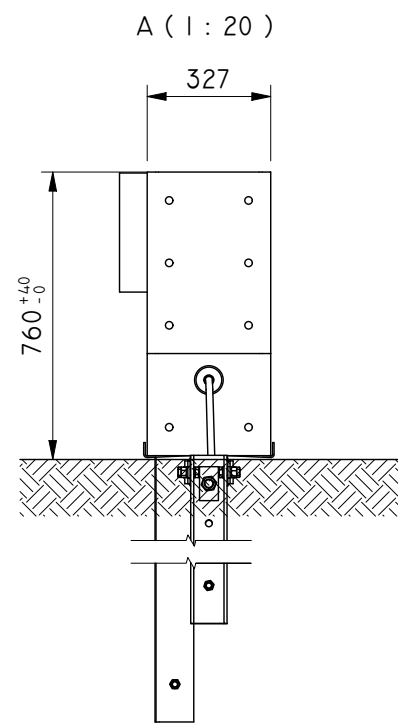
 OFFICE B, TEACH DARA, ACADEMY STREET, KILDARE TOWN, CO. KILDARE, IRELAND WWW.OBEXSYSTEMS.COM	OBEX SYSTEMS LIMITED	TERMINAL T110 on SBN2 (MSD 22M-750-SS - SBN2W2)	SHEET N°	1
		DRAWING N°	2241	

PERFORMANCE	
DESCRIPTION	VALUE
PERFORMANCE LEVEL	T110 PRENI317-7

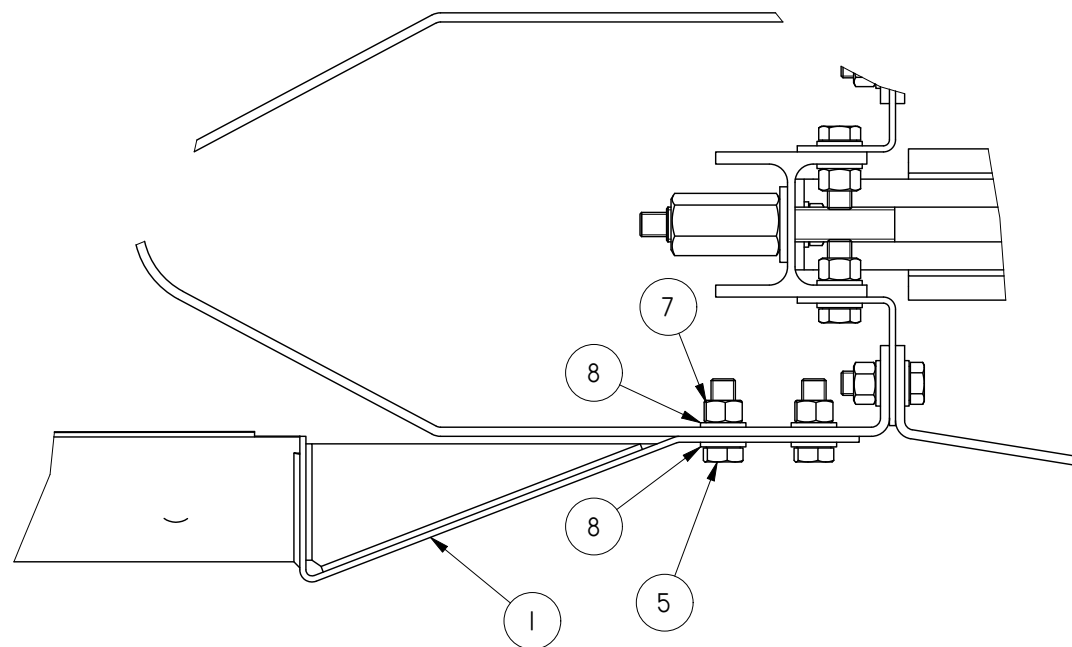
TORQUE	
Fixings	Value
M16x45	70 Nm ±20Nm

NOTES:

1. Represented configuration is installed on approach of safety barrier. Same configuration can be installed on departure
2. Terminal can be installed on right and left of traffic direction



G (1 : 5)



ITEM	CODE	DRW N°	REV.	DESCRIPTION	MATERIAL	WEIGHT [kg]	QTY
11	C.01200	1200	A	MODULAR SAFETY DEVICE MSD 22M-750-S		662,25	1
10	24.00118			THREADED BAR M16x200 - 4.6 - TZN	4.6	0,32	5
9	23.00826	826		WASHER Ø17x35 M16 - 100HV	100 HV	0,02	21
8	23.00147			WASHER ISO 7089 - 16 - 200 HV	200 HV	0,01	10
7	22.00146			HEX. NUT ISO 4032 - M16 - 8Z - TZN	8	0,04	36
6	21.00705	705		RH SCREW M16x30 - 8.8 - TZN	8.8	0,08	16
5	21.00145			HH SCREW ISO 4017 - M16x45 - 8.8 - TZN	8.8	0,11	10
4	14.01283	1283		PLATE 115x40MM TH.5,00MM Ø17	S235 JR	0,17	5
3	12.00548	548		2W BEAM TH.2,5MM CC4000MM	S355 JR	40,35	2
2	11.00117	117		PROFILE C100x60x25MM TH.4,00MM L=1600MM	S355 JR	12,12	5
1	10.00088	88		CONNECTION TERMINAL FOR 2W BEAM	S275 JR	9,25	1

PART LIST

DATE	24/08/2022	SCALE	1 : 20	PAPER SIZE	A3		SHEET N°	2
DRAWN	PASQUALETTO						DRAWING N°	2241
APPROVED	STEVANATO							
		OFFICE B, TEACH DARA, ACADEMY STREET, KILDARE TOWN, CO. KILDARE, IRELAND WWW.OBEXSYSTEMS.COM		TERMINAL T110 on SBN2 (MSD 22M-750-SS - SBN2W2)			OBEX SYSTEMS LIMITED	

D_20220824_I52545.DWG

SYSTEM AND COMPONENTS ARE COVERED BY DESIGN REGISTRATION AND PATENT APPLICATIONS