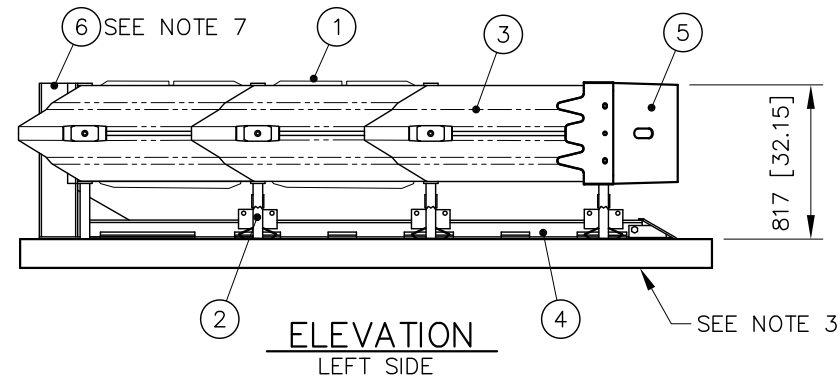


TRAFFIC

TRAFFIC



NOTES:

1. IN COMPLIANCE WITH THE AASHTO 2002 ROADSIDE DESIGN GUIDE, MANUFACTURER RECOMMENDS REMOVAL OF ALL CURBS AND ISLANDS TO ENSURE PROPER IMPACT PERFORMANCE.
2. PROVISION SHALL BE MADE FOR REAR FENDER PANELS TO SLIDE REARWARD UPON IMPACT 762 [30.00] MIN.
3. FOR FURTHER ASSISTANCE RELATING TO ANCHORAGE OF THE QUADGUARD CEN, PLEASE CONTACT CUSTOMER SERVICE AT (312) 467-6750.
4. SEE THE "QUADGUARD CEN SYSTEM PRODUCT MANUAL", FOR A DESCRIPTION OF ITS IMPACT PERFORMANCE CHARACTERISTICS AND DESIGN LIMITATIONS BEFORE PLACING A SYSTEM AT A GIVEN SITE. INFORMATION AND COPIES OF ABOVE MANUAL ARE AVAILABLE BY CALLING CUSTOMER SERVICE DEPARTMENT AT (312) 467-6750.
5. WHERE NECESSARY, THE CUSTOMER SHALL SUPPLY A TRANSITION FROM THE QUADGUARD SYSTEM TO THE OBJECT BEING SHIELDED.
6. UNITS OF MEASUREMENT ARE MILLIMETERS [INCHES], UNLESS OTHERWISE NOTED.
7. BACKUP AND NOSE ASSEMBLIES NOT INCLUDED IN MODEL NUMBER, ORDER SEPARATELY.

TABLE

	MODEL NO.	OVERALL WIDTH	SYSTEM WIDTH
3 BAY	QI2403*	810 [32.00]	610 [24.00]
	QI3003*	965 [38.00]	760 [30.00]
	QI3603*	1120 [44.00]	915 [36.00]


* Y = YELLOW NOSE,
G = GRAY OR GALVANIZED NOSE,
B = BLACK NOSE

UNIDIRECTIONAL
MODEL NO. SEE TABLE

KEY	① QUADGUARD CARTRIDGE	④ MONORAIL	⑦ BUMPER
	② DIAPHRAGM	⑤ NOSE ASSY	
	③ FENDER PANEL	⑥ BACKUP	

REFERENCES	
SERIAL#	DIAPHRAGM ASSY. 3540571-3CEN
SALES ORDER#	FENDER PANEL ASSY. 3540041-0000
	BUMPER ASSY. 3540564-3CEN
EH PROJECT#	BACKUP ASSY. 604573
DESIGN SPEED	MONORAIL ASSY. 3540060-0CEN
	BELT NOSE ASSY. 3540550-0000
NOSE COLOR	STEEL NOSE ASSY. 617391
NUMBER OF UNITS	

DRAWN:	KRM	DATE:	1-30-04
DESIGNED:		DATE:	
CHECKED:	K. LOONEY	DATE:	1-30-04
APPROVED:	S. TURNER	DATE:	2-3-04
CAD FILE:	QCTSCVR3-U.dwg		



ENERGY ABSORPTION SYSTEMS
ENGINEERING AND RESEARCH DEPARTMENT

QUADGUARD® CEN SYSTEM
3 BAY SYSTEM W/TENSION STRUT BACKUP

SCALE	1: 40	DWG.	QCTSCVR3-U	SHEET	1 OF 1	REV	F
-------	-------	------	------------	-------	--------	-----	---

Revisions	Date	Rev.	By	Ckd.	App.
UPDATED DIMS SYSTEM LENGTH, EFFECTIVE LENGTH & WIDTH	11/17/08	D	WWL	STT	PLK
REVISED ANCHORING NOTES AND UPDATED DRAWING, ECO 2528	12/17/08	E	RJV	STT	PLK
ADD STEEL NOSE TO REF, ADD NOSE TO NOTE 7, ADD GALV NOSE, ECO 2869	3/5/10	F	DPH	JME	FJP