

REBLOC RB100A_8

Standard element

Area of application
Bridge system

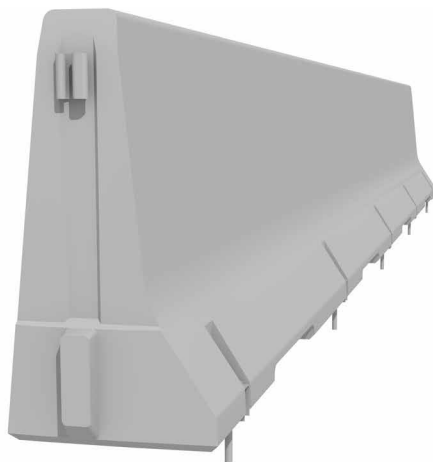
Construction
Anchored



Containment level **H2** (covers H1, N1, T3, T2 and T1)
Working width **W1** (covers W2, W3, W4, W5, W6, W7 and W8)
Impact severity level **ASI B**

Product features & Advantages

- Anchoring depth only 12 cm to avoid protrusion of bridge sealing
- No system movement with slim construction
- Application on outermost edge of bridge possible



The anchored system with minimum working width is ideal for the application on the edge of bridges, for the protection of bridge piers as well as along the verge of roads.

The reliable restraint function is achieved by the tension bar in combination with five anchor points per element. The integrated coupling system connects the individual elements to form a continuous and strong chain, which safely dissipates the energy caused by vehicle impact.

Special dilatation elements for bridge expansion joints are available and take up movements caused by temperature fluctuations.

¹⁾ Based on evaluation of a modification in accordance to EN 1317

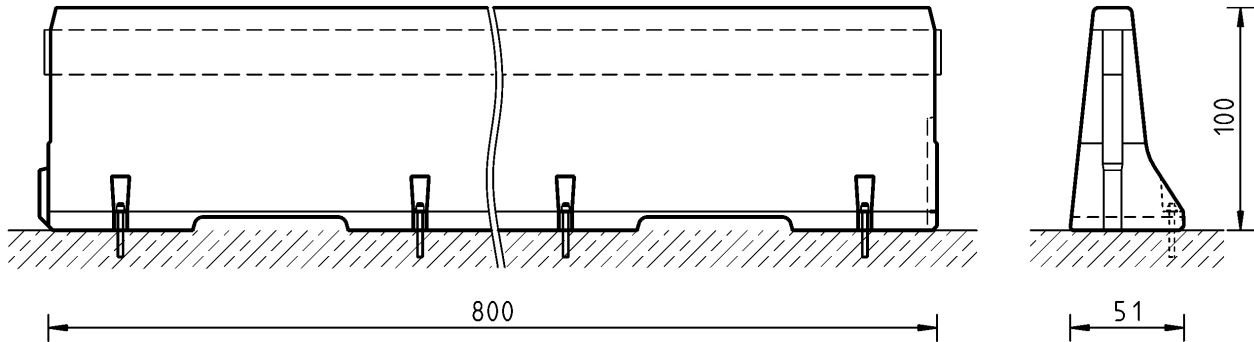
REBLOC RB100A_8

Standard element



tested according to EN1317-1/2¹⁾

Technical data



all dimensions in cm

Containment level	H2
Working width	W1
Impact severity level	ASI B
Construction	anchored (5 x M20 adhesive anchor in concrete per element)
Terminal element	not necessary, optional possible
Dimensions L x W x H in cm	800 x 51 x 100 cm
Weight/element	5.600 kg
Pcs./truck (24 t)	4 pieces
Minimum installation length	56 m
Curve radius	$r \geq 108$ m, smaller radii on request
Concrete quality	C35/45, exposure class according to national requirements
Coupling/exposed steel parts	fully integrated, exposed parts hot-dip galvanized
CE certification	✓

¹⁾ Based on evaluation of a modification in accordance to EN 1317