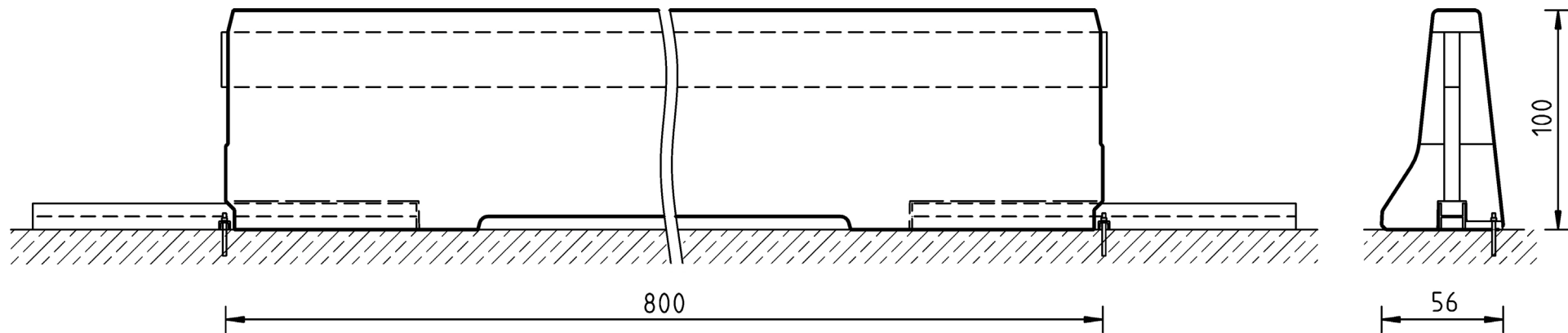


REBLOC[®] RB100SF_8_H4b/W4

Standard element



all dimensions in cm

Element	RB100SF_8
Performance class (EN1317)	H4b/W4/B
Dimensions L x W x H in cm	800 x 56 x 100 cm
Weight/element	6.000 kg
Drawing no.	6.0040
Date	2017-08-01

The element is connected by the integrated coupling, located at the face of the element.

REBLOC GmbH

Wiener Straße 662 · 3571 Gars/Kamp · Austria
Tel.: +43 (0) 2985 30528 2900
Fax: +43 (0) 2985 30528 2901
office@rebloc.com