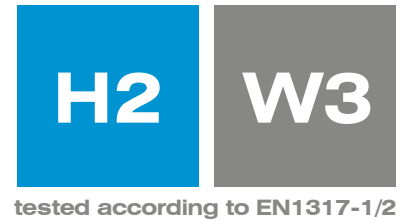


REBLOC RB80AS_8

Standard element

Area of application
Permanent System

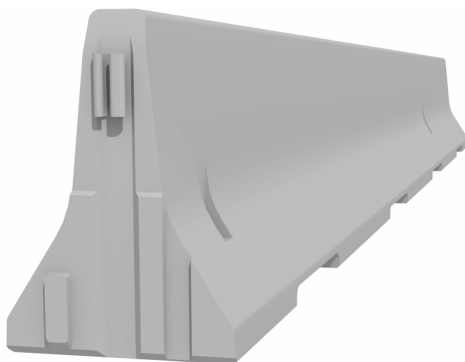
Construction
Anchored soil



Containment level **H2** (covers H1, N1, T3, T2 and T1)
Working width **W3** (covers W4, W5, W6, W7 and W8)
Impact severity level **ASI B**

Product features & Advantages

- Cost-efficient system due to installation on compacted soil
- Easy and quick piling of anchor pins
- Single-row installation for limited space



This barrier can be used as a single-row or double-row system for the central reservation as well as for protection along the verge.

The installation is carried out on compacted soil and no additional foundation is necessary. The high safety level is ensured by the anchor pins responsible for a low system movement.

The system can also be used without the anchor pins as a free standing, temporary safety barrier (temp2perm).

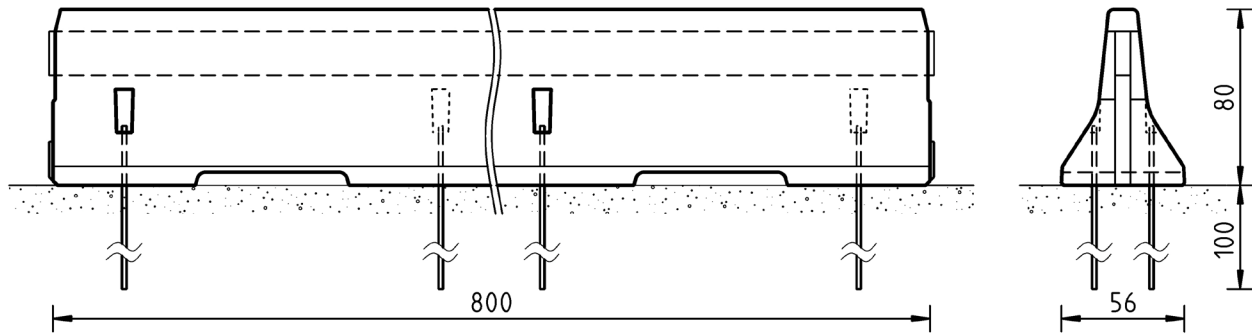
REBLOC RB80AS_8

Standard element



tested according to EN1317-1/2

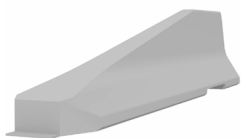
Technical data



all dimensions in cm

Containment level	H2
Working width	W3
Impact severity level	ASI B
Construction	anchored soil (4 x anchor pin in compacted soil per element)
Terminal element	RB80H_4T (2 x anchor pin in compacted soil per element)
Dimensions L x W x H in cm	800 x 56 x 80 cm
Weight/element	4.000 kg
Pcs./truck (24 t)	6 pieces
Minimum installation length	64 m (without terminal elements)
Curve radius	$r \geq 225$ m, smaller radii on request
Concrete quality	C30/37, exposure class according to national requirements
Coupling/exposed steel parts	fully integrated, exposed parts hot-dip galvanized
CE certification	✓

System element - combinable



Terminal element RB80H_4T