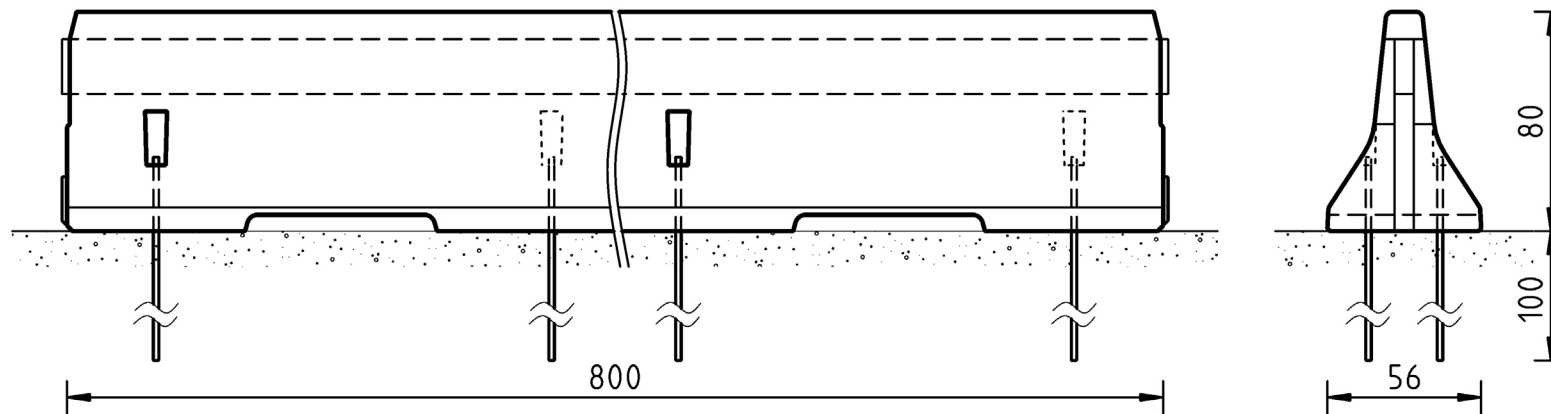


## REBLOC<sup>®</sup> RB80AS\_8\_H2/W3

Standard element



all dimensions in cm

<b>Element</b>	RB80AS_8
<b>Performance class (EN1317)</b>	H2/W3/B
<b>Dimensions L x W x H in cm</b>	800 x 56 x 80 cm
<b>Weight/element</b>	4.000 kg
<b>Drawing no.</b>	6.0035
<b>Date</b>	2017-08-01

The element is connected by the integrated coupling, located at the face of the element.

### REBLOC GmbH

Wiener Straße 662 · 3571 Gars/Kamp · Austria  
Tel.: +43 (0) 2985 30528 2900  
Fax: +43 (0) 2985 30528 2901  
office@rebloc.com