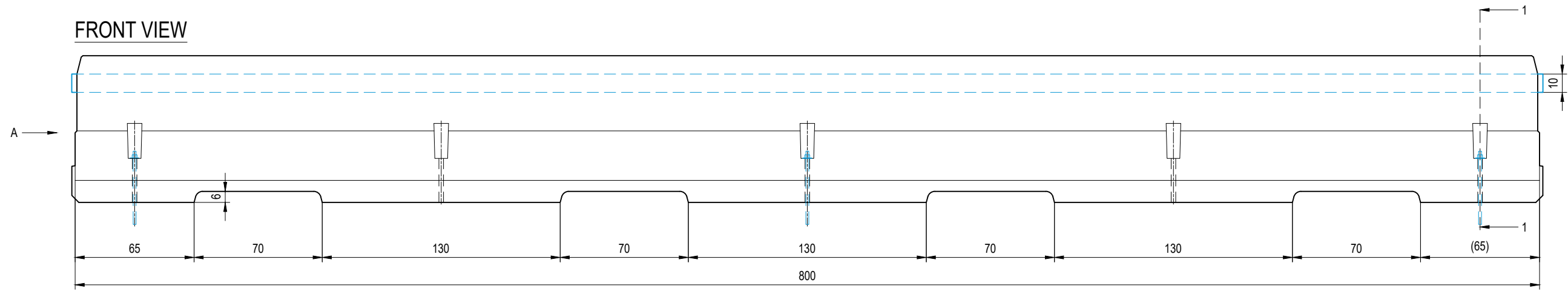
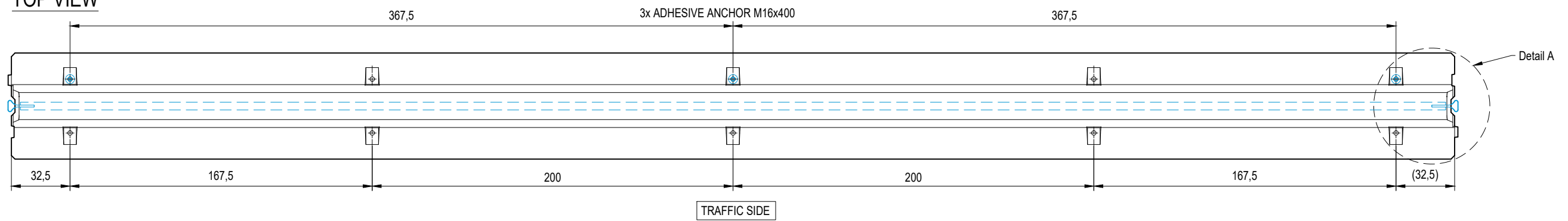


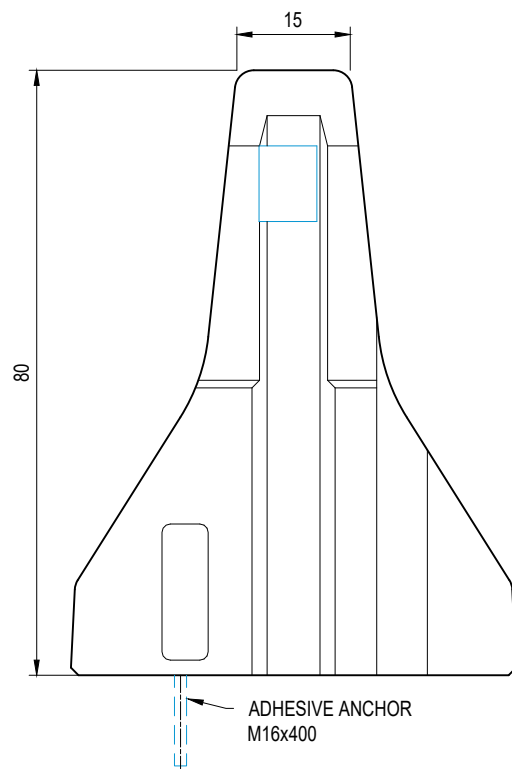
**FRONT VIEW**



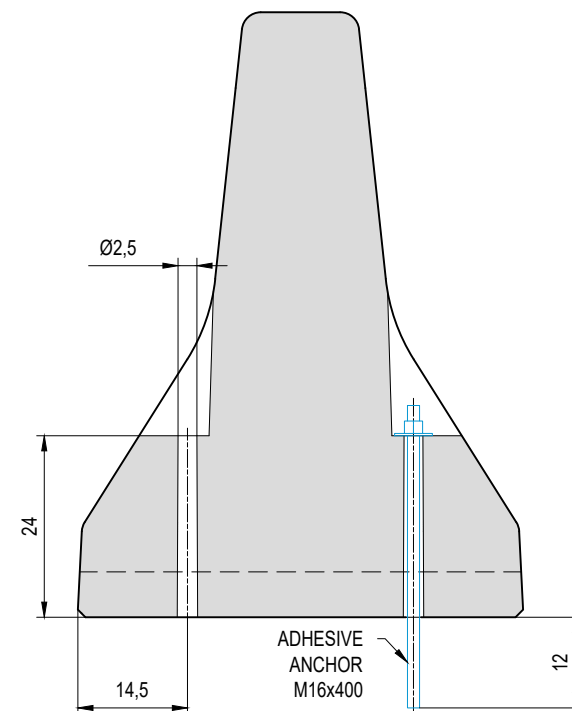
**TOP VIEW**



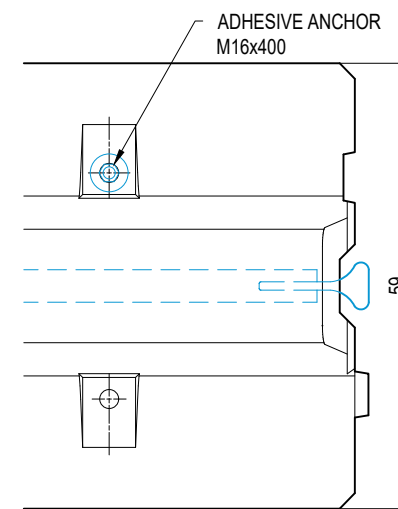
**VIEW A**



**SECTION 1-1**



**DETAIL A**



Index	Date	Amendment	by
A	2021-04-12	LAYOUT	PCA
B	2021-04-21	Completely revised	LOC

**REBLOC 80XA\_8\_3A**

DESIGN DRAWING

Concrete	C30/37
Dimension (LxBxH)	800 x 59 x 80 cm
Weight (approx.)	4800 kg
Designer	PCA
Date	2020-08-13
Project	-
Sheet size	A3
Scale	1 : 25 (1 : 10)
Unit	cm
Drawing-No.	DD180
Index	B

This technical drawing is the intellectual knowledge and property of REBLOC GmbH and is legally protected. All use, publication, duplication, changes or distribution to a third party is unlawful.

REBLOC GmbH, 3571 Gars am Kamp, Austria www.rebloc.com

