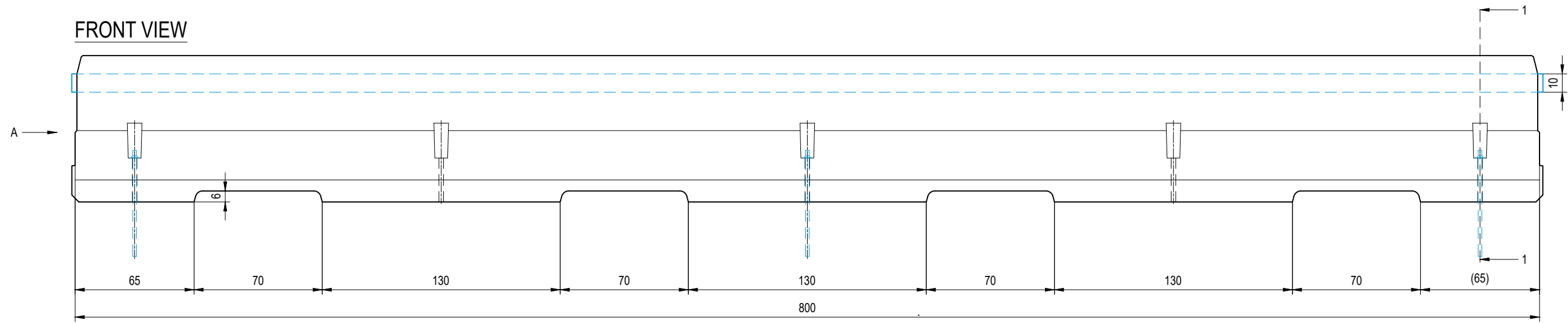
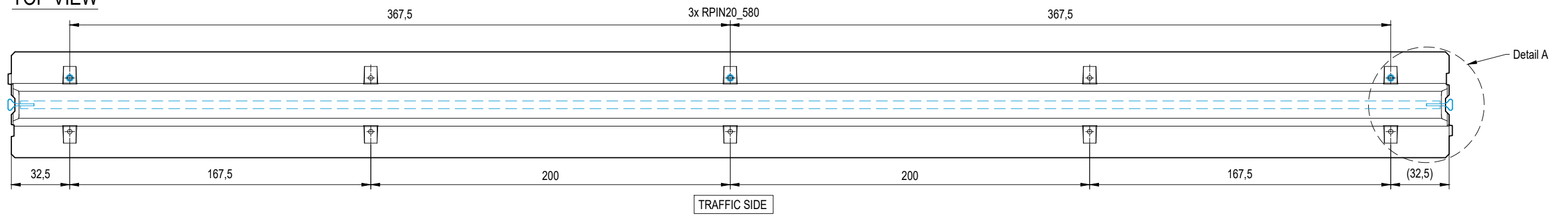


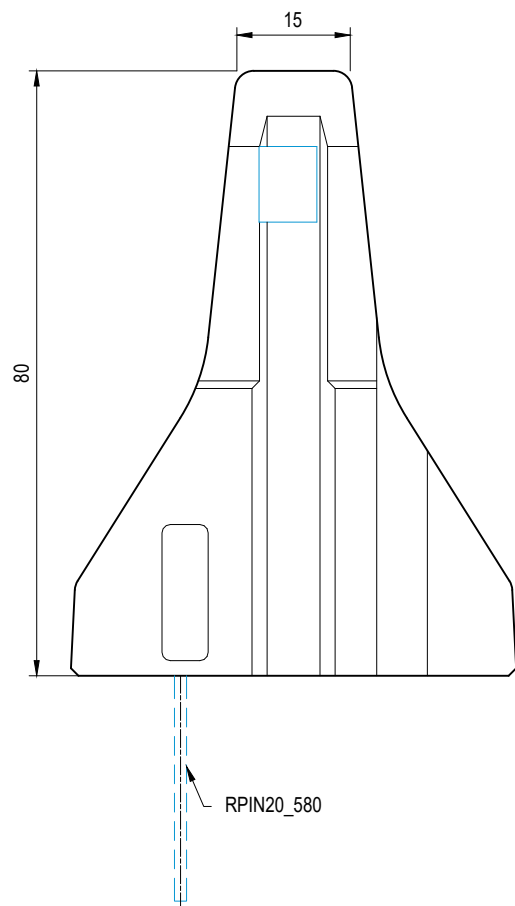
FRONT VIEW



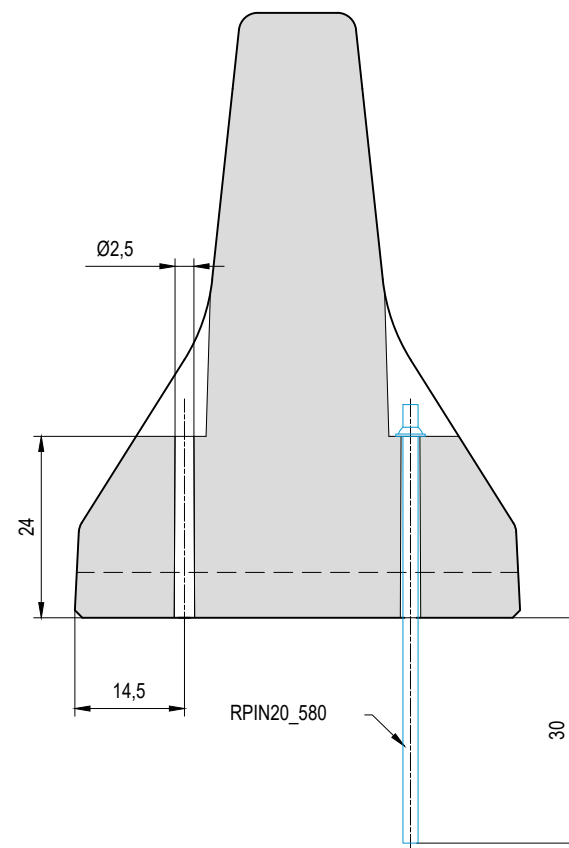
TOP VIEW



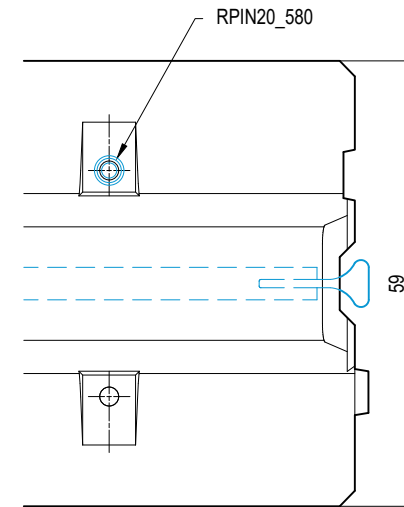
VIEW A



SECTION 1-1



DETAIL A



| Index | Date | Amendment | by |
|-------|------------|--------------------|-----|
| A | 2021-04-13 | LAYOUT | PCA |
| B | 2021-05-17 | Completely revised | LOC |

REBLOC 80XA_8_3P
DESIGN DRAWING

| | |
|-------------------|------------------|
| Concrete | C30/37 |
| Dimension (LxBxH) | 800 x 59 x 80 cm |
| Weight (approx.) | 4800 kg |
| Designer | PCA |
| Date | 2020-05-29 |
| Project | - |
| Sheet size | A3 |
| Scale | 1 : 25 (1 : 10) |
| Unit | cm |
| Drawing-No. | DD181 |
| Index | B |

This technical drawing is the intellectual knowledge and property of REBLOC GmbH and is legally protected. All use, publication, duplication, changes or distribution to a third party is unlawful.

REBLOC GmbH, 3571 Gars am Kamp, Austria www.rebloc.com

