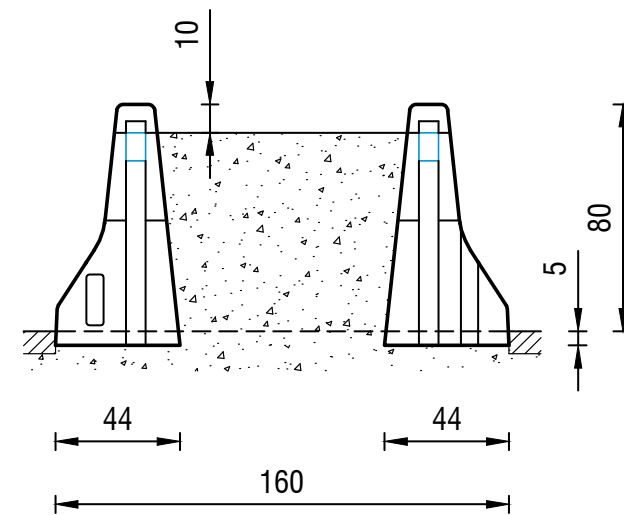
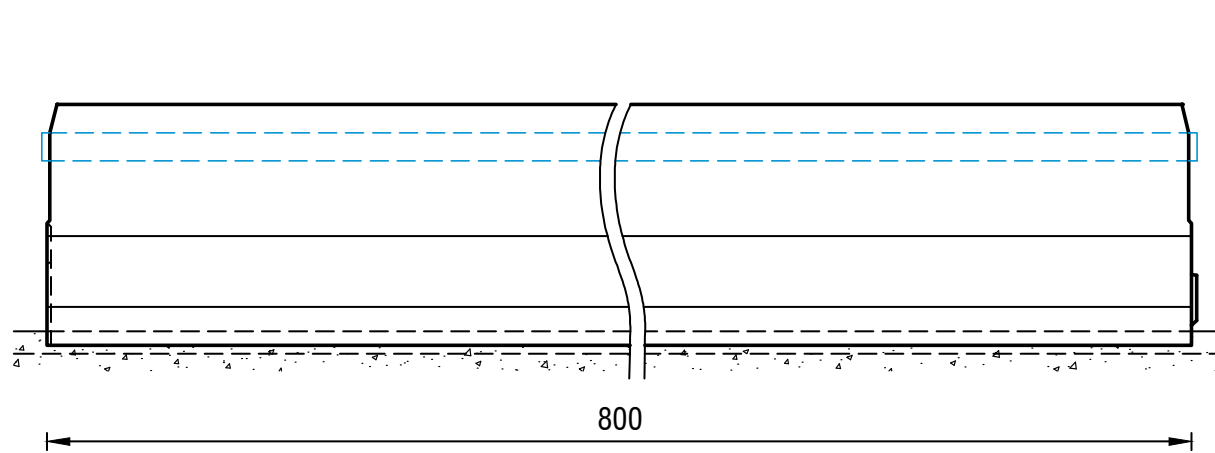


REBLOC 85BF_8_H2/W5

Standard element



all dimensions in cm

Element	REBLOC 85BF_8
Performance class (EN1317)	H2/W5/B
Dimensions L x W x H in cm	800 x 44 x 85 cm
Weight/element	4000 kg
Drawing no.	6.0053
Date	2019-07-04

The element is connected by the integrated coupling, located at the face of the element.

REBLOC GmbH

Wiener Straße 662 · 3571 Gars/Kamp · Austria
 Tel.: +43 (0) 2985 30528 2900
 Fax: +43 (0) 2985 30528 2901
 office@rebloc.com