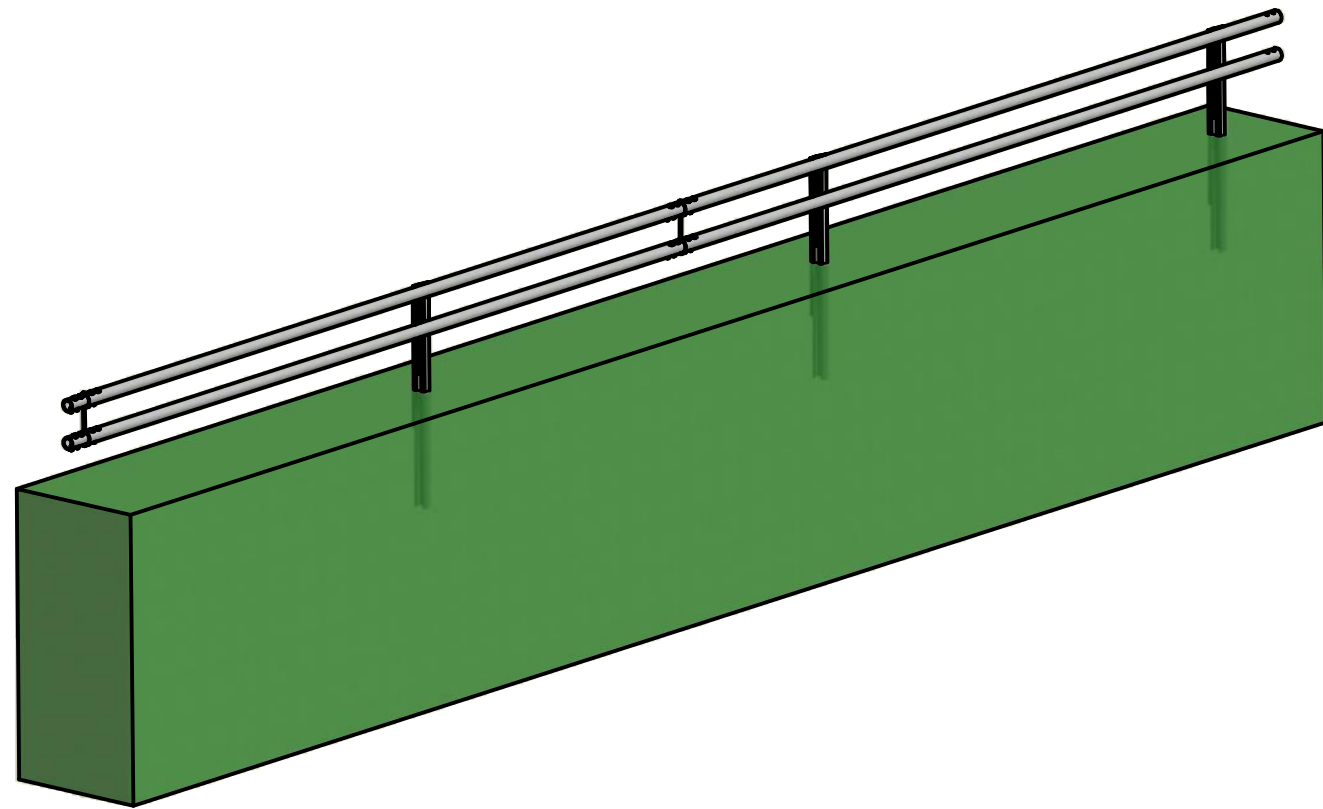
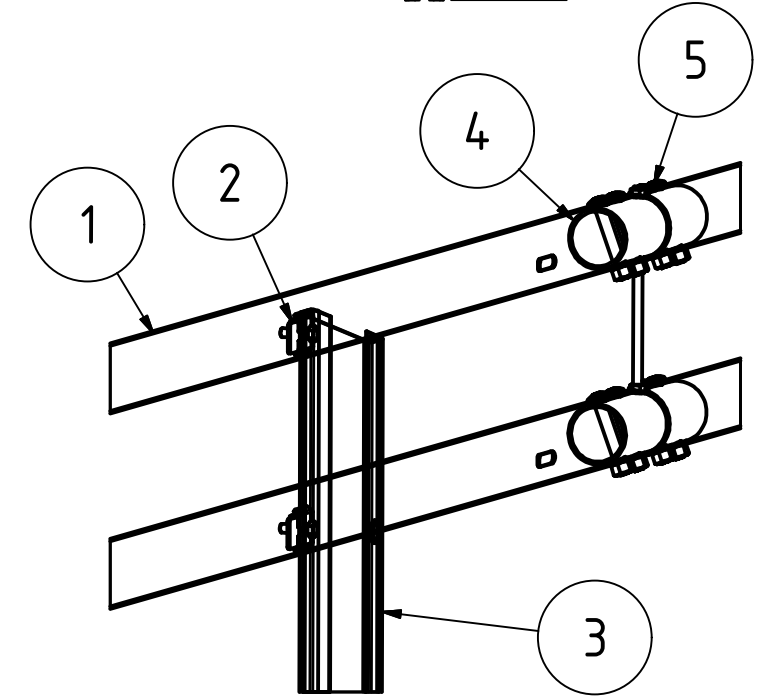
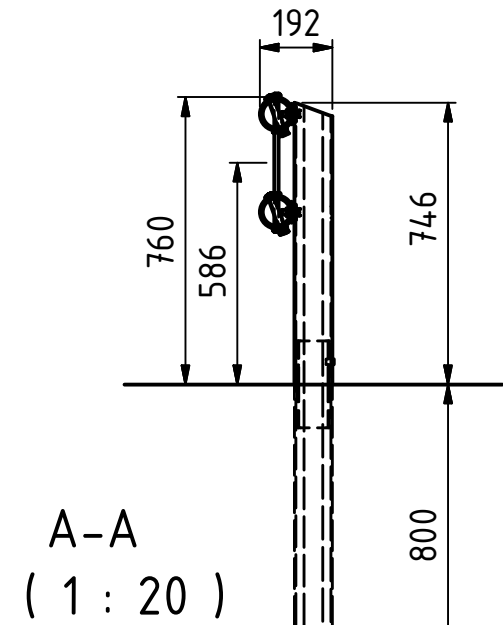
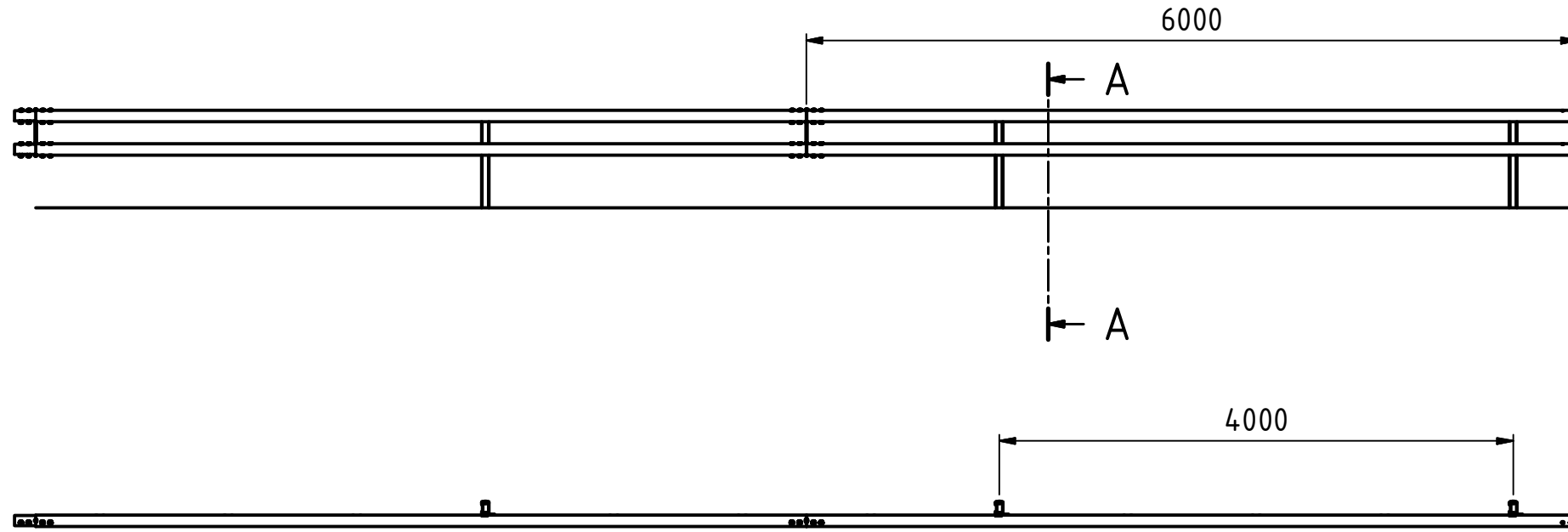



5135301



5	8 / 6m	JOINT BOLT with NUT	0,2 kg	112216105001
4	1 / 6m	JOINT TUBE KIT N2/H1	5,2 kg	67519
3	1.5 / 6m	POST KIT	12,7 kg	60500
2	3 / 6m	LOCK KIT M12 4.6 BOLT	0,2 kg	60590
1	2 / 6m	RAILING	36,7 kg	60510

Item No.	Qty.	Description	MASS	Note
----------	------	-------------	------	------

Date	2019-04-27	Constr./Drawn by	MHT	Scale	A3 - 1 : 50	Sheet #	1 / 1	 a SAFEROAD® company
Calculation		Approved by	JHS			Weight	16,7 kg/m	
Safeline-R Roadside Barrier								5135301 Revison
Safeline-R N2/H1 CC4								
Reference:				Replacing	Replaced by	This drawing is the property of Saferoad and must not be used, copied, or made available to others without our consent.		

Rev.	Revision Description	Sign.	Date

5135301.idw

© VIK ØRSTA A SAFEROAD COMPANY