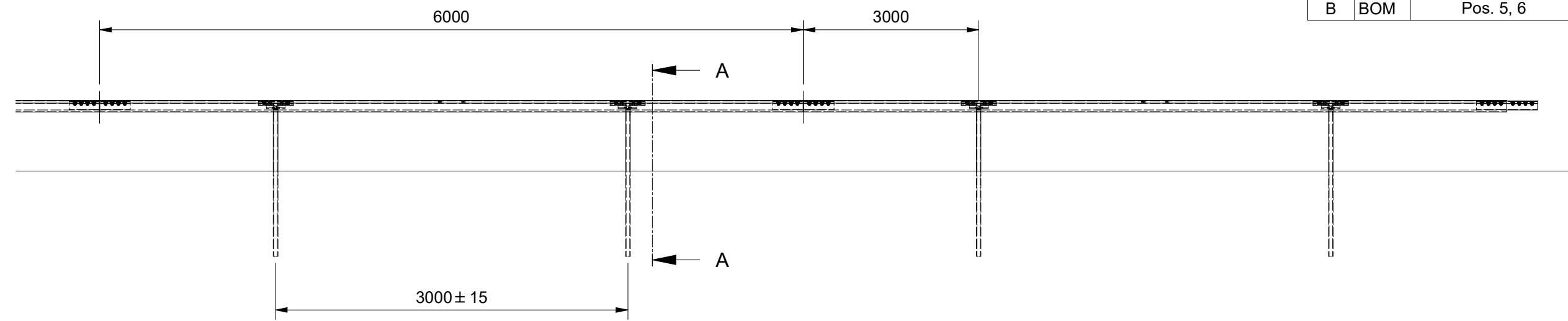


Rev.	Zone	Revision description	Sign.	Date
A	BOM	Added art. 61780	GK	06.05.2019
B	BOM	Pos. 5, 6	GK	14.05.2019

A

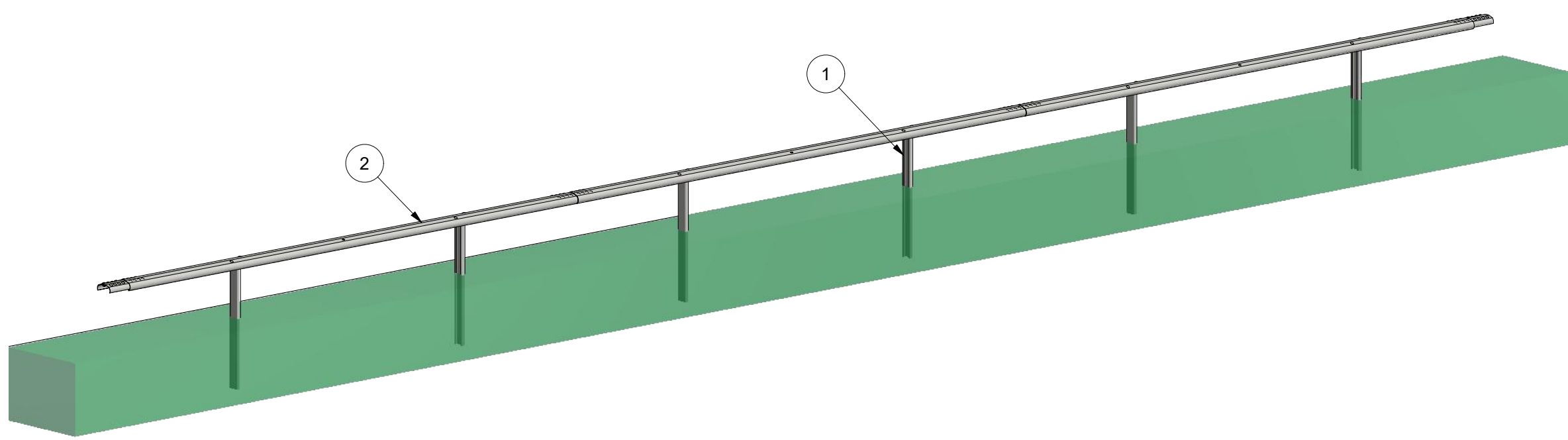
Side view:



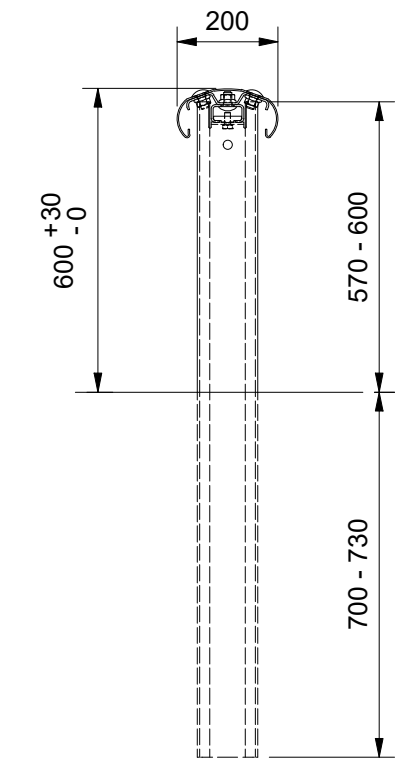
Top view:



B



A-A
Cross section



C

9	1/3 m	61768	Joint plate	4,5 kg	assembled art. 61741
8	1/3 m	61786	Top plate	2 kg	assembled art. 61741 (61780)
7	1/3 m	933312025	Bolt M12x25 DIN933 4.6 HDG	0 kg	
6	24/6 m	692316000	Flange nut M16 DIN 6923 8 Isofit HDG	0,1 kg	assembled art. 61741 (61780)
5	24 /6 m	61769	Bolt M16x30 with rounded head 8.8 HDG	0,1 kg	assembled art. 61741 (61780)
4	1/3 m	61787	Mini C 65	0,7 kg	assembled art. 61741 (61780)
3	1/3 m	61788	T-washer	0,2 kg	
2	1/3 m	61750	Oval open profile 200x100x3 L=5995 cc3/6	52,6 kg	assembled art. 61741
1	1/3 m	61700	C-post 120 L=1300	11 kg	
Pos.	Qty.	Art. nr.	Material type	Mass	Remarks

For assembly details see system assembly drawing 5135700M.
Mass 15 kg/m

Date	27.04.2019	Constr./Drawn by	gk	Scale	A3 - 1 : 100
Calculation		Approved by			

Sheet no
1 / 1

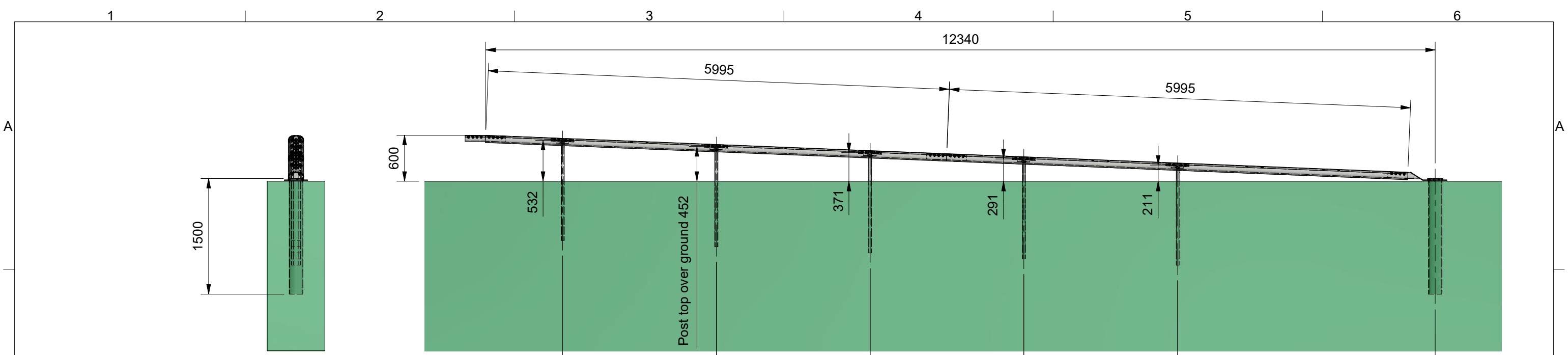


Safeline-M Median Barrier
Posts spacing c/c 3m
System drawing

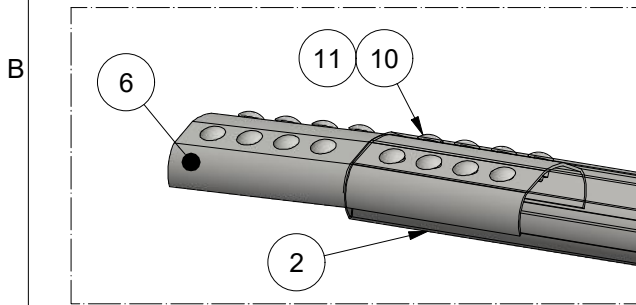
5135705 Revision **B**

Reference: Replacement for 5 Replaced by This drawing is our property and must not be used, copied, or made available to others without our consent.

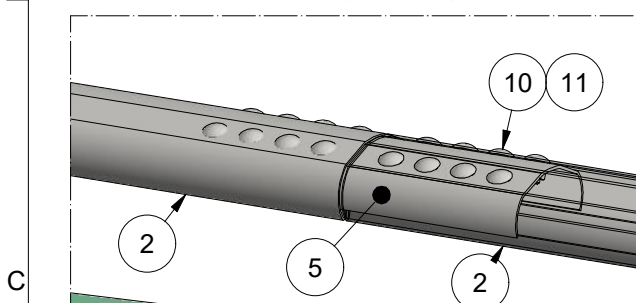
D



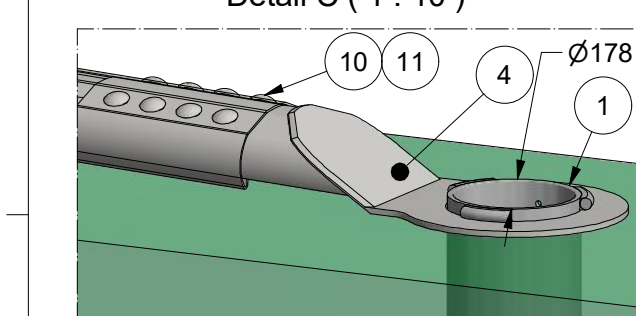
Detail A (1 : 10)



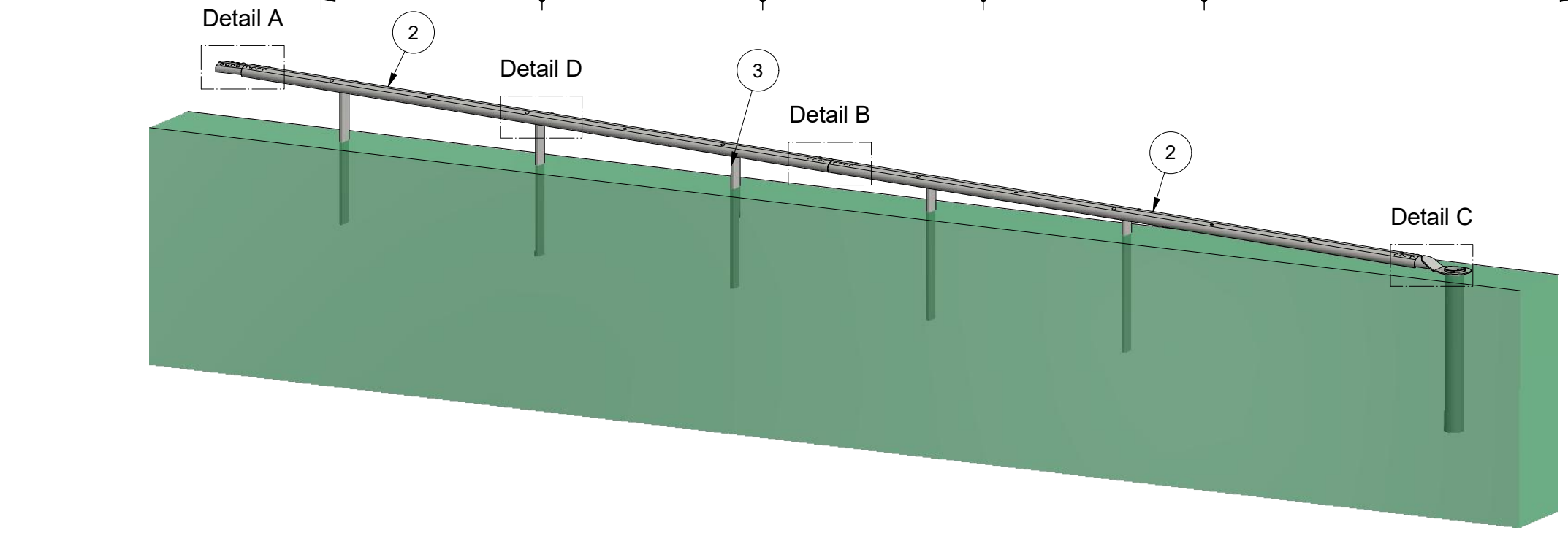
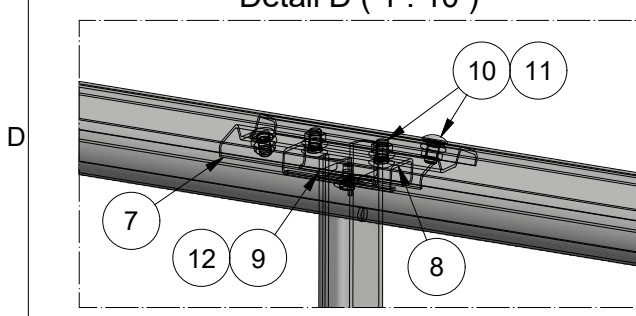
Detail B (1 : 10)



Detail C (1 : 10)



Detail D (1 : 10)



Pos	Qty.	Art. nr.	Material type	Mass	Remarks
12	5	933312025	Bolt M12x25 4.6 HDG	0 kg	
11	60	692316000	Flange nut DIN 6923 M16 8 Isofit HDG	0,1 kg	(4 per kit 61780)
10	60	61769	Bolt M16x30 with rounded head, 8.8 HDG	0,1 kg	(4 per kit 61780)
9	5	61788	T-washer	0,2 kg	
8	5	61787	Mini C 65	0,7 kg	Kit 61780
7	5	61786	Top plate	2 kg	Kit 61780
6	1	61790	Joint plate for download 12m	4,5 kg	
5	1	61768	Joint plate	4,5 kg	
4	1	61793	Beaver tail short spike fixing	8,1 kg	
3	5	61700	C-post 120 L=1300	11 kg	
2	2	61792	Oval open profile 200x100x3 L=5995 cc1	52,6 kg	
1	1	8920515	Spike L=1500	50,6 kg	

Assembly details: see drawing 5135700M.

Total mass: 253 kg

Rev.	Zone	Revision description	Sign.	Date
A	D1+BOM	Detail D, Kit 61780 in BOM	GK	07.05.2019
B	BOM + table	Pos. 10, 11 + logo	GK	14.05.2019

Date	27.04.2019	Constr./Drawn by	gk	Scale	A3 - 1 : 100
Calculation		Approved by			

Safeline-M Median Barrier		Sheet no 1/1	 a SAFEROAD® company
Download 12m with spike 1.5 m			

Reference:	Replacement for	Replaced by	This drawing is our property and must not be used, copied, or made available to others without our consent.
------------	-----------------	-------------	---