

# M-GUIDE

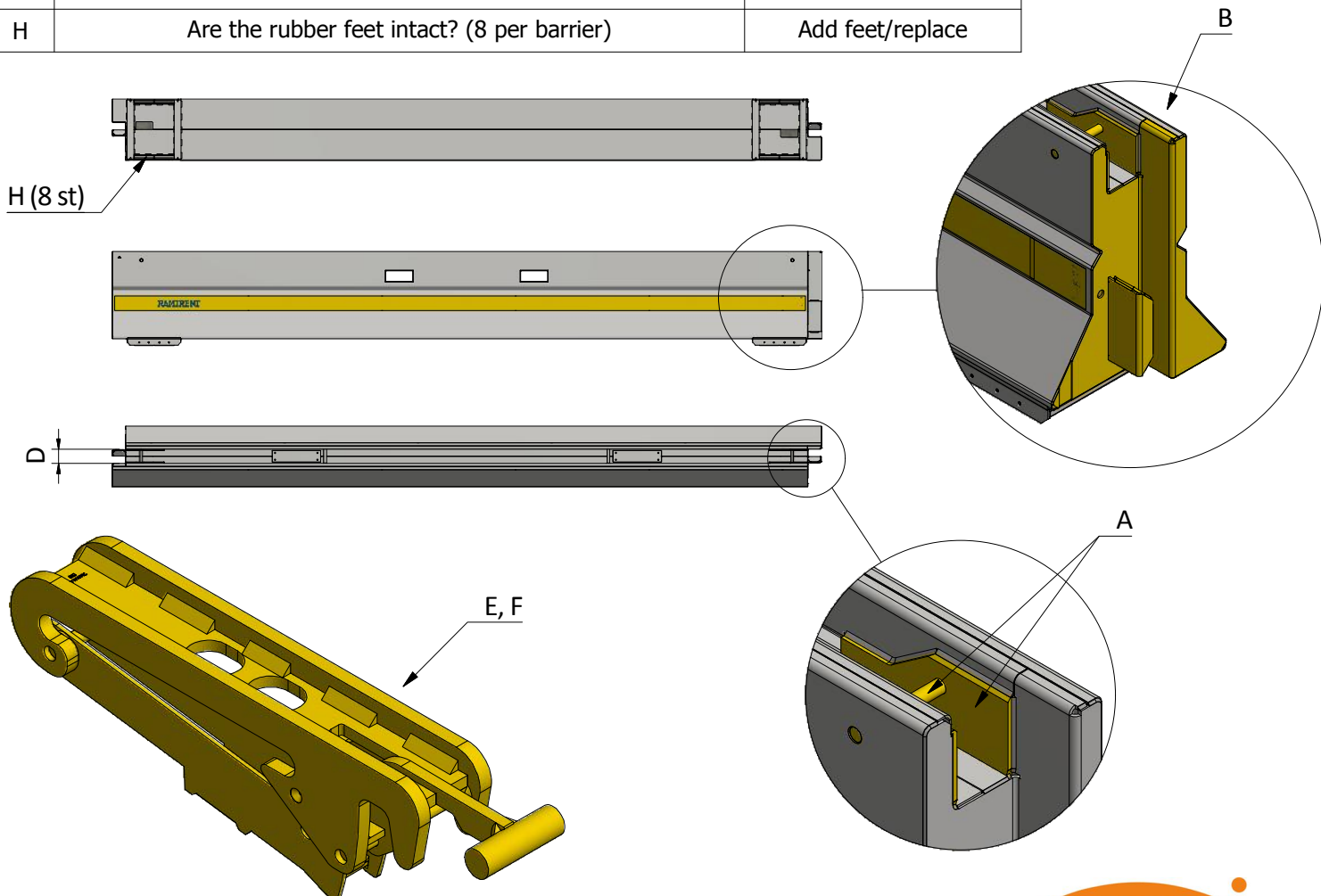
## SAFEPASS ROAD BARRIER 5,16 m



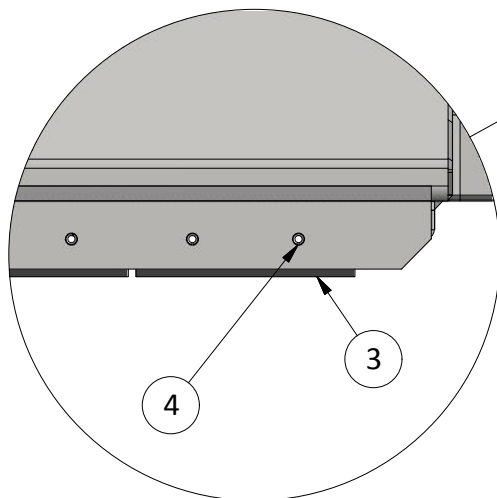
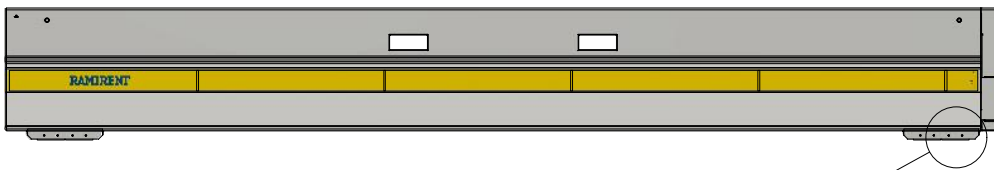
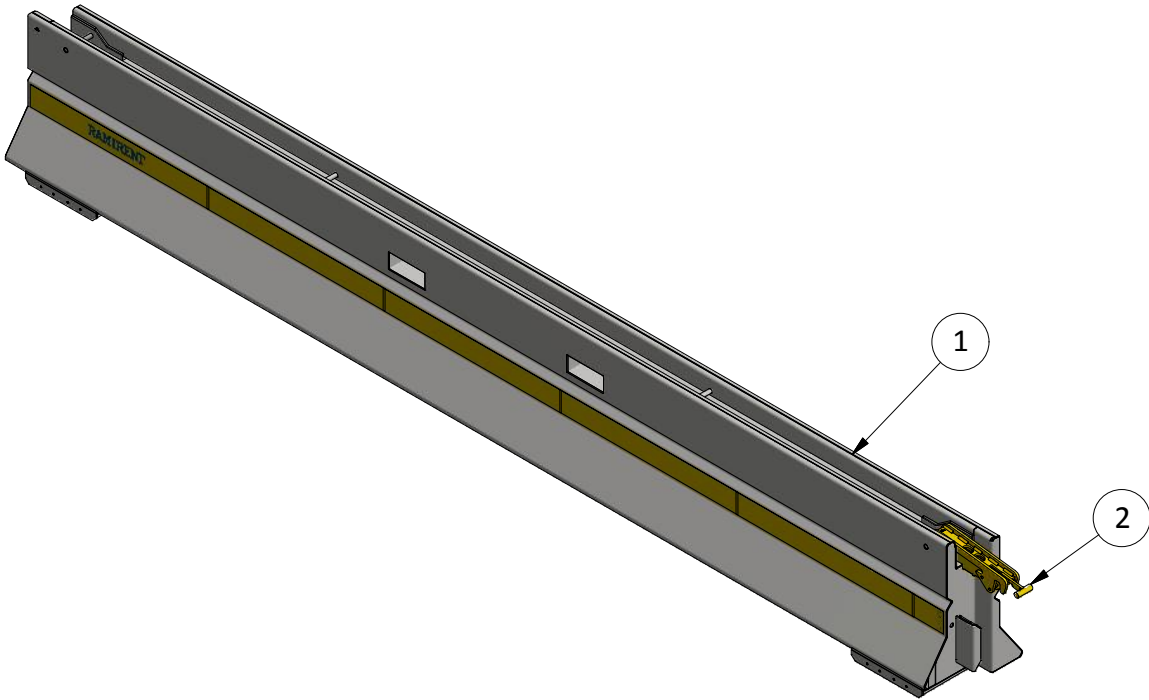
Start by carrying out a general control:  
*M-Guide SafePass General*

Art nr 9-760-03-001  
Created by: HS  
Approved by: JS  
Revision: 1707

Index	Control	Action
A	Are there any cracks/damage/deformations around the locking pin and/or the reinforcement plates?	Scrap barrier
B	Are there any cracks/damage/deformations around the barrier end that can affect interconnection between barriers?	Scrap barrier
C	Are there any damages to the barrier that could cause injuries/lacerations?	Adjust/scrap barrier
D	Are there any deformations to the service channel that hinder use of accessories?	Adjust/scrap barrier
E	Are there any cracks/damage/deformations on the connector?	Replace
F	Does the connector function properly - is it possible to slide in/out and does the lever arm run smoothly?	Adjust/replace/lubricate
G	Are there any deformation to the sheet metal in areas that does not affect interconnection/performance of the barrier system?	Adjust as necessary
H	Are the rubber feet intact? (8 per barrier)	Add feet/replace



ITEM	QTY	TITLE	ART. NO
1	1	S.P. ROAD BARRIER 5,16 m BASE UNIT	9-760-03-002
2	1	S.P. ROAD BARRIER CONNECTOR	9-760-03-030
3	8	S.P. ROAD BARRIER RUBBER FOOT	9-760-03-023
4	16	ISO 8752 - 8x38 Type A - A2 steel	6-53-1-00005



# M-GUIDE

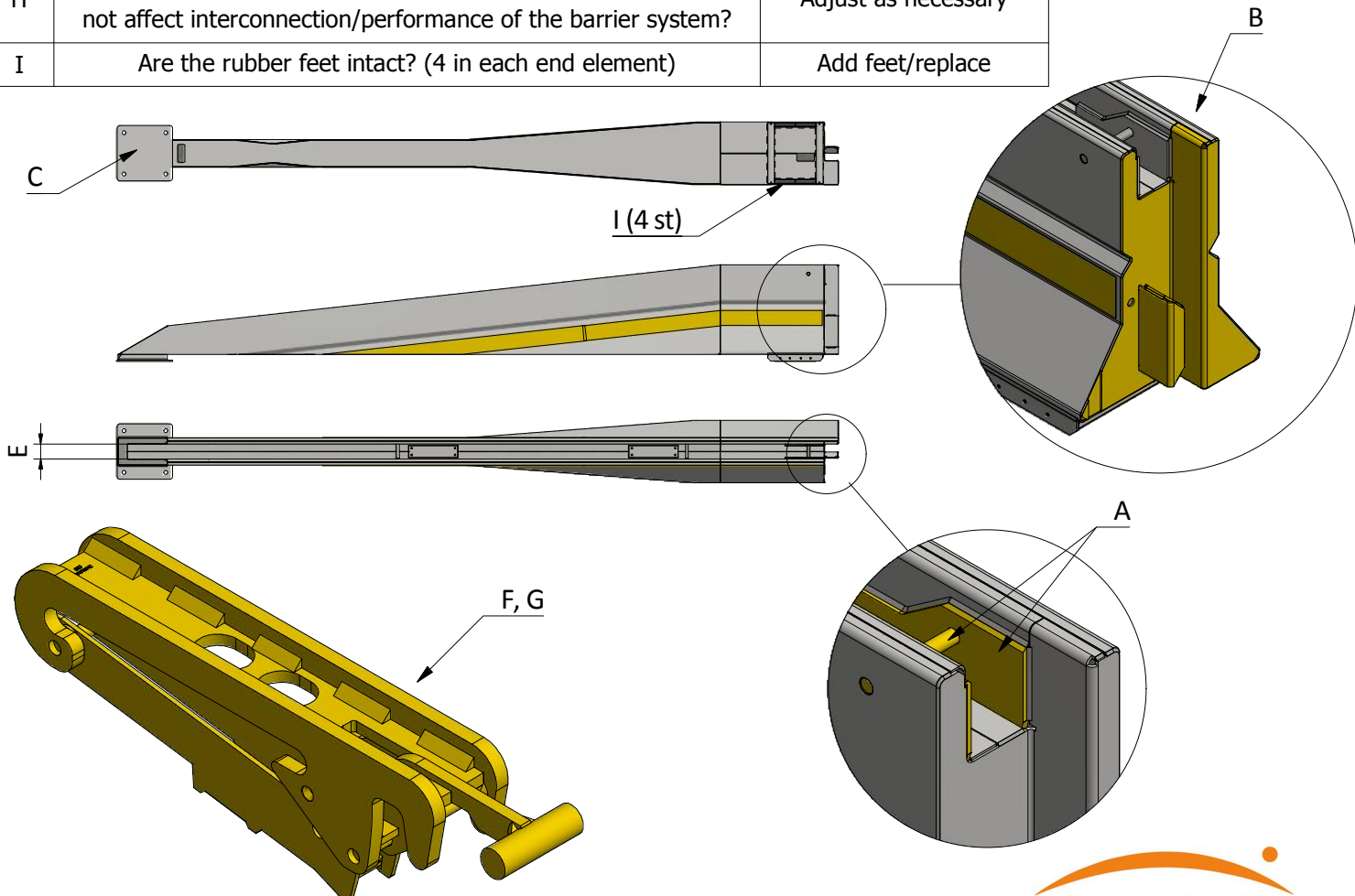
## SAFEPASS ROAD BARRIER END ELEMENT



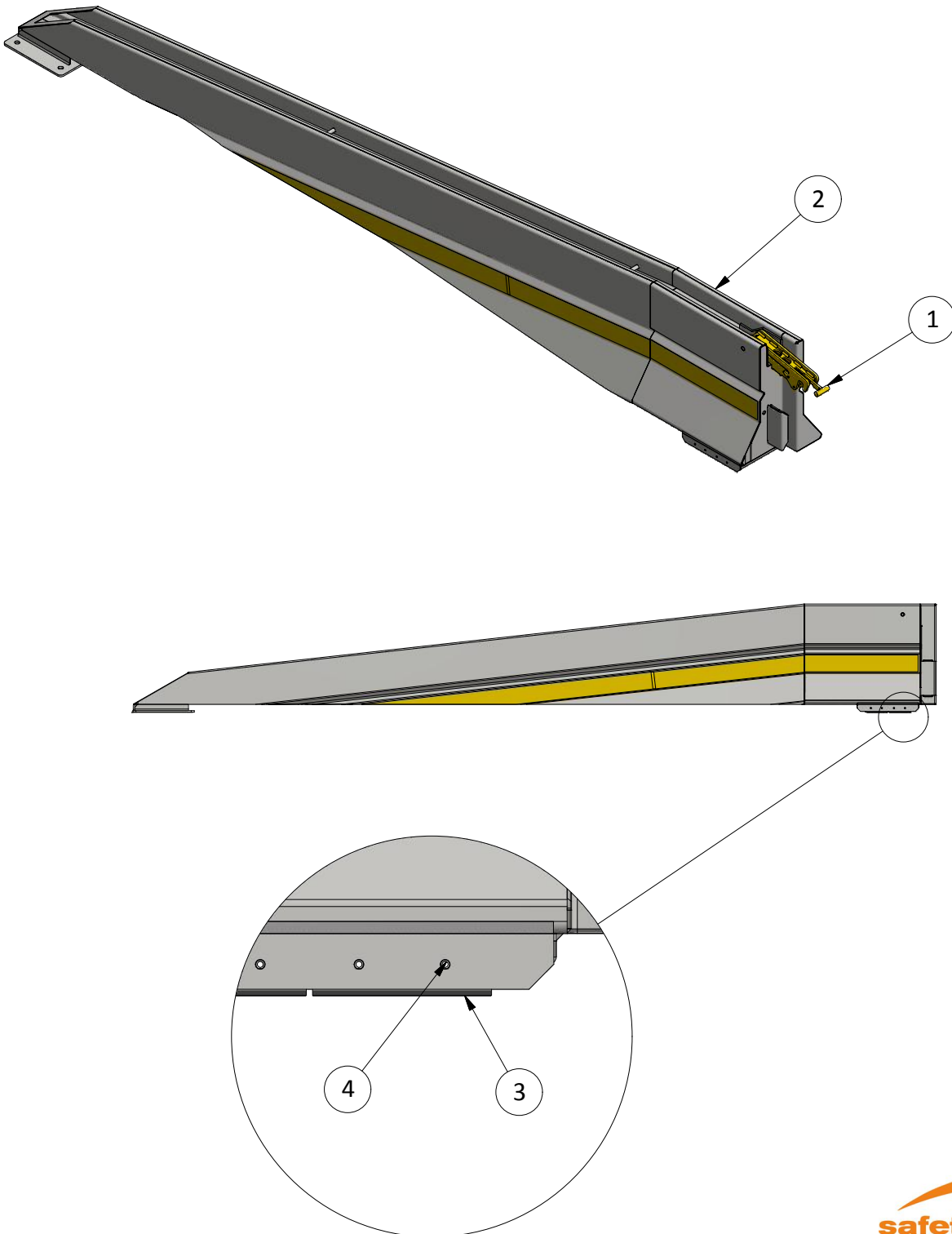
Start by carrying out a general control:  
*M-Guide SafePass General*

Art nr 9-760-03-049  
Created by: HS  
Approved by: JS  
Revision: 1708

Index	Control	Action
A	Are there any cracks/damage/deformations around the locking pin and/or the reinforcement plates?	Scrap
B	Are there any cracks/damage/deformations around the barrier end that can affect interconnection between barriers?	Scrap
C	Are there any damage to the anchor plate that could affect function/strength?	Scrap
D	Are there any damages to the barrier that could cause injuries/lacerations?	Adjust/scrap
E	Are there any deformations to the service channel that hinder use of accessories?	Adjust/scrap
F	Are there any cracks/damage/deformations on the connector?	Replace
G	Does the connector function properly - is it possible to slide in/out and does the lever arm run smoothly?	Replace/Adjust/Lubricate
H	Are there any deformation to the sheet metal in areas that does not affect interconnection/performance of the barrier system?	Adjust as necessary
I	Are the rubber feet intact? (4 in each end element)	Add feet/replace



ITEM	QTY	TITLE	ART. NO
1	1	S.P. ROAD BARRIER CONNECTOR	9-760-03-030
2	1	S.P. ROAD BARRIER END ELEMENT BASE UNIT	9-760-03-050
3	4	S.P. ROAD BARRIER RUBBER FOOT	9-760-03-023
4	8	ISO 8752 - 8x38 Type A - A2 steel	6-53-1-00005



# M-GUIDE

## SAFEPASS GENERAL



### Work environment and ergonomics

- Create an ergonomic work space
- Avoid heavy lifting
- Ensure good ventilation and use respiratory protection if necessary
- Always use personal protection equipment:

Created by: HS  
Approved by: JS  
Revision: 1707



### Tools

- Gantry, truck or similar
- Pressure washer
- Suitable lubricating oil

### Recycling

Products or part of products shall be recycled to the extent possible.



### General maintenance instructions

The following instructions generally apply to all products where they are applicable:

- Use this manual together with the product specific instructions
- Only cold working is allowed when adjusting material
- Never adjust material that has been so damaged that cracks, dents or creases has occurred
- When adjusting material - no racks, dents or creases is allowed to occur
- Check welds for cracks or other damage
- Clean products as necessary
- Replace rusty products
- Replace labels/decals as necessary