

End Terminal

SMA T 2

Redirective

Tested at 80 km/h according to the
ENV 1317-4

Easy Installation

Simple Restoration

No maintenance required

Highest level of safety

Reduced space

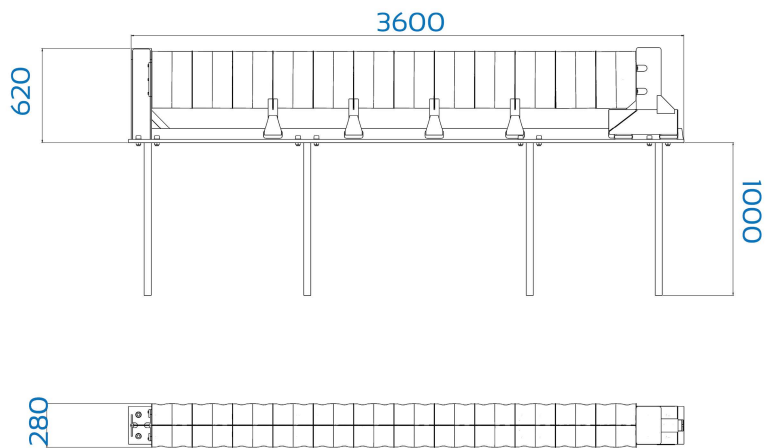


Totally made of steel (Fire Safety Class 0)

www.smaroadsafety.com
[youtube:user/attenuatoriurtoSMA](https://www.youtube.com/user/attenuatoriurtoSMA)



CSI
CERTIFICAZIONE E TESTING



SMA T 2

SMA T 2

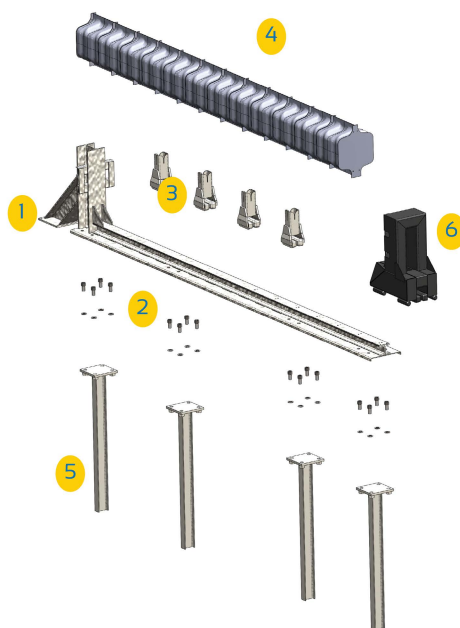
Redirective

“The” Energy Absorbing, Bi-directional and Double sided End Terminal.

SMA T 2 has been tested according to the prEN 1317-7.



The base structure (1), completely made of electro-welded steel, includes a 6 mm thick sheet and a railway (2) for the slip of the sliding piece connected to the pins (3) of the Crashboxes (4). The End Terminal is screwed on the plates which are welded on six steel posts (5), driven into the soil through a pile driver. The front part of the device presents a steel head which slips along the monorail guide (6). After the collision, (4) the Crashboxes are crushed, dissipating the kinetic energy coming from the impact.



SMA T 2 is installed through posts both on the soil and on the asphalt

Available models

	SMA T 2
Length	3600 mm
Height from the soil	620 mm
Width	280 mm