
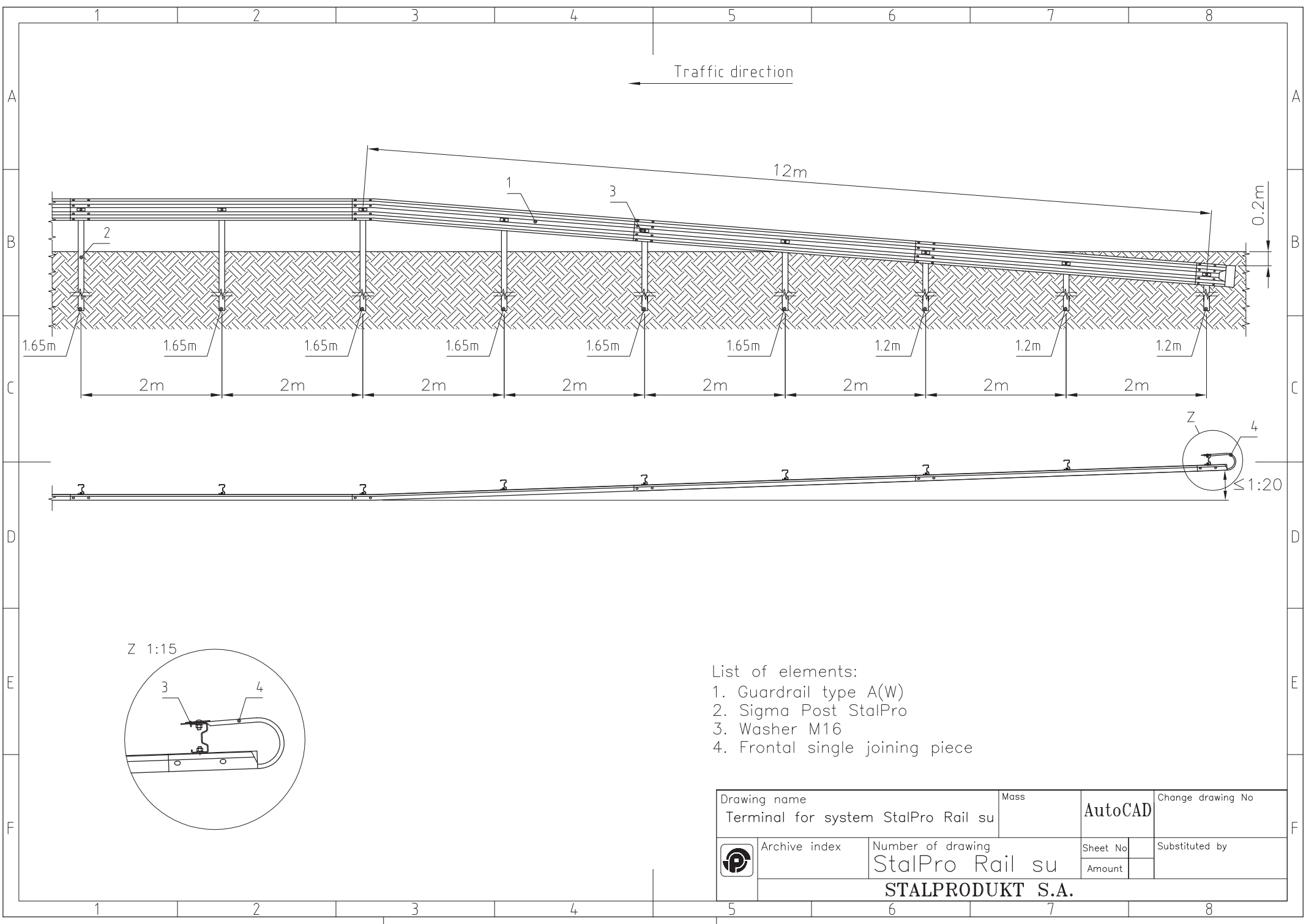


Drawing name Single side safety barrier StalPro Rail su (Single section)		Mass	AutoCAD	Change drawing No
 Archive index	Number of drawing StalPro Rail su		Sheet No	Substituted by
			Amount	
STALPRODUKT S.A.				

- List of elements:
1. Guardrail type A(W)
 2. Sigma Post StalPro
 3. Washer M16



Traffic direction

12m

0.2m

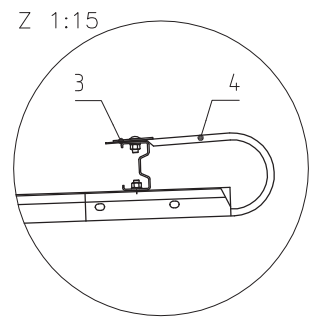
1.65m 1.65m 1.65m 1.65m 1.65m 1.65m 1.2m 1.2m 1.2m

2m 2m 2m 2m 2m 2m 2m 2m 2m


Z

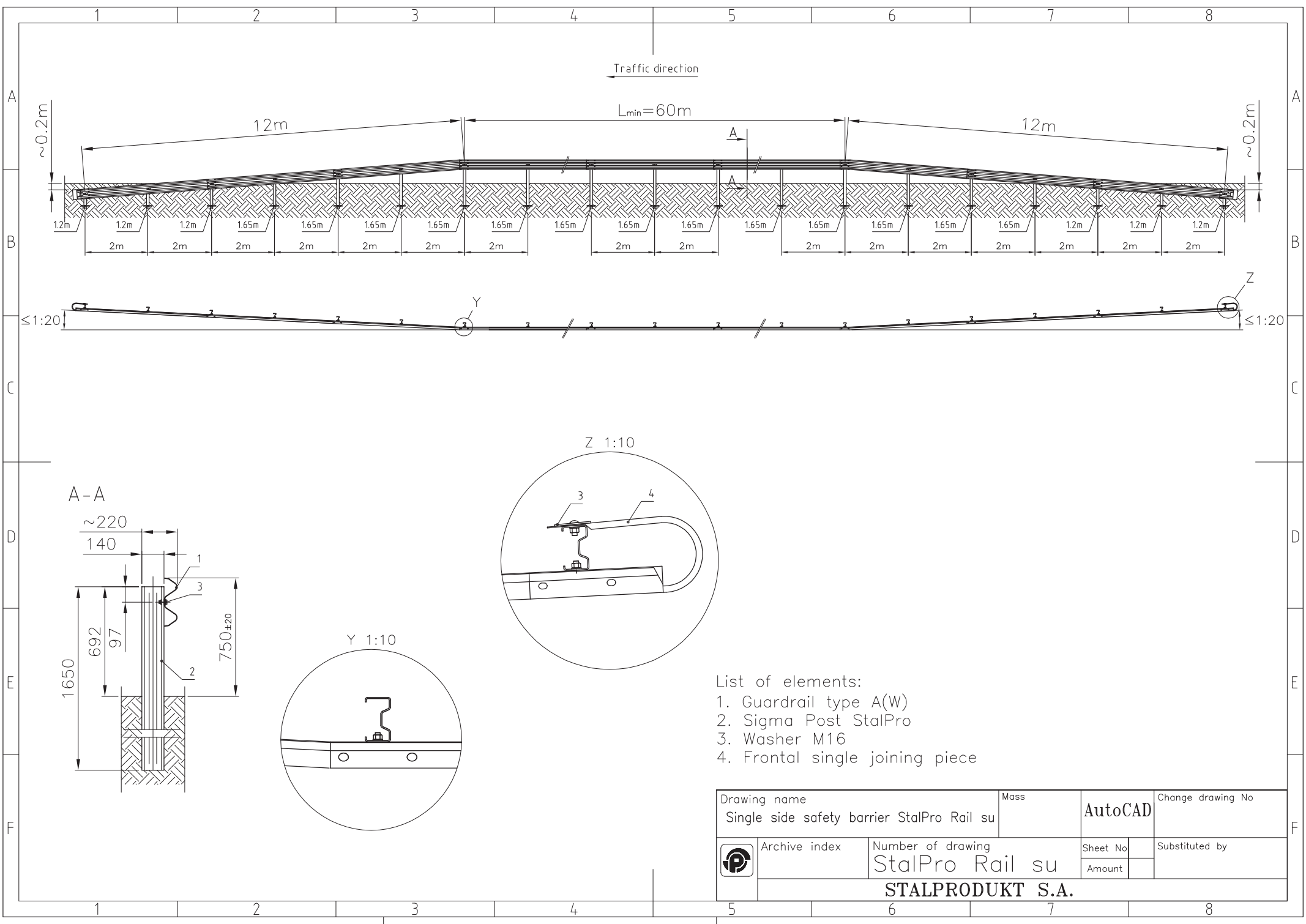
4

≤ 1:20



- List of elements:
1. Guardrail type A(W)
 2. Sigma Post StalPro
 3. Washer M16
 4. Frontal single joining piece

Drawing name		Mass	AutoCAD		Change drawing No
Terminal for system StalPro Rail su					
	Archive index	Number of drawing		Sheet No	Substituted by
		StalPro Rail su		Amount	
STALPRODUKT S.A.					



Traffic direction

$L_{min} = 60m$

12m

12m

~0.2m

~0.2m

≤ 1:20

≤ 1:20

Z 1:10

A-A

~220

140


692
97
1650

750±20

Y 1:10

List of elements:

1. Guardrail type A(W)
2. Sigma Post StalPro
3. Washer M16
4. Frontal single joining piece

Drawing name Single side safety barrier StalPro Rail su		Mass	AutoCAD	Change drawing No
	Archive index	Number of drawing StalPro Rail su		Sheet No
				Amount
STALPRODUKT S.A.				