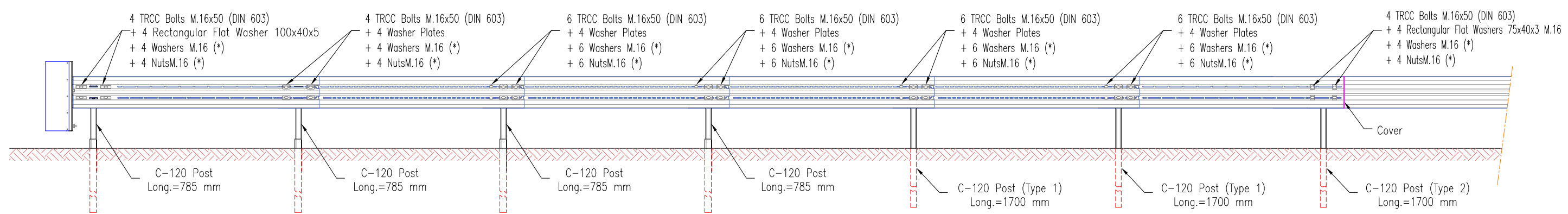
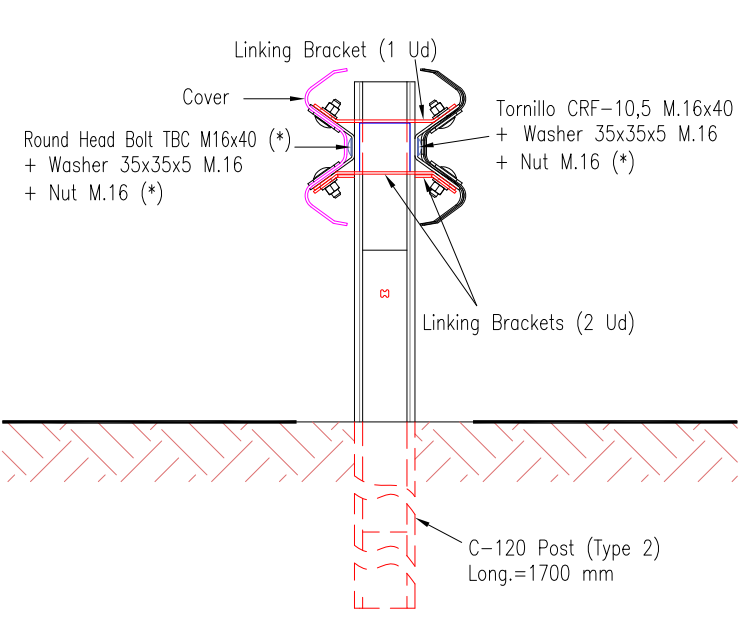


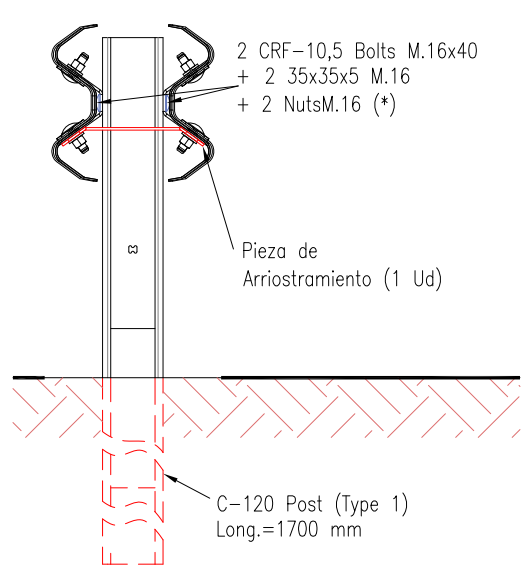
-ELEVATION FRONT-
SCALE 1:40



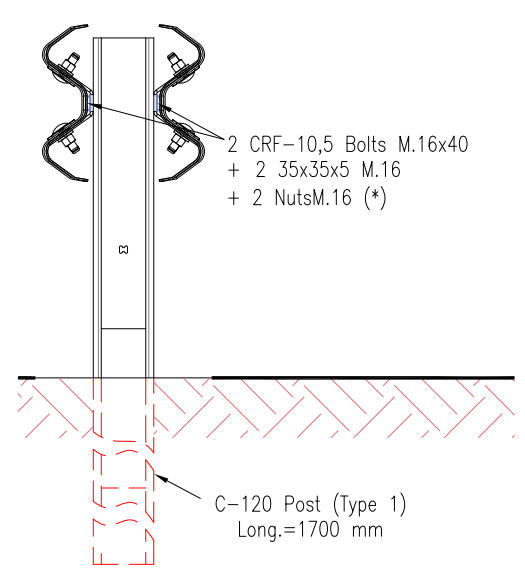
-ELEVATION REAR -
SCALE 1:40



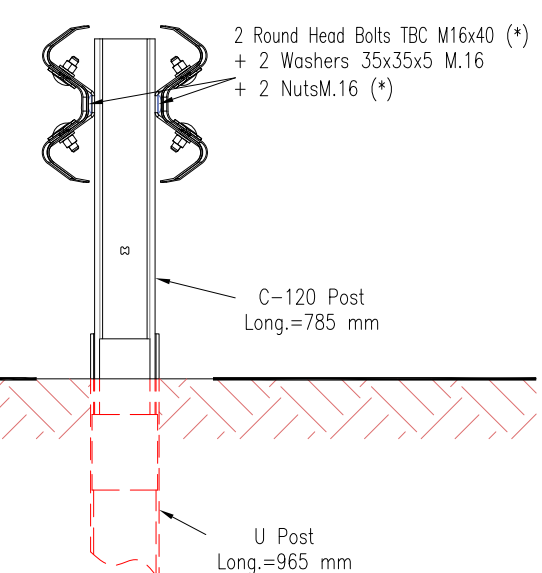
SECTION A-A'
SCALE 1:15



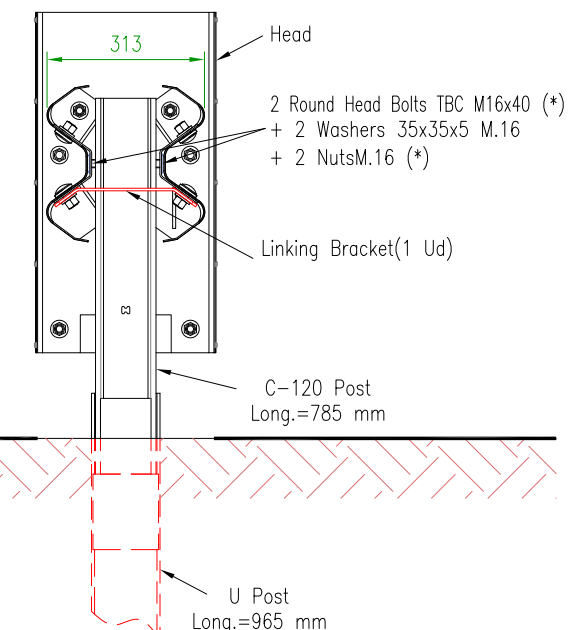
SECTION B-B'
SCALE 1:15



SECTION C-C'
SCALE 1:15



SECTION D-D'
SCALE 1:15



SECTION E-E'
SCALE 1:15

Dimensions in mm

Note (informative):
Round Head Bolt TBC M.16x40
Washer M.16 (*)

Material complying the Spanish
Standard UNE 135122

Note (informative):
Nut M.16 (*) } Material complying the Spanish Standard UNE 135122 (UNE-EN ISO 4034)

	DATE	NAME	SIGNATURES
Draw	23-03-2020	Beatriz Rubio B.	
Review	23-03-2020	Diego Santiago G.	
Accept	23-03-2020	Antonio Amengual P.	
SCALE	ENERGY ABSORBING TERMINAL "TAE H-110M"		
1:15	GENERAL DRAWING		
1:40			

Tel: +34 985 126200
 +34 983 990468
 info@roadsteel.com
 http://www.roadsteel.com

Drawing N°: TAEH110M-230320-0-001b

Replace to: TAEH110M-230320-0-001a

Replaced for: