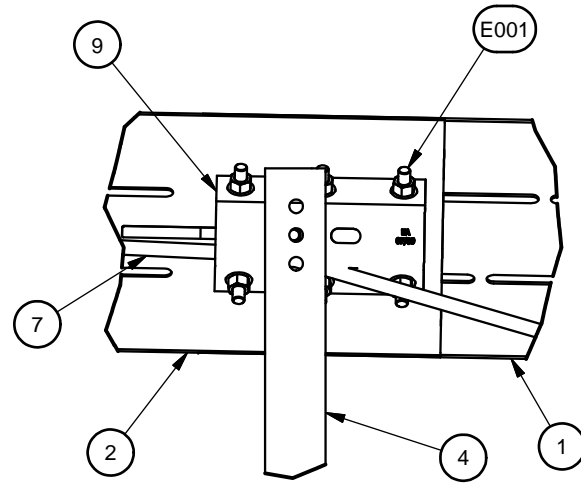
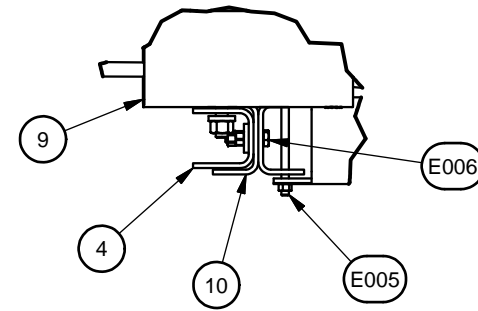


**DETAIL A**



**DETAIL B**

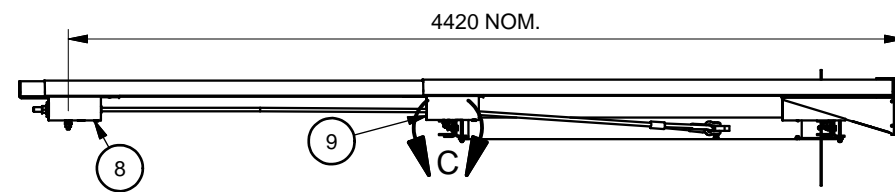


**DETAIL C**

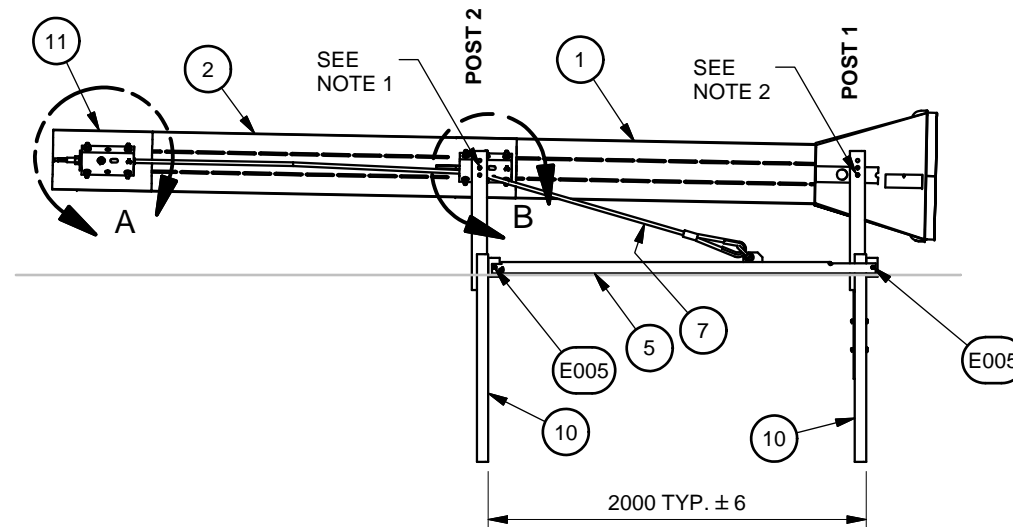
TOLERANCES PER  
EAS-SF-001, UNLESS  
OTHERWISE SPECIFIED.  
DO NOT SCALE DRAWING

115118B

PARTS LIST				
ITEM	STOCK NO.	DESCRIPTION	QTY.	
1	610138B	HEAD/RAIL,TE,G,W/DECALS	1	
2	613550G	RAIL,W-SHAPE,2323,G	1	
3	604465G	BACKING PLATE,POST,TE,G	2	
4	612781G	POST,UPPER,735,TE,G	2	
5	614927G	STRUT,TE,G	1	
6	614481G	SOIL PLATE,TE,G	1	
7	605792B	CABLE ASSY,W/SHACKLE,3620,TE	1	
8	614512G	SPACER,CABLE ANCHOR,TE,G	1	
9	614531G	SPACER,POST/RAIL/CABLE,TE,G	1	
10	612692G	POST,LOWER,FRONT,1100,TE,G	2	
11	613554G	RAIL,W/FIN,W-SHAPE,525,G	1	
12	617000G	WASHER,BAR,1/4X2X89M,W/SLOT,G	1	
13	115278B	INSTALLATION INSTRUCTIONS,TREND CEN	1	
E001	116594B	RAIL BOLT ASSY,THK WASHER,E001	13	
E004	115215G	HX BOLT ASSY,M10X80,E004	2	
E005	115214G	HX BOLT ASSY,M10X130,E005	2	
E006	115216G	HX BOLT ASSY,M12X50,E006	2	



**PLAN**



**ELEVATION - DEPARTURE SIDE**

**NOTES:**


1. ATTACH SPACER, ITEM 9 IN MIDDLE HOLE OF UPPER POST NUMBER 2. CABLE, ITEM 7, PASSES THROUGH HOLE IN SPACER, ITEM 9.
2. ATTACH HEAD/RAIL, ITEM 1 IN LOWER HOLE OF UPPER POST NUMBER 1. SEE SHEET 2 FOR DETAILS OF GUARDRAIL AND HEAD HEIGHT.

Revision	ECO	Date	Rev	By	Chk.	App.
UPDATED PARTS LIST DESCRIPTIONS	2849	01/26/10	A	BSS	DPH	PLK
PART NO. WAS TP21D, CHANGED DESC., WASHER BAR (ITEM 12) QTY. WAS 2	3167	07/27/11	B	BSS	JME	PLK

DRAWN: P. Leonhardt	DATE: 10/16/2009
DESIGNED: P. Leonhardt	DATE: 10/16/2009
CHECKED: K. Mortensen	DATE: 12/14/2009
APPROVED: P. Leonhardt	DATE: 12/16/2009

UNLESS OTHERWISE NOTED, ALL DIMENSIONS ARE IN MILLIMETERS.  
DIMENSIONS ACCORDING TO ASME Y14.5M-1994 UNLESS OTHERWISE SPECIFIED.

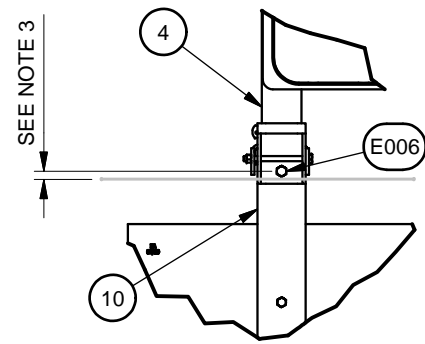
MODEL NO. 615793B



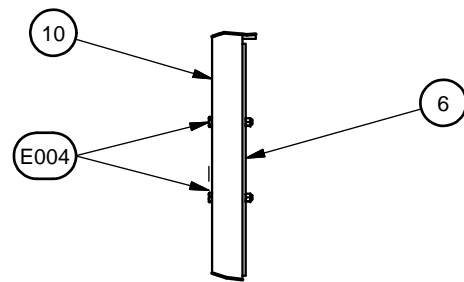
**ENERGY ABSORPTION SYSTEMS, INC.**  
ENGINEERING AND RESEARCH DEPARTMENT

**TREND CEN**  
P2 WITH DRIVEN POSTS

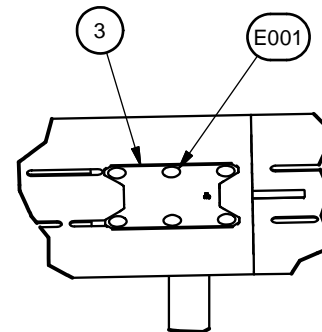
DRAWING: 615793	SHEET: 1 of 2	REV: B
--------------------	------------------	-----------



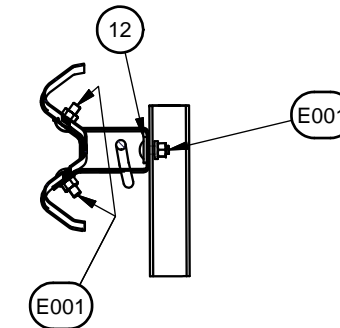
**DETAIL D**



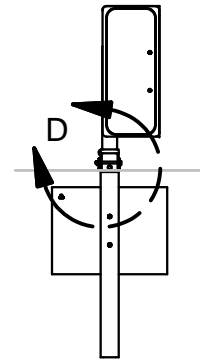
**DETAIL E**



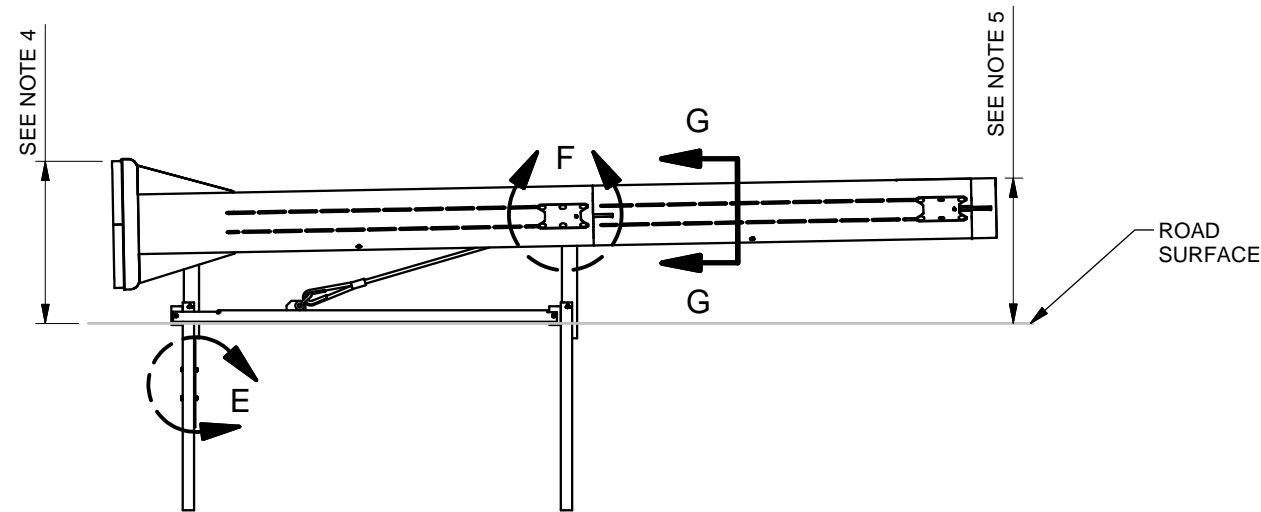
**DETAIL F**



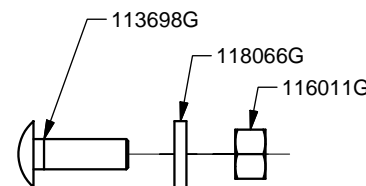
**SECTION G-G**



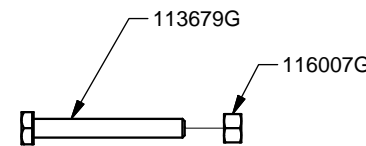
**FRONT**



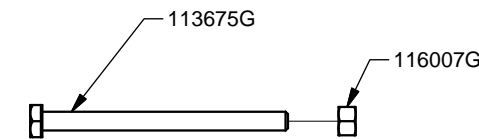
**ELEVATION - APPROACH SIDE**



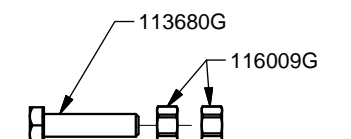
**PART NO. E001**



**PART NO. E004**



**PART NO. E005**



**PART NO. E006**

**NOTES:**


3. INSTALL LOWER POSTS, ITEM 10, SO THAT BOLT HEAD OF ITEM E006 IS 15mm +/- 15mm ABOVE GRADE.
4. NOMINAL HEIGHT OF TOP OF SYSTEM HEAD IS 860mm +0/-30mm.
5. NOMINAL SYSTEM GUARDRAIL HEIGHT TO BE 760mm +/- 30mm.

Revision	ECO	Date	Rev	By	Chk.	App.
SEE SHEET 1	2849	01/26/10	A	BSS	/	/
SEE SHEET 1	3167	07/27/11	B	BSS	/	/

DRAWN: P. Leonhardt	DATE: 10/16/2009
DESIGNED: P. Leonhardt	DATE: 10/16/2009
CHECKED: K. Mortensen	DATE: 12/14/2009
APPROVED: P. Leonhardt	DATE: 12/16/2009

UNLESS OTHERWISE NOTED, ALL DIMENSIONS ARE IN MILLIMETERS.  
DIMENSIONS ACCORDING TO ASME Y14.5M-1994 UNLESS OTHERWISE SPECIFIED.

MODEL NO. 615793B



**ENERGY ABSORPTION SYSTEMS, INC.**  
ENGINEERING AND RESEARCH DEPARTMENT

**TREND CEN**  
P2 WITH DRIVEN POSTS

DRAWING: 615793	SHEET: 2 of 2	REV: B
--------------------	------------------	-----------