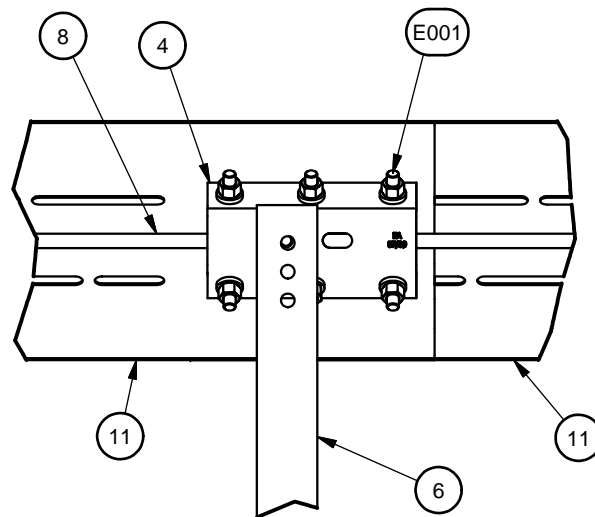
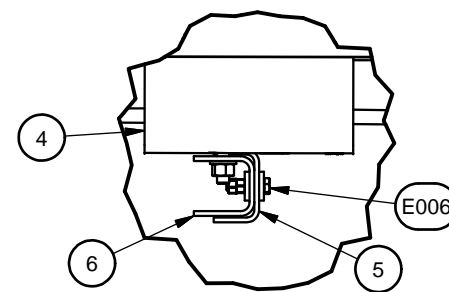


**DETAIL A**



**DETAIL B**

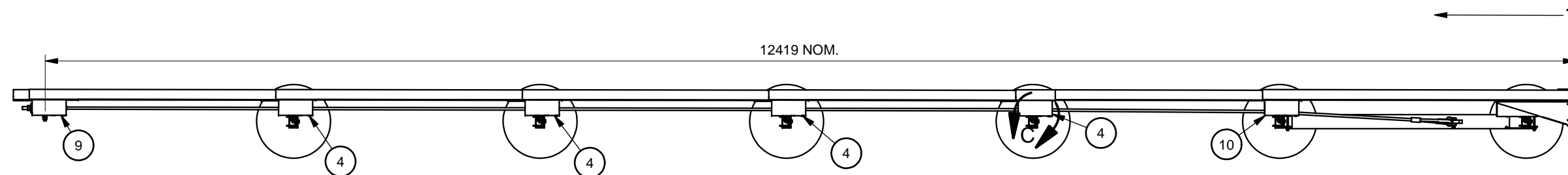


**DETAIL C**

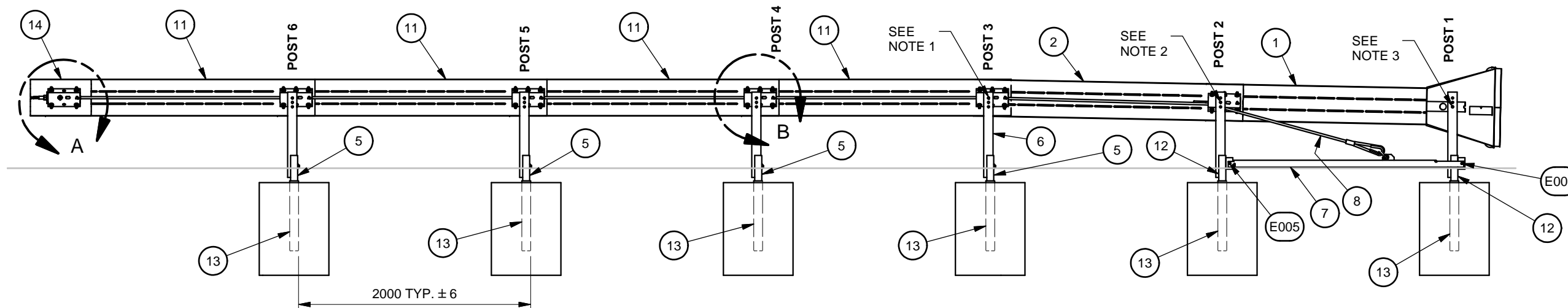
TOLERANCES PER  
EAS-SF-001, UNLESS  
OTHERWISE SPECIFIED.  
DO NOT SCALE DRAWING

PARTS LIST			
ITEM	STOCK NO.	DESCRIPTION	QTY.
1	610138B	HEAD/RAIL,TE,G,W/DECALS	1
2	613550G	RAIL,W-SHAPE,2323,G	1
3	604465G	BACKING PLATE,POST,TE,G	6
4	614529G	SPACER,POST/RAIL,TE,G	4
5	612695G	POST,LOWER,SHORT,820,TE,G	4
6	612781G	POST,UPPER,735,TE,G	6
7	614927G	STRUT,TE,G	1
8	605791B	CABLE ASSY,W/SHACKLE,11640,TE	1
9	614512G	SPACER,CABLE ANCHOR,TE,G	1
10	614531G	SPACER,POST/RAIL/CABLE,TE,G	1
11	613552G	RAIL,W-SHAPE,2323,W/FIN,G	4
12	612693G	POST,LOWER,FRONT,SHORT,820,TE,G	2
13	614474G	SOCKET,CONCRETE,TE,G	6
14	613554G	RAIL,W/FIN,W-SHAPE,525,G	1
15	617000G	WASHER,BAR,1/4X2X89M,W/SLOT,G	5
16	115278B	INSTALLATION INSTRUCTIONS,TREND CEN	1
E001	116594B	RAIL BOLT ASSY,THK WASHER,E001	41
E005	115214G	HX BOLT ASSY,M10X130,E005	2
E006	115216G	HX BOLT ASSY,M12X50,E006	6

115117B



**PLAN**



**ELEVATION - DEPARTURE SIDE**

**NOTES:**

- ATTACH SPACERS, ITEM 4 IN UPPER HOLES OF UPPER POSTS 3 THROUGH 6.
- ATTACH SPACER, ITEM 10 IN MIDDLE HOLE OF UPPER POST NUMBER 2. CABLE, ITEM 8, PASSES THROUGH HOLE IN SPACER, ITEM 10.
- ATTACH HEAD/RAIL, ITEM 1 IN LOWER HOLE OF UPPER POST NUMBER 1. SEE SHEET 2 FOR DETAILS OF GUARDRAIL AND HEAD HEIGHT.

Revision	ECO	Date	Rev	By	Chk.	App.
ADDED P4 TO DESCRIPTION	2828	12/01/09	A	BSS	KRM	PL
UPDATED PARTS LIST DESCRIPTIONS	2849	01/26/10	B	BSS	DPH	PLK
PART NO. WAS TP41C, CHANGED DESC.	3167	07/27/11	C	BSS	JME	PLK

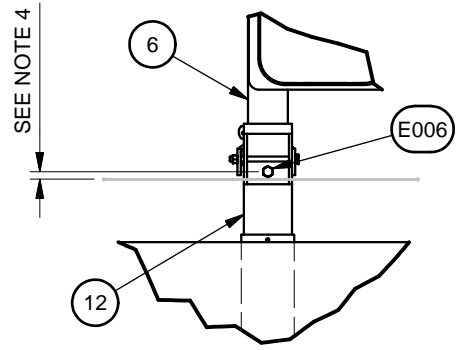
DRAWN: B. Sindorf	DATE: 7/29/2009
DESIGNED: B. Sindorf	DATE: 7/21/2009
CHECKED: J. ESPINOZA	DATE: 10/1/2009
APPROVED: M. BUEHLER	DATE: 10/1/2009

UNLESS OTHERWISE NOTED, ALL DIMENSIONS ARE IN MILLIMETERS.  
DIMENSIONS ACCORDING TO ASME Y14.5M-1994 UNLESS OTHERWISE SPECIFIED.

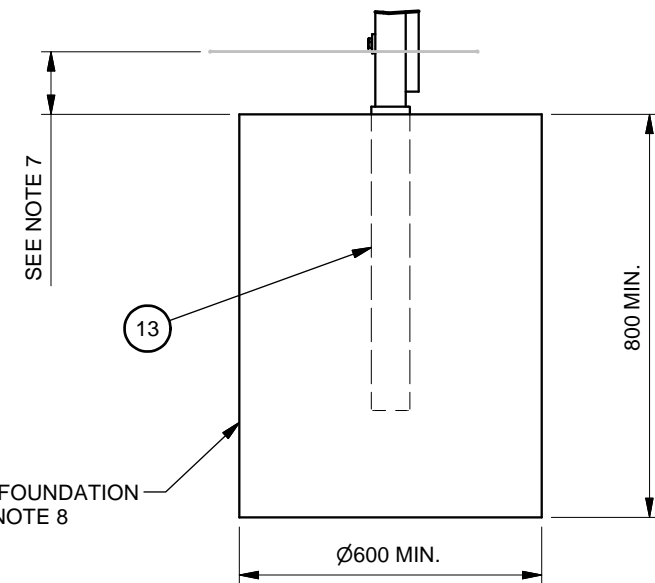


**TREND CEN  
P4 WITH CONCRETE SOCKETS**

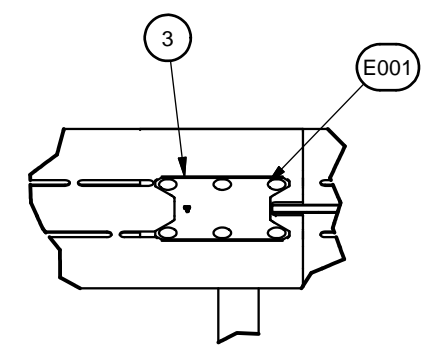
DRAWING: 615794	SHEET: 1 of 2	REV: C
--------------------	------------------	-----------



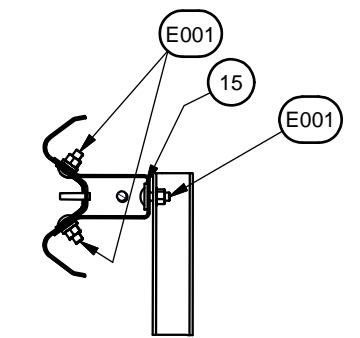
**DETAIL D**



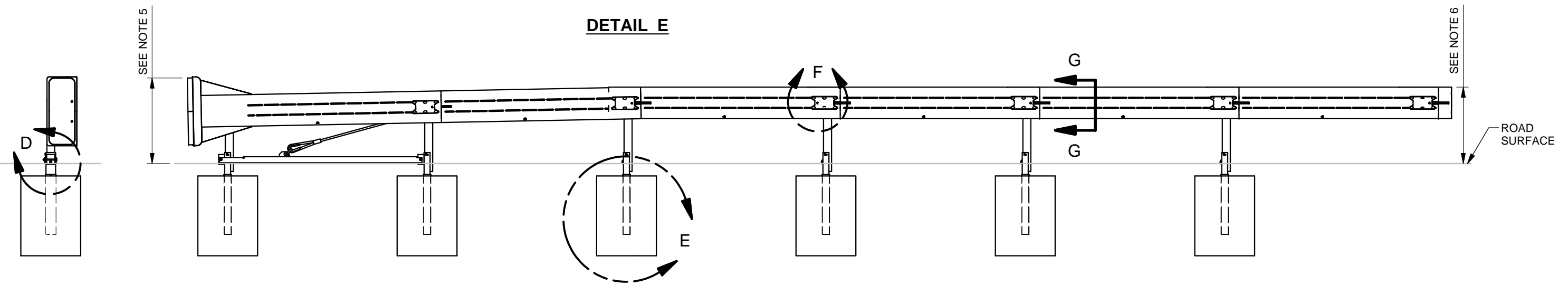
**DETAIL E**



**DETAIL F**

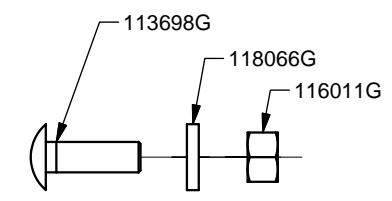


**SECTION G-G**

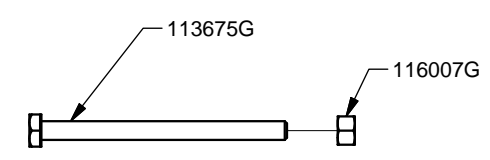


**FRONT**

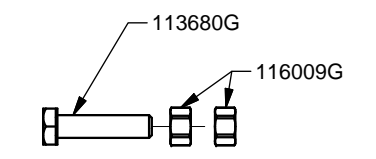
**ELEVATION - APPROACH SIDE**



**PART NO. E001**



**PART NO. E005**




**PART NO. E006**

- NOTES:
- INSTALL LOWER POSTS, ITEMS 5 AND 12, SO THAT BOLT HEAD OF ITEM E006 IS 15mm +/- 15mm ABOVE GRADE.
  - NOMINAL HEIGHT OF TOP OF SYSTEM HEAD IS 860mm +0/-30mm.
  - NOMINAL SYSTEM GUARDRAIL HEIGHT TO BE 760mm +/- 30mm.
  - NOMINAL HEIGHT OF TOP OF CONCRETE FOUNDATION TO GROUND LEVEL TO BE 125mm +15/-0mm.
  - CONCRETE TO BE MIX ST5/C25 OR EQUIVALENT.

Revision	ECO	Date	Rev	By	Chk.	App.
SEE SHEET 1	2828	12/01/09	A	BSS	/	/
SEE SHEET 1	2849	01/26/10	B	BSS	/	/
SEE SHEET 1	3167	07/27/11	C	BSS	/	/

DRAWN: B. Sindorf	DATE: 7/29/2009
DESIGNED: B. Sindorf	DATE: 7/21/2009
CHECKED: J. ESPINOZA	DATE: 10/1/2009
APPROVED: M. BUEHLER	DATE: 10/1/2009

MODEL NO. 615794B



**ENERGY ABSORPTION SYSTEMS, INC.**  
ENGINEERING AND RESEARCH DEPARTMENT

**TREND CEN**  
P4 WITH CONCRETE SOCKETS

DRAWING: 615794	SHEET: 2 of 2	REV C
--------------------	------------------	----------

UNLESS OTHERWISE NOTED, ALL DIMENSIONS ARE IN MILLIMETERS.  
DIMENSIONS ACCORDING TO ASME Y14.5M-1994 UNLESS OTHERWISE SPECIFIED.