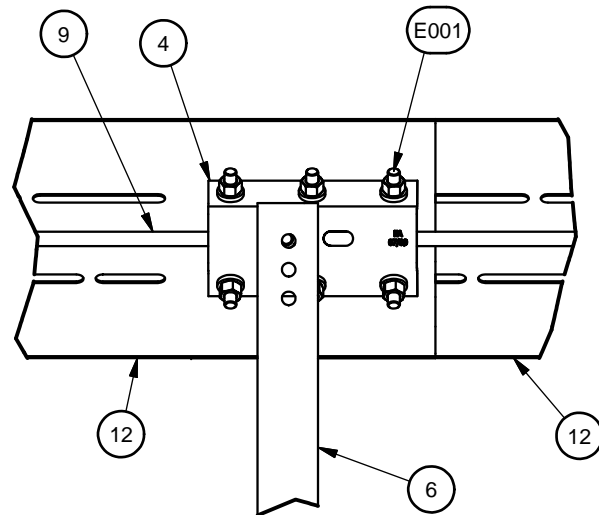
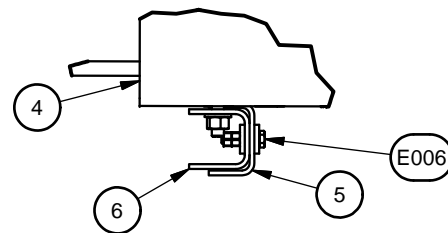


DETAIL A



DETAIL B

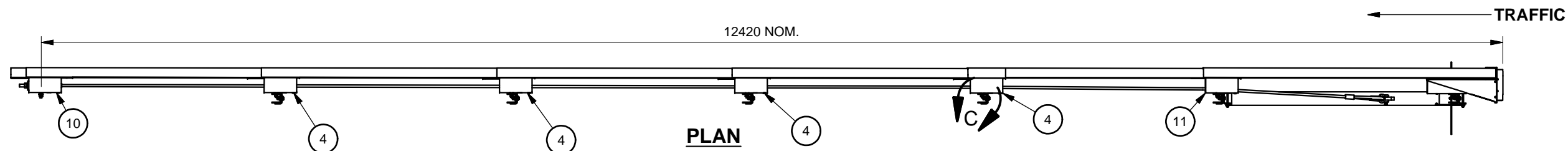


DETAIL C

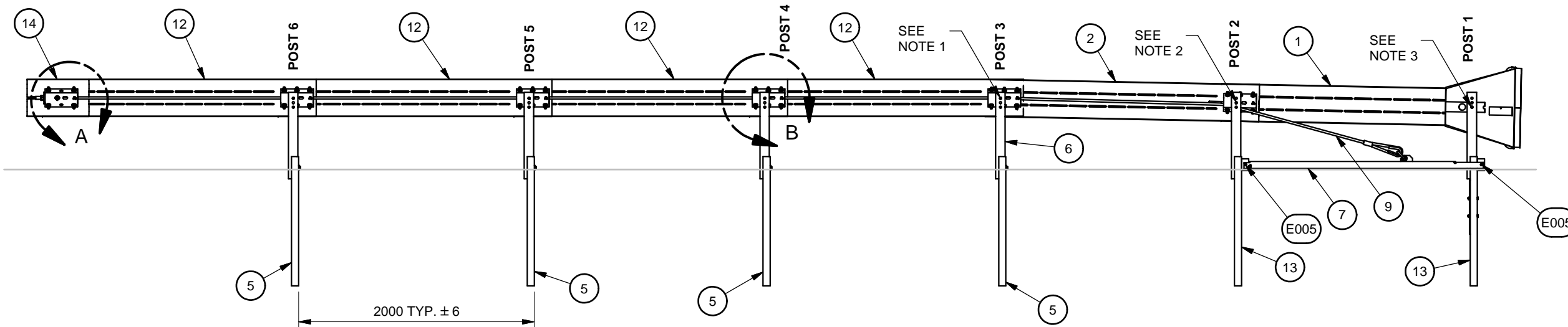
TOLERANCES PER
EAS-SF-001, UNLESS
OTHERWISE SPECIFIED.
DO NOT SCALE DRAWING

PARTS LIST			
ITEM	STOCK NO.	DESCRIPTION	QTY.
1	610138B	HEAD/RAIL,TE,G,W/DECALS	1
2	613550G	RAIL,W-SHAPE,2323,G	1
3	604465G	BACKING PLATE,POST,TE,G	6
4	614529G	SPACER,POST/RAIL,TE,G	4
5	612689G	POST,LOWER,1100,TE,G	4
6	612781G	POST,UPPER,735,TE,G	6
7	614927G	STRUT,TE,G	1
8	614481G	SOIL PLATE,TE,G	1
9	605791B	CABLE ASSY,W/SHACKLE,11640,TE	1
10	614512G	SPACER,CABLE ANCHOR,TE,G	1
11	614531G	SPACER,POST/RAIL/CABLE,TE,G	1
12	613552G	RAIL,W-SHAPE,2323,W/FIN,G	4
13	612692G	POST,LOWER,FRONT,1100,TE,G	2
14	613554G	RAIL,W/FIN,W-SHAPE,525,G	1
15	617000G	WASHER,BAR,1/4X2X89M,W/SLOT,G	5
16	115278B	INSTALLATION INSTRUCTIONS,TREND CEN	1
E001	116594B	RAIL BOLT ASSY,THK WASHER,E001	41
E004	115215G	HX BOLT ASSY,M10X80,E004	2
E005	115214G	HX BOLT ASSY,M10X130,E005	2
E006	115216G	HX BOLT ASSY,M12X50,E006	6

115116B



PLAN



ELEVATION - DEPARTURE SIDE

NOTES:

- ATTACH SPACERS, ITEM 4 IN UPPER HOLES OF UPPER POSTS 3 THROUGH 6.
- ATTACH SPACER, ITEM 11 IN MIDDLE HOLE OF UPPER POST NUMBER 2. CABLE, ITEM 9, PASSES THROUGH HOLE IN SPACER, ITEM 11.
- ATTACH HEAD/RAIL, ITEM 1 IN LOWER HOLE OF UPPER POST NUMBER 1. SEE SHEET 2 FOR DETAILS OF GUARDRAIL AND HEAD HEIGHT.

Revision	ECO	Date	Rev	By	Chk.	App.
ADDED P4 TO DESCRIPTION	2828	12/01/09	A	BSS	KRM	PL
UPDATED PARTS LIST DESCRIPTIONS	2849	01/26/10	B	BSS	DPH	PLK
PART NO. WAS TP41D, CHANGED DESC.	3167	07/27/11	C	BSS	JME	PLK

DRAWN: P. Leonhardt	DATE: 4/20/2009
DESIGNED: P. Leonhardt	DATE: 7/24/2009
CHECKED: J. ESPINOZA	DATE: 10/1/2009
APPROVED: M. BUEHLER	DATE: 10/1/2009

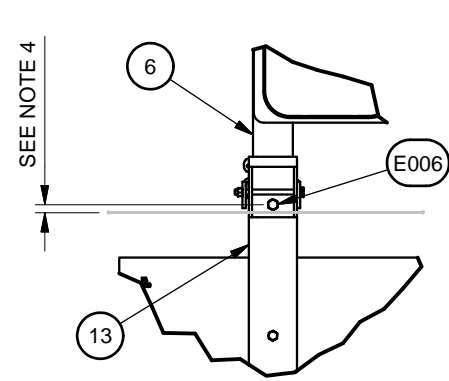
UNLESS OTHERWISE NOTED, ALL DIMENSIONS ARE IN MILLIMETERS.
DIMENSIONS ACCORDING TO ASME Y14.5M-1994 UNLESS OTHERWISE SPECIFIED.

MODEL NO. 615795B

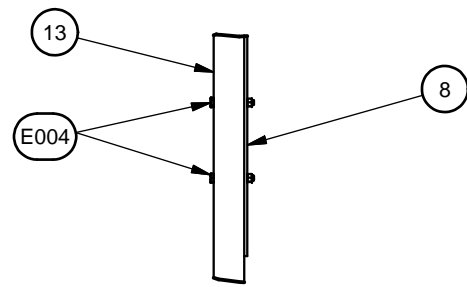
ENERGY ABSORPTION SYSTEMS, INC.
ENGINEERING AND RESEARCH DEPARTMENT

TREND CEN
P4 WITH DRIVEN POSTS

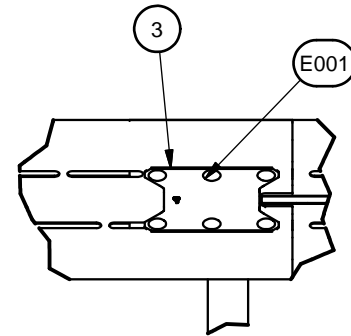
DRAWING: 615795 SHEET: 1 of 2 REV: C



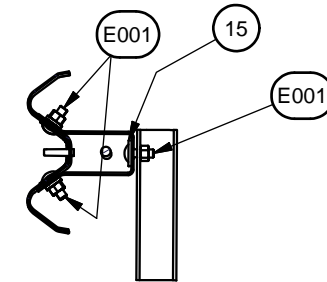
DETAIL D



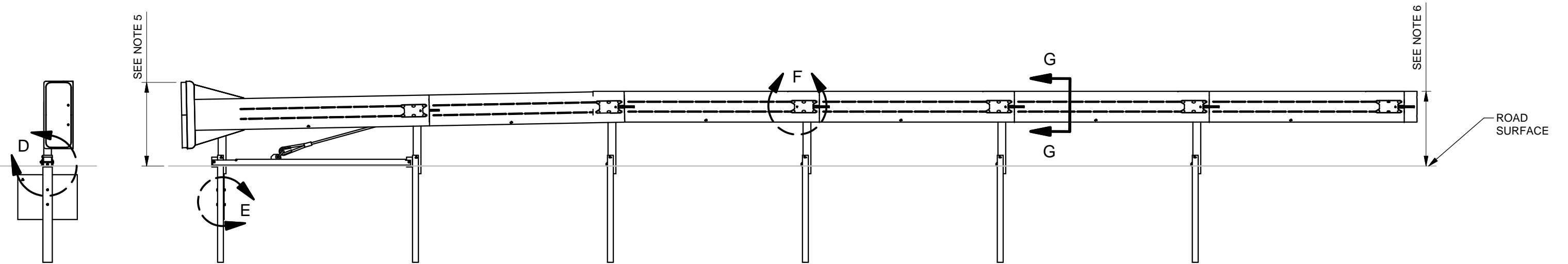
DETAIL E



DETAIL F

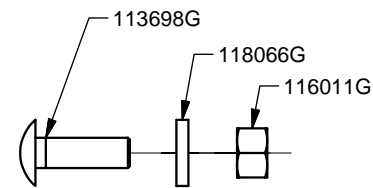


SECTION G-G

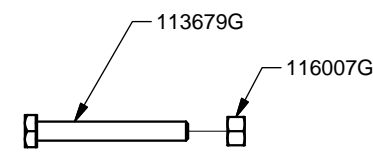


FRONT

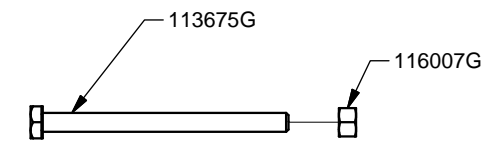
ELEVATION - APPROACH SIDE



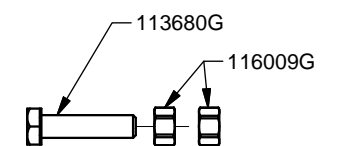
PART NO. E001



PART NO. E004



PART NO. E005



PART NO. E006

NOTES:


4. INSTALL LOWER POSTS, ITEMS 5 AND 13, SO THAT BOLT HEAD OF ITEM E006 IS 15mm +/- 15mm ABOVE GRADE.
5. NOMINAL HEIGHT OF TOP OF SYSTEM HEAD IS 860mm +0/-30mm.
6. NOMINAL SYSTEM GUARDRAIL HEIGHT TO BE 760mm +/- 30mm.

Revision	ECO	Date	Rev	By	Chk.	App.
SEE SHEET 1	2828	12/01/09	A	BSS	/	/
SEE SHEET 1	2849	01/26/10	B	BSS	/	/
SEE SHEET 1	3167	07/27/11	C	BSS	/	/

DRAWN: P. Leonhardt	DATE: 4/20/2009
DESIGNED: P. Leonhardt	DATE: 7/24/2009
CHECKED: J. ESPINOZA	DATE: 10/1/2009
APPROVED: M. BUEHLER	DATE: 10/1/2009

UNLESS OTHERWISE NOTED, ALL DIMENSIONS ARE IN MILLIMETERS.
DIMENSIONS ACCORDING TO ASME Y14.5M-1994 UNLESS OTHERWISE SPECIFIED.

MODEL NO. 615795B



ENERGY ABSORPTION SYSTEMS, INC.
ENGINEERING AND RESEARCH DEPARTMENT

TREND CEN
P4 WITH DRIVEN POSTS

DRAWING: 615795	SHEET: 2 of 2	REV: C
--------------------	------------------	-----------