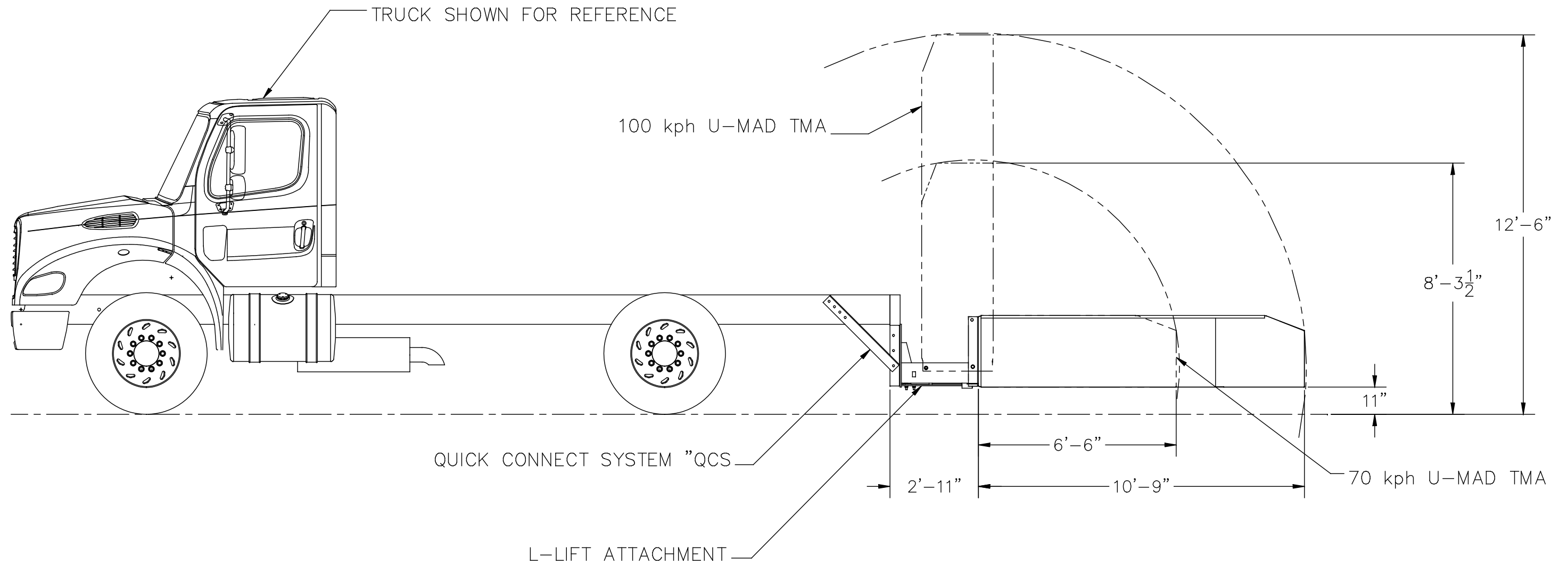


NOTES: UNLESS OTHERWISE SPECIFIED

1. U-MAD TMA TO BE INSTALLED PER MANUFACTURER'S SPECIFICATIONS.
2. LAYOUT SHOWN IS USING THE "L-LFT" AND THE "QCS" CONFIGURATION.
3. DIMENSIONS SHOWN ARE REFERENCE.



© 2006 Barrier Systems, Inc. The information hereon is proprietary to Barrier Systems Inc. and shall not be disclosed, duplicated or used otherwise without the express written approval of Barrier Systems Inc.								SCALE: 1: 40	Standard Tolerance	<b>BARRIER SYSTEMS INC</b> 180 RIVER RD, RIO VISTA, CA 94571 TEL: 707-374-6800 FAX: 707-374-6801			
								DATE	INIT.		Angular ± 1/2°		
								DRAWN BY	AEM		Fractional ± 1/16"		
	0	NEW DRAWING	7/21/08	AEM				APPR'D BY	GAD	Decimal ± .010			
REV.		CHANGES	DATE	BY	REQ'D	NEXT ASS'Y	ITEM	TITLE: U-MAD 100kph AND 70kph LAYOUT			SHEET	DRAWING NUMBER	REV.
											1 OF 1	B080795	0